

Installation
Operation
and
Maintenance
Instructions

Ice Machines

15iM (marvel)

25iM (Marvel)

250iM (Outdoor)



TABLE OF CONTENTS

Unpacking your ice machine.....	3
Removing interior packaging.....	3
Warranty Registration.....	3
Installing your ice machine.....	4
Selecting the location.....	4
Outdoor Installation	4
Winterizing	4
Cabinet Clearances.....	4
Leveling legs.....	5
Electrical Connection	5
Connecting the water supply.....	6
Using your ice machine.....	7
Turning on your ice machine.....	7
Ice machine operation.....	7
Dimensions For 15iM Solid Door.....	8
Recommended Rough in Opening Dimensions	
For 15iM Solid Door.....	8
Dimensions For 25iM Solid Door.....	9
Recommended Rough in Opening Dimensions	
For 25iM Solid Door.....	9
Dimensions For 25OiM Solid Door.....	10
Recommended Rough in Opening Dimensions	
For 25OiM Solid Door.....	10
Dimensions For 25iM Solid Overlay Door.....	11
Recommended Rough in Opening Dimensions	
For 25iM Solid Overlay Door.....	11
Full Overlay Panel Installation Instructions.....	12
Energy Saving Tips	15
Care and Cleaning.....	15
Cabinet	15
Interior	15
Defrosting instructions.....	15
Troubleshooting Guide.....	16
Obtaining Service.....	18
Household Product Warranty.....	19

Important Safety Instructions

Warnings and safety instructions appearing in this guide are not meant to cover all possible conditions and situations that may occur. Common sense, caution, and care must be exercised when installing, maintaining, or operating this appliance.

Recognize Safety Symbols, Words, and Labels.



WARNING

WARNING-Hazards or unsafe practices with high probability of personal injury or property / product damage.



CAUTION

CAUTION-Hazards or unsafe practices which could result in personal injury or property or product damage.



NOTE

NOTE-Important information to help assure a problem free installation and operation.



AGA MARVEL is committed to building a quality product in an environmentally friendly manner. Our processes are tightly controlled and closely monitored. We have achieved certifications in ISO 9001 for quality assurance, ISO 14001 for environmental management, and OHSAS 18001 for occupational health and safety from Lloyd's Register Quality Assurance.

UNPACKING YOUR ICE MACHINE

Remove Interior Packaging

Your ice machine has been packed for shipment with all parts that could be damaged by movement securely fastened. Remove internal packing materials and any tape holding internal components in place. The owners manual is shipped inside the product in a plastic bag along with the warranty registration card, and other accessory items.

Important

Keep your carton and packaging until your ice machine has been thoroughly inspected and found to be in good condition. If there is damage, the packaging will be needed as proof of damage in transit. Afterwards please dispose of all items responsibly in particular the plastic bags which can be a suffocation hazard.

Note to Customer

This merchandise was carefully packed and thoroughly inspected before leaving our plant. Responsibility for its safe delivery was assumed by the retailer upon acceptance of the shipment. Claims for loss or damage sustained in transit must be made to the retailer.

DO NOT RETURN DAMAGED MERCHANDISE TO THE MANUFACTURER - FILE THE CLAIM WITH THE RETAILER.

CAUTION

If the unit was shipped or has been laying on its back for any period of time allow the ice machine to sit upright for a period of at least 24 hours before plugging in. This will assure oil returns to the compressor. Plugging the ice machine in immediately may cause damage to internal parts.

Warranty Registration

It is important you send in your warranty registration card immediately after taking delivery of your ice machine.

The following information will be required when registering your unit.

- Model Number
- Serial Number
- Date of Purchase
- Dealer's name and address

The model number and serial number can be found on the serial plate which is located on the bottom face inside the cabinet. See figure 1.

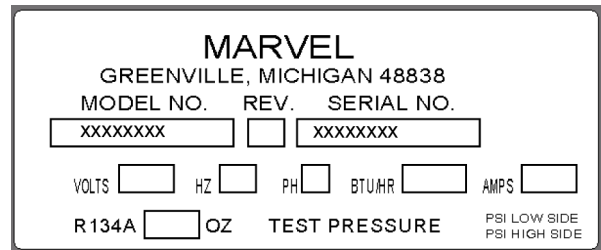


Figure 1

CAUTION

Help Prevent Tragedies

Child entrapment and suffocation are not problems of the past. Junked or abandoned refrigerators are still dangerous - even if they sit out for "just a few days".

If you are getting rid of your old refrigerator, please follow the instructions below to help prevent accidents.

Before you throw away your old refrigerator or freezer:

- Take off the doors or remove the drawers.
- Leave the shelves in place so children may not easily climb inside.

INSTALLING YOUR ICE MACHINE

Select Location

The proper location will ensure peak performance of your appliance. We recommend a location where the unit will be out of direct sunlight and away from heat sources. To assure your product performs to specifications the recommended installation location temperature range is from 65 to 90°F (18 to 32°C).

CAUTION

Outdoor Installation

Only the 250iM model is suitable for outdoor installations.

Building codes may require a ground fault circuit interrupter electrical receptacle to supply electrical power to the refrigerator for outdoor applications, (see "Electrical Connection" section).

Do not install in a location where the unit will be exposed to direct sun exposure as this may result in unsatisfactory performance.

Winterizing your Outdoor Ice Maker

In colder climates the ice maker will need to be winterized. The water fill valve needs to be disconnected from the water supply line. The water fill line from the bottom of the water fill valve will also need to be disconnected and drained.

With the fill valve disconnected and the fill line drained, leave the ice maker running and allow the unit to dump one last time to remove any ice from the trays.

If the unit is to be sitting for a prolonged period of time not running, it is advisable to dry out the tray with paper towels.

Cabinet Clearance

Ventilation is required from the bottom front section of the unit. Keep this area open and clear of any obstructions. Adjacent cabinets and counter top can be installed around the unit as long as the front grille remains unobstructed.

CAUTION

Front Grille

Do not obstruct the front grille. The openings within the front grille allow air to flow through the condenser heat exchanger. Restrictions to this air flow will result in increased energy usage and loss of cooling capacity. For this reason it is important this area to not be obstructed and the grille openings kept clean. AGA MARVEL does not recommend the use of custom made grilles as air flow may be restricted because of inadequate openings. (See Figure 2).

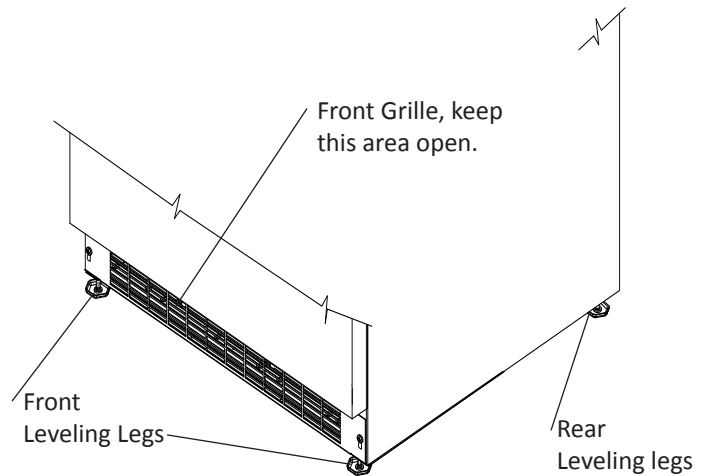


Figure 2

INSTALLING YOUR ICE MACHINE

Leveling Legs

Adjustable legs at the front and rear corners of the unit should be set so the unit is firmly positioned on the floor and level from side to side and front to back. The overall height of your Marvel refrigerator, depending on the model, may be adjusted from 24 $\frac{1}{8}$ " (61.3cm) or 33 $\frac{3}{4}$ " (85.7cm) with the leveling legs turned in, and up to 25 $\frac{1}{8}$ " (63.8cm) or 34 $\frac{3}{4}$ " (88.3cm) with the leveling legs extended.

To adjust the leveling legs, place the refrigerator on a solid surface and protect the floor beneath the legs to avoid scratching the floor. With the assistance of another person, lean the refrigerator back to access the front leveling legs. Raise or lower the legs to the required dimension by turning the legs. Repeat this process for the rear by tilting the refrigerator forward using caution to prevent the door from opening. On a level surface check the refrigerator for levelness and adjust accordingly.

The front grille screws may be loosened and the front grille adjusted to the desired height. When adjustment is complete tighten the two front grille screws. (See Figure 3).

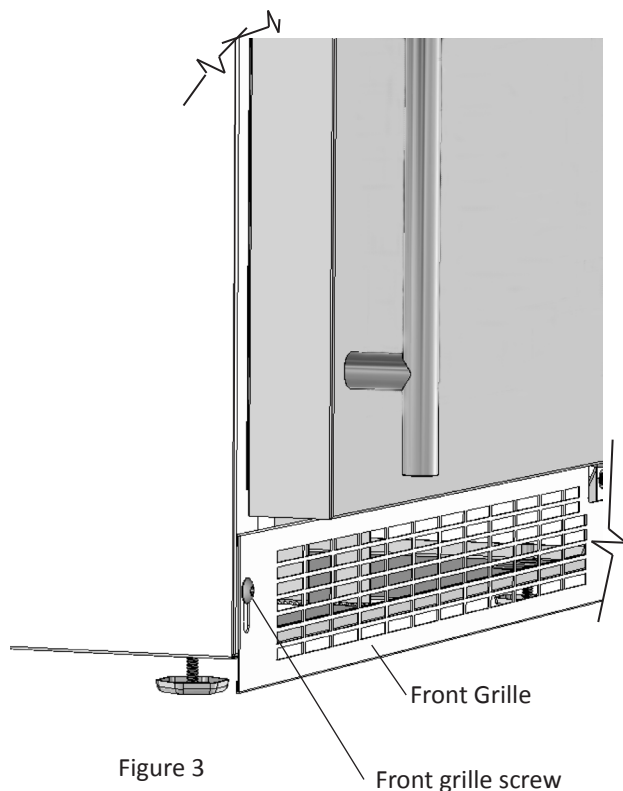


Figure 3

Front grille screw

⚠ CAUTION

- Do not splash or spray water from a hose on the ice machine! Doing so may cause an electrical shock, which may result in severe injury or death.
- This unit should not, under any circumstances, be installed to an un-grounded electrical supply.

Electrical Connection

A grounded 115 volt, 15 amp dedicated circuit is required.

This product is factory equipped with a power supply cord that has a three-pronged, grounded plug. It must be plugged into a mating grounding type receptacle in accordance with the National Electrical Code and applicable local codes and ordinances (see Figure 4). If the circuit does not have a grounding type receptacle, it is the responsibility and obligation of the customer to provide the proper power supply. The third ground prong should not, under any circumstances, be cut or removed.

⚠ CAUTION

Electrical Extension cords should not be used. They can be hazardous and cause deficient operation. The wall receptacle should be located near the product and be a polarized type with adequate ground protection. The product must be installed to your local building codes and ordinances.

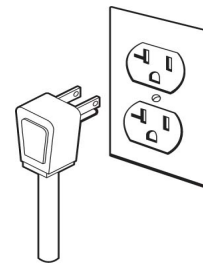


Figure 4

NOTE

Ground Fault Circuit Interrupters (GFCI) are prone to nuisance tripping which will cause the unit to shut down. GFCI's are generally not used on circuits with power equipment that must run unattended for long periods of time, unless required to meet local building codes and ordinances.

INSTALLING THE WATER SUPPLY

Water Supply

⚠ CAUTION

Observe and follow all local building codes when installing this appliance.

Attach the supplied water line adapter (Figure 6) to the water valve inlet on the back of the ice machine (See Figure 5). Be sure the rubber washer is in place in the inlet valve nut. Bend the ¼" copper tubing to suit your installation being sure not to kink the tubing. Use ¼" copper tubing for your water supply which is available at any local hardware or plumbing supply store. A shut-off valve is recommended. **NOTE: DO NOT USE A SELF-PIERCING TYPE VALVE.** Connect the copper tubing water supply to the copper tubing from the adapter assembly with the provided brass union. Secure the water supply line to the back of the cabinet with the screw and clamp provided in the corner of the back panel. (See Figure 5).

Water pressure must be at a minimum of 20 psi for proper operation and a maximum of 120 psi.

Make certain all water connections are watertight after installation. Form the tubing so that it will not vibrate against the cabinet body or kink when your ice machine is set in position.

NOTE

- Do not use any thread sealers on these water line fittings.
- Do not use a "Reverse Osmosis" Filtering Device.
- Softened water is not recommended. This will produce soft cloudy ice cubes that will stick together.
- De-ionized water is not recommended. This water will not form solid ice cubes.

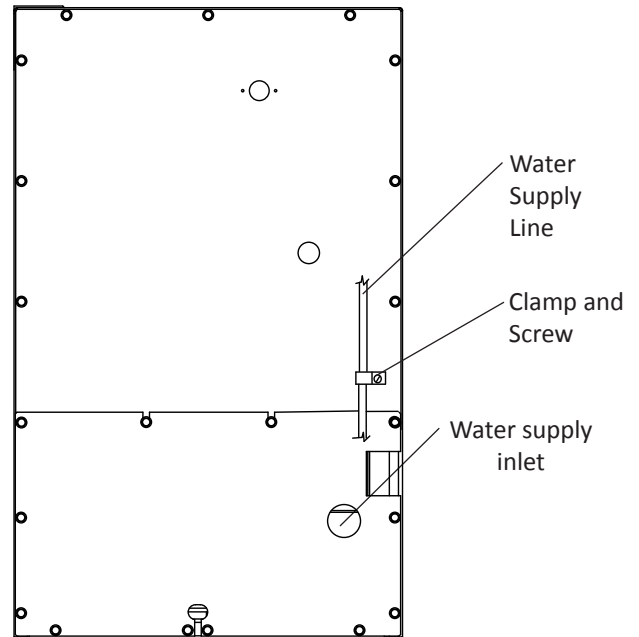
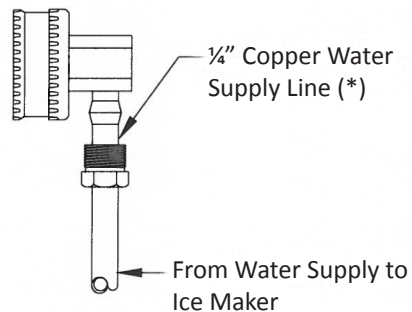
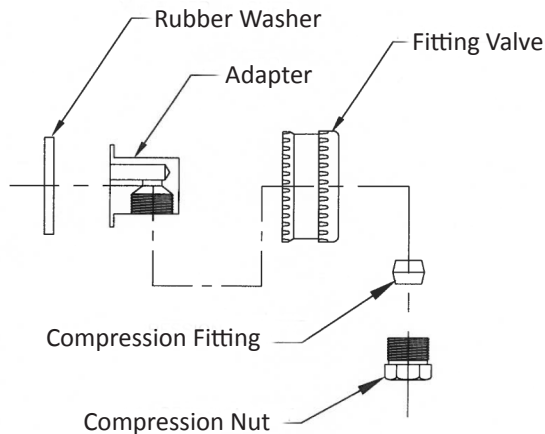


Figure 5
Back view of
ice machine



(*) Supplied by Customer

Figure 6

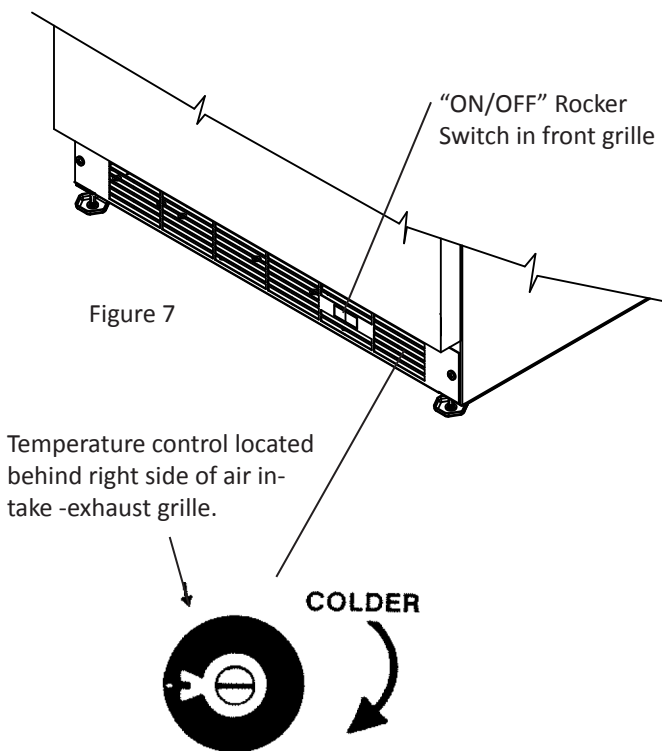
USING YOUR ICE MACHINE

Turning on the ice machine

After connecting the water supply, and setting your ice machine in place plug the power cord into the wall receptacle. Then place the switch located in the grille (see Figure 7) to the "ON" position. The temperature control is factory preset, allow the ice maker to run for 24 hours so the interior temperature will stabilize. If you wish to adjust the interior temperature use a small bladed screwdriver pushed through the right hand side of the grille to turn the temperature control shaft. Turning it clockwise will make the unit colder. Turning it counterclockwise will make it warmer. Turning it counterclockwise until it stops will shut off the compressor and fan motor.

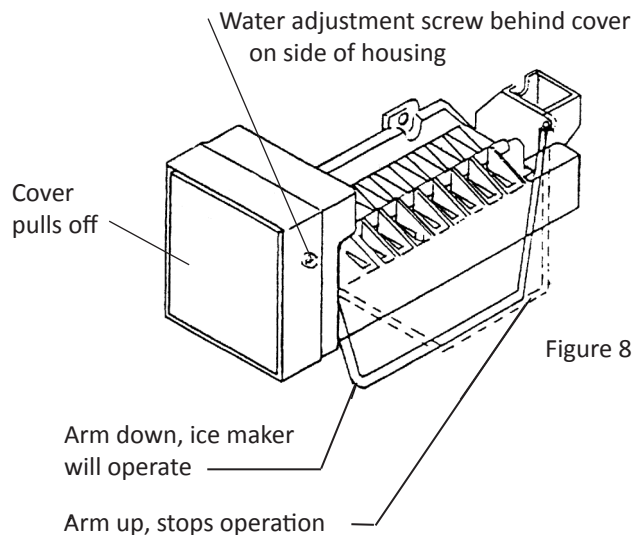
⚠ CAUTION

Should you turn off your control, allow at least five (5) minutes before restarting in order to give the motor control time to automatically reset so that it can restart the motor. Electrical power to your unit is controlled by the "ON/OFF" rocker switch located in the front grille. (See Figure 7).



Ice maker operation

- The unit must be installed level for proper ice maker operation.
- The shutoff arm wire must be down in its lowest position for the ice maker to operate.
- When the freezer section and ice maker unit has sufficiently cooled, the ice maker will harvest ice cubes automatically.
- When the ice bucket is full, the ice maker will automatically shut off.
- You may manually stop the ice maker by raising the shut off arm to the locking position at the up most position.



When operation of the appliance is to be discontinued for any length of time, the ice cube cavity in the ice maker should be emptied and dried. The water supply and power supply should also be shut off and the ice bucket should be emptied and cleaned.

If the ice is not used regularly, it will clump together with time. For best ice results, discard ice in the bin as required and allow the ice maker to make a new fresh batch of ice.

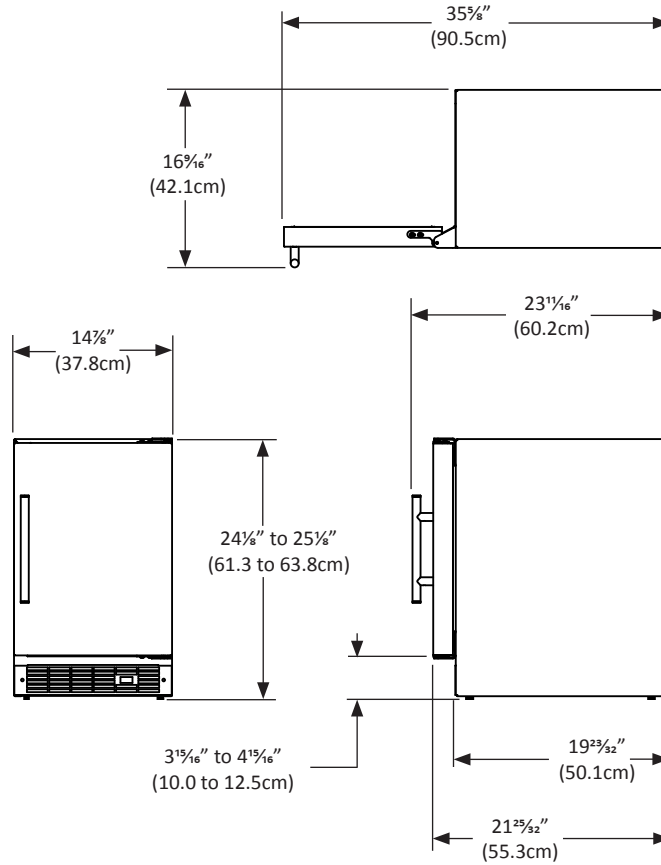
Water Fill Adjustment

If the water fill needs to be adjusted, turning the "water adjustment screw" (see Figure 9) clockwise increases the fill amount, turning it counterclockwise decreases the fill amount. One complete revolution will affect fill by 40cc.

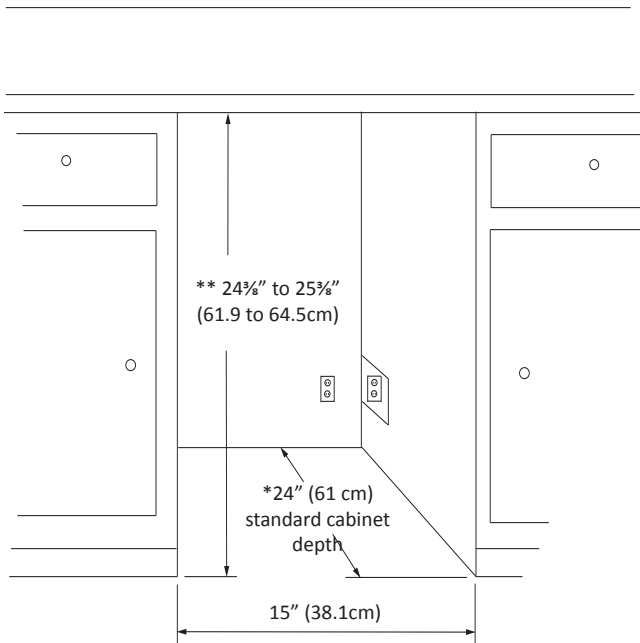
NOTE

Do not turn the "water adjustment screw" more than (1) 360° revolution in either direction. Further adjustment than (1) revolution could damage the ice maker module.

DIMENSIONS FOR MODEL 15IM SOLID DOOR



RECOMMENDED ROUGH IN OPENING DIMENSIONS, 15IM SOLID DOOR



⚠ CAUTION

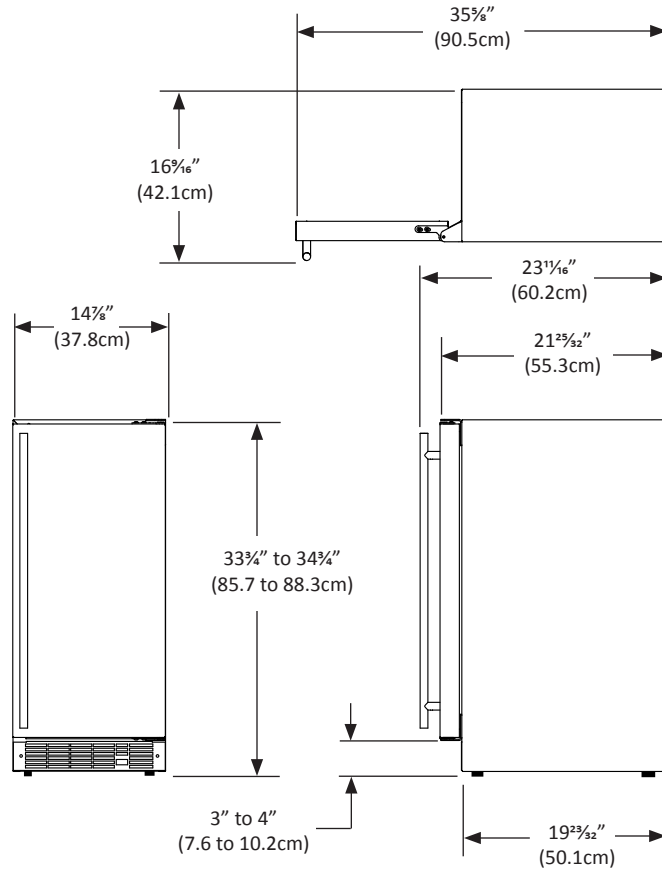
Electrical Requirements: A grounded 115 volt, 15 amp dedicated circuit is required.

Power outlet can be located in the back wall behind unit. Add 1" to depth for thickness of plug, or recess outlet 1" into the wall. Power outlet can also be installed in adjacent cabinetry with a cutout for routing of power cord. Follow all local building codes when installing electrical and unit. Product weight = 72 lbs. (32.7kg.)

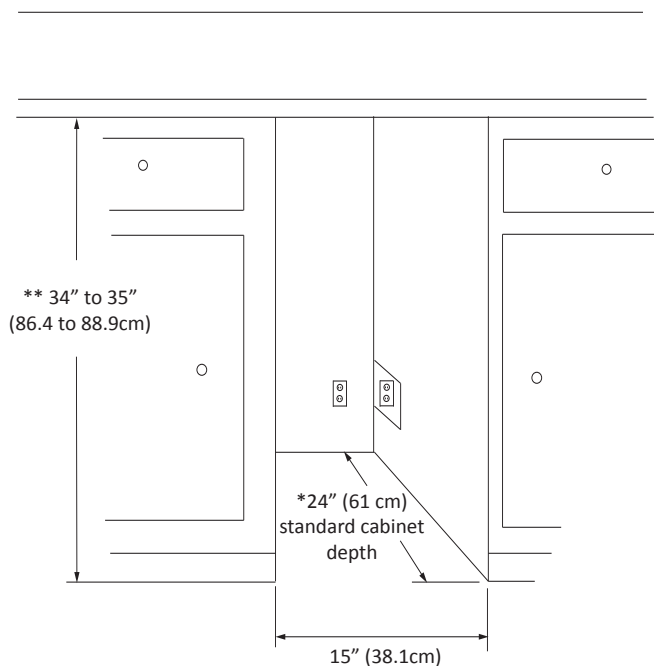
* Depth dimension may vary depending on each individual installation.

** Minimum rough in opening required is to be larger than the adjusted height of the cabinet.

DIMENSIONS FOR MODEL 25IM SOLID DOOR



RECOMMENDED ROUGH IN OPENING DIMENSIONS, 25IM SOLID DOOR



⚠ CAUTION

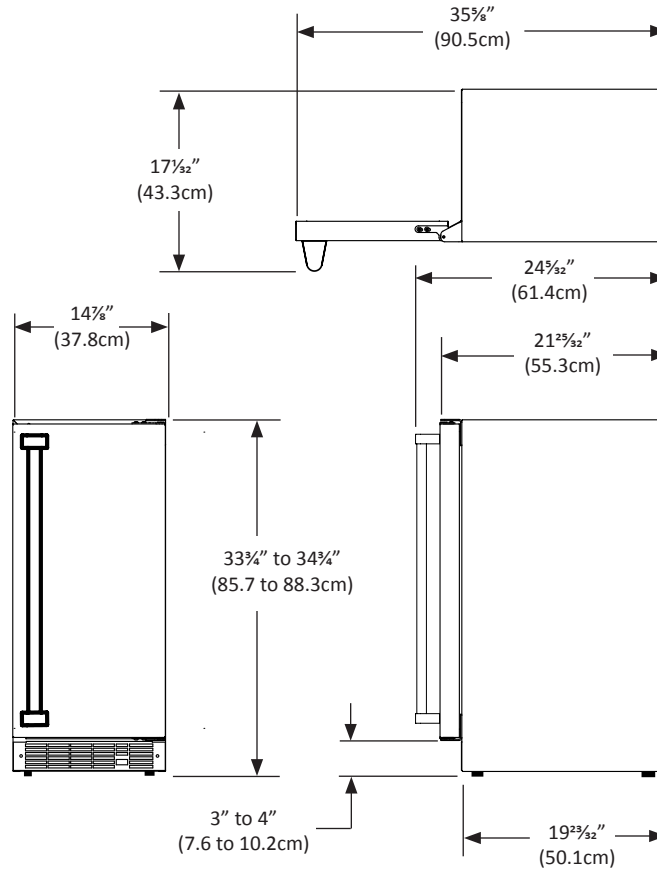
Electrical Requirements: A grounded 115 volt, 15 amp dedicated circuit is required.

Power outlet can be located in the back wall behind unit. Add 1" to depth for thickness of plug, or recess outlet 1" into the wall. Power outlet can also be installed in adjacent cabinetry with a cutout for routing of power cord. Follow all local building codes when installing electrical and unit. Product weight = 86 lbs. (39.1 kg.)

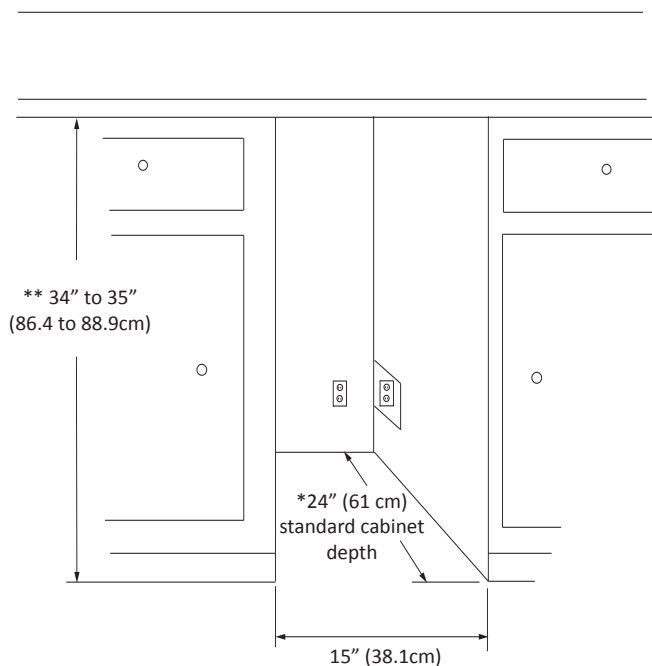
* Depth dimension may vary depending on each individual installation.

** Minimum rough in opening required is to be larger than the adjusted height of the cabinet.

DIMENSIONS FOR MODEL 250IM SOLID DOOR



RECOMMENDED ROUGH IN OPENING DIMENSIONS, 250IM SOLID DOOR



⚠ CAUTION

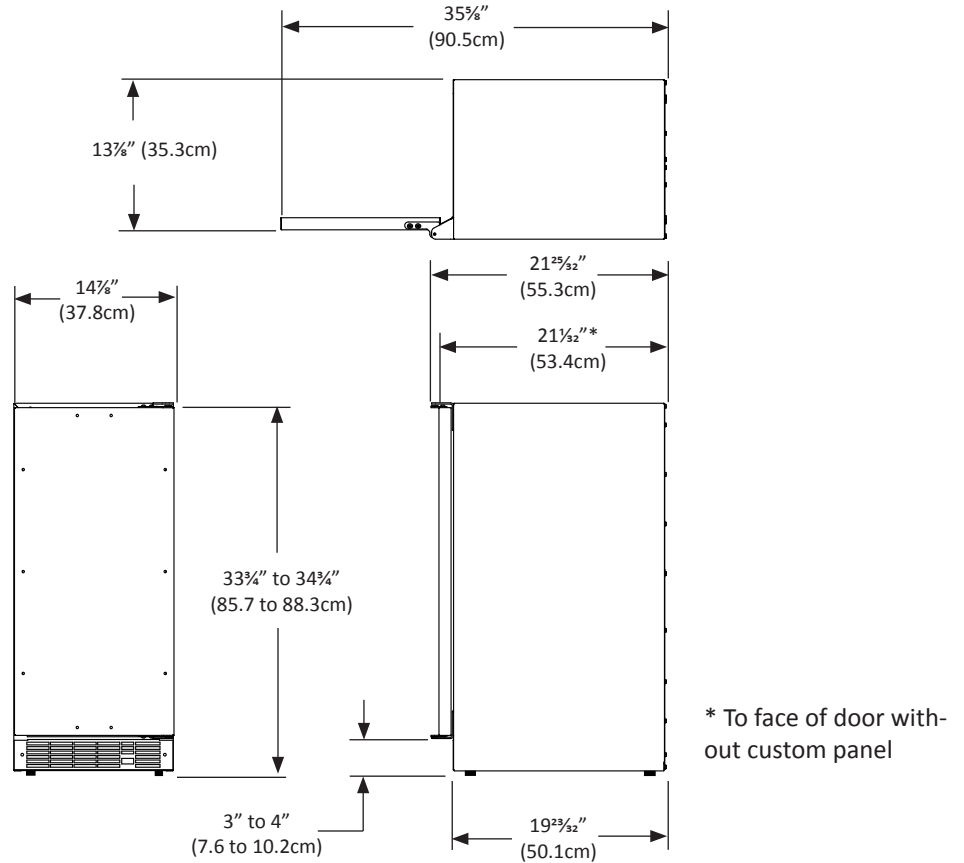
Electrical Requirements: A grounded 115 volt, 15 amp dedicated circuit is required.

Power outlet can be located in the back wall behind unit. Add 1" to depth for thickness of plug, or recess outlet 1" into the wall. Power outlet can also be installed in adjacent cabinetry with a cutout for routing of power cord. Follow all local building codes when installing electrical and unit. Product weight = 86 lbs. (39.1 kg.)

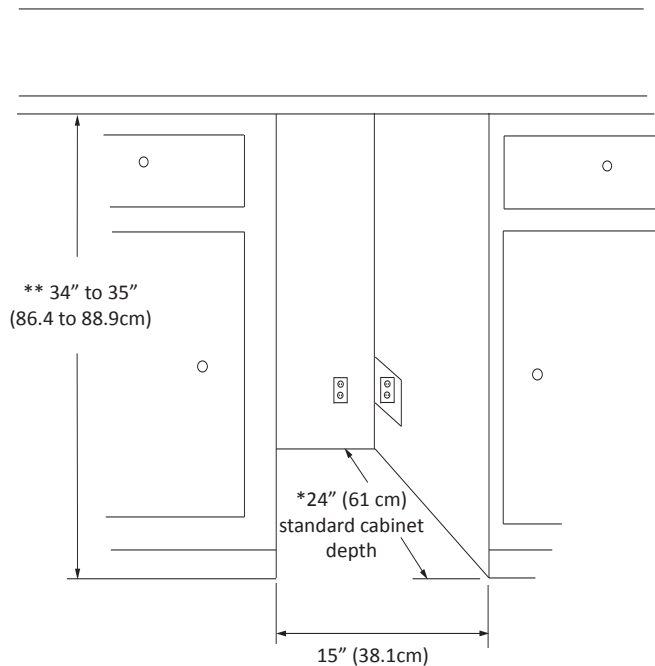
* Depth dimension may vary depending on each individual installation.

** Minimum rough in opening required is to be larger than the adjusted height of the cabinet.

DIMENSIONS FOR MODEL 25IM SOLID OVERLAY DOOR



RECOMMENDED ROUGH IN OPENING DIMENSIONS, 25IM SOLID OVERLAY DOOR



⚠ CAUTION

Electrical Requirements: A grounded 115 volt, 15 amp dedicated circuit is required.

Power outlet can be located in the back wall behind unit. Add 1" to depth for thickness of plug, or recess outlet 1" into the wall. Power outlet can also be installed in adjacent cabinetry with a cutout for routing of power cord. Follow all local building codes when installing electrical and unit. Product weight = 86 lbs. (39.1 kg.)

* Depth dimension may vary depending on each individual installation.

** Minimum rough in opening required is to be larger than the adjusted height of the cabinet.

FULL OVERLAY PANEL INSTALLATION INSTRUCTIONS

⚠ CAUTION

Step 1: Verify door alignment

Verify that the door is aligned correctly with the cabinet prior to fabricating the custom panel. Failure to do so may result in mis-alignment of the custom panel with the hinge bracket. The door should be parallel to the sides and top of the refrigerator. If alignment is necessary the door may be adjusted by loosening the 2 screws which secure the top and/or bottom hinge adapter brackets, located on the top and bottom of the door and adjusting the door side to side. Use a $\frac{5}{32}$ " allen wrench, for this procedure. (See Figure 9 below). When finished aligning the door, tighten the screws securely.

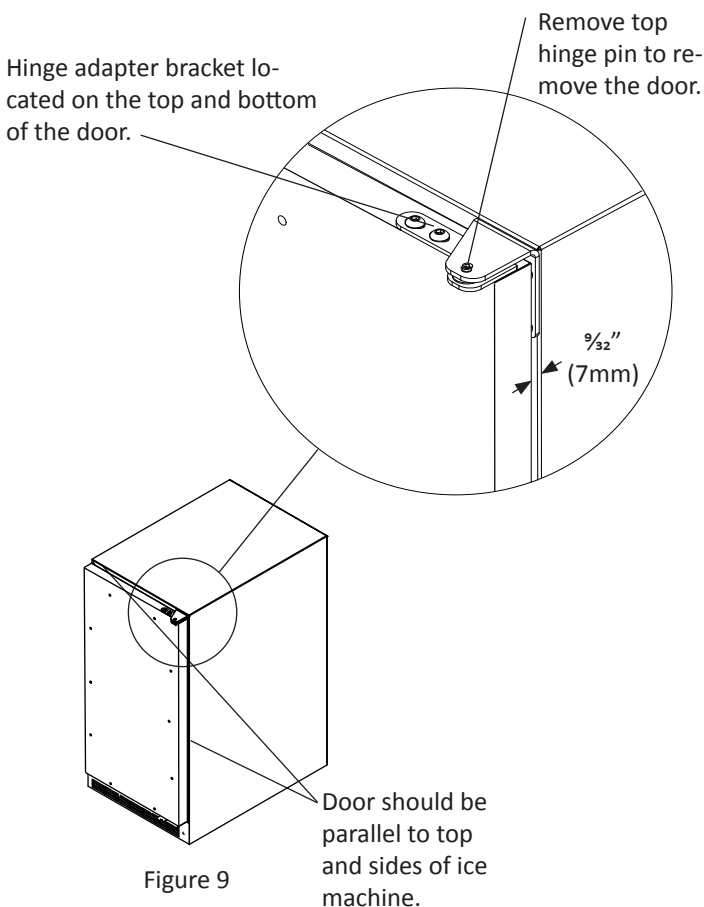


Figure 9

Step 2: Remove door

Remove the top hinge pin from the hinge with an $\frac{1}{8}$ " allen wrench. Remove the door by angling the top of the door outward and lifting the door off the bottom hinge. (See detail in Figure 9).

Step 3: Remove gasket

Lay the door on its front being careful not to scratch it. To gain access to the screw holes remove the door gasket by peeling up and out of the channel.

Step 4: Cut overlay panel

Depending on the ice machine model cut the overlay panel to the dimensions shown in Figure 10.

NOTE

For overlay with lock option panel thickness to be $\frac{3}{4}$ " (19mm) maximum to $\frac{5}{8}$ " (16mm) minimum.

⚠ CAUTION

Weight of the overlay panel should not exceed 20 pounds (9.1 kilograms).

NOTE

For the door to close properly, it is necessary to maintain a minimum space of $\frac{1}{32}$ " (7mm) between the door and cabinet flange (See Figure 9). This space can be adjusted by adjusting the top and bottom hinge adapter brackets.

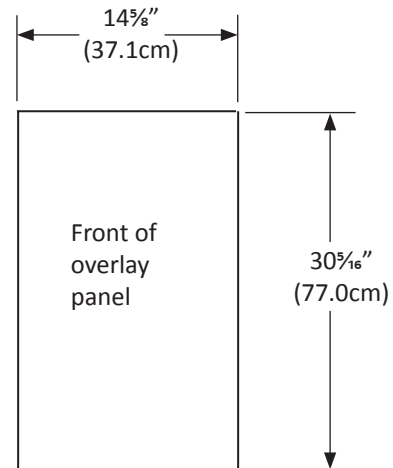


Figure 10

For model 25iM

Step 5: Drill hinge clearance holes in overlay panel

Set the overlay panel on the door front, align the edges, and clamp together. Clamp the panel firmly but be careful not to damage the door or the panel. Mark center of hinge adapter hole on wood panel, top and bottom. (See Figure 11.) Remove wood panel from door and drill $\frac{5}{16}$ " (8mm) diameter clearance holes into the overlay panels $\frac{3}{4}$ " (20mm) deep. These will be clearance holes for the top and bottom hinge pins.

This is also a convenient time to locate and drill the holes for your handle. Most often the handle is to match that of the surrounding cabinetry. If your handle attaches from the back-side of the custom panel, locate the mounting holes while the panel is attached to the door and cabinet. After the panel is removed from the door, drill the mounting holes from the front, to the recommended diameter of the handle manufacturer. Counter bore the back-side of the panel so the screw heads do not interfere with the surface of the door.

FULL OVERLAY PANEL INSTALLATION INSTRUCTIONS

Step 6: Drill panel mounting holes

Re-clamp the panel to the door per step 5 and drill the screw pilot holes for attaching the overlay panel to the door. Select the size of the hole from Table A. Be careful not to drill the pilot holes through the overlay panel, ($\frac{1}{2}$ " (12.7mm) deep for $\frac{3}{4}$ " (19mm) and $\frac{5}{8}$ " (15.7mm) panels).

Material Type	#8 Wood Screw
Hardwood	$\frac{1}{8}$ " (3.2mm) Diameter. Pilot Hole
Softwood	$\frac{7}{64}$ " (2.8mm) Diameter. Pilot Hole

Table A

NOTE

If your ice machine has a door lock proceed to Step 7. If your ice machine does not have a door lock proceed to Step 9.

Step 7: Mark and drill lock hole.

Locate and mark with a pencil the location of the lock hole on the overlay panel, this is the hole in the top corner of the handle side of the door. Remove the clamp and remove the overlay panel from the door. On the backside of the panel where you marked the lock location drill a $1\frac{3}{16}$ " (20.5mm) diameter counter bore $\frac{7}{16}$ " (11.0mm) deep into the overlay panel. Drill a $1\frac{5}{32}$ " (12.0mm) diameter hole through the overlay panel centered on the counter bore being careful not to splinter the wood on the face side of the panel. (See Figure 13).

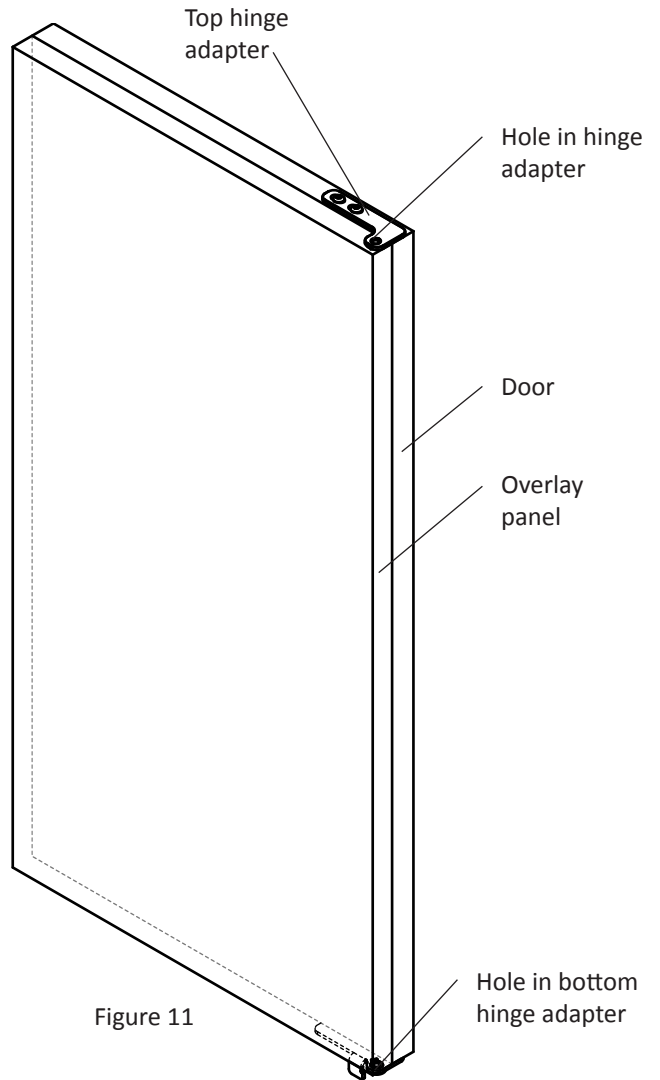


Figure 11

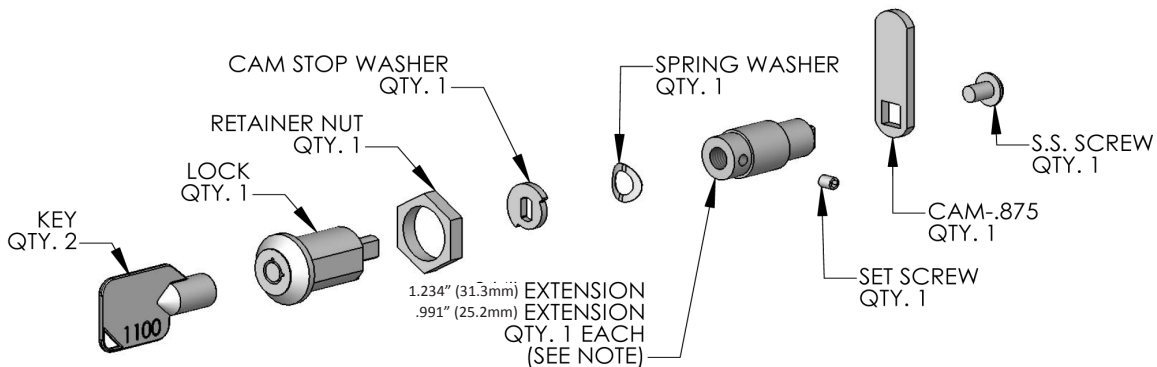


Figure 12

FULL OVERLAY PANEL INSTALLATION INSTRUCTIONS

Step 8: Assemble the lock parts

Two (2) lock extensions are supplied with the lock. Use the longer extension for a 3/4" thick overlay panel and the shorter one for a 5/8" thick panel. Assemble the lock extension, cam stop washer, spring washer, and set screw to the lock as shown in Figure 12 and 13.

Install this assembly into the overlay panel and secure with the retaining nut using a 15mm socket. Make sure the key slot in the lock is vertical.

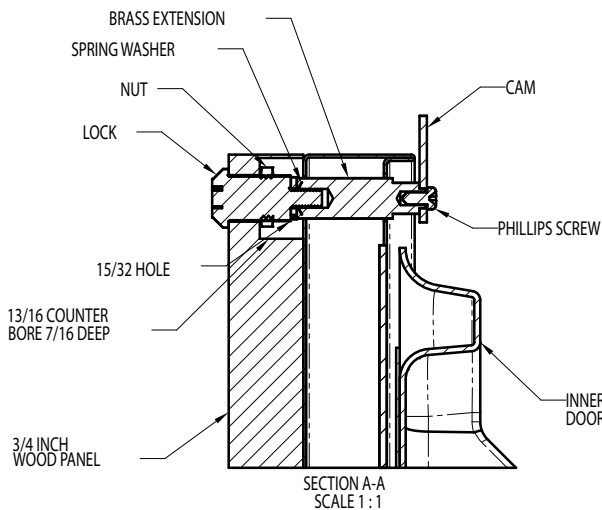


Figure 13

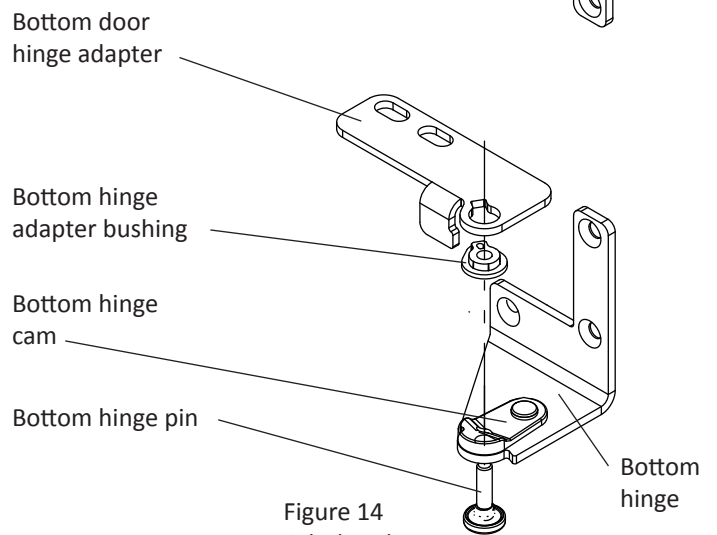
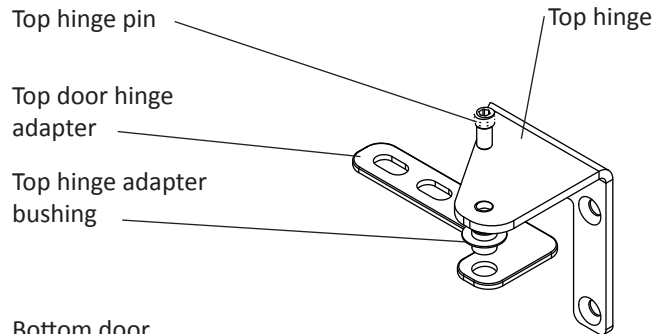


Figure 14
Right hand hinges shown

Step 9: Secure overlay panel to the door.

With the #10 wood screws provided, fasten the overlay panel to the door. (See Figure 15).

Step 10: Install lock cam (Models with locks only).

Attach the lock cam to the back of the lock assembly with the phillips head machine screw provided. Orient the lock cam vertically when installing on the lock.

Step 11: Install door gasket

Press the door gasket into the door channel. Make certain the gasket corners are fully inserted. If applicable insert the key into the lock and make certain the lock operates properly.

Step 12: Install the door

Install the top and bottom hinge adapter bushings back into the hinge adapters that were removed in step 6. Install the door by reversing the procedure from step 2. Install the top hinge pin so the screw head is flush with the top surface of the hinge. If applicable insert key into lock and verify the lock cam works properly with the catch bracket on the front of the ice machine cabinet.

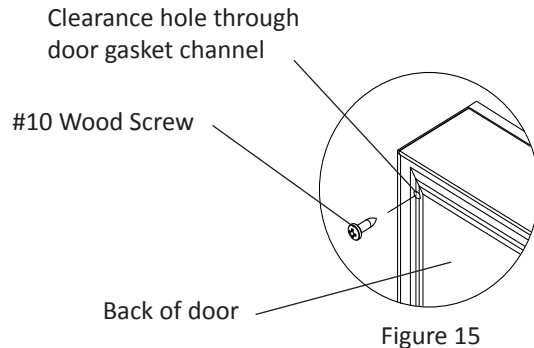


Figure 15

CARE AND CLEANING

Cabinet

The painted cabinet can be washed with either a mild soap and water and thoroughly rinsed with clear water. NEVER use abrasive scouring cleaners.

Interior

Wash interior compartment with mild soap and water. Do NOT use an abrasive cleaner, solvent, polish cleaner or undiluted detergent.

Care of Unit

1. Avoid leaning on the door, you may bend the door hinges or tip the unit.
2. Exercise caution when sweeping, vacuuming or mopping near the front of the unit. Damage to the grille can occur.
3. Periodically clean the interior of the unit as needed.
4. Periodically check and/or clean the front grille as needed.

Defrosting Instructions

1. Push the rocker switch located in the front grille to the "OFF" position.
2. Remove the ice bucket and place a towel in the lower front area of the ice maker to absorb the defrost water.
3. After defrosting is completed replace the ice bucket and press the rocker switch to the "ON" position.

WARNING

Do not use an ice pick, knife, or any type of sharp object to remove the ice. Doing so may puncture the units refrigerant system and damage it beyond repair. You may speed up defrosting by filling the ice bucket with hot water and placing it back into position.

ENERGY SAVING TIPS

The following suggestions will minimize the cost of operating your ice machine appliance.

1. Do not install your appliance next to a hot appliance, (cooker, dishwasher, etc.). heating air duct, or other heat sources.
2. Install product out of direct sunlight.
3. Assure the front grille vents at front of unit beneath door is not obstructed and kept clean to allow ventilation for the refrigeration system to expel heat.
4. Plug your appliance into a dedicated power circuit. (Not shared with other appliances).
5. Maintaining a relatively full ice bin will require less appliance run time than an empty compartment.
6. Minimize door openings and duration of door openings.
7. Use the warmest temperature control set-point that meets your personal preference and provides the proper storage for your stored contents.
8. When on vacation or away from home for extended periods, set the appliance to warmest acceptable temperature for the stored contents.
9. Set the control to the "off" position if cleaning the unit requires the door to be open for an extended period of time.

TROUBLESHOOTING YOUR ICE MACHINE

Before You Call for Service

If the unit appears to be malfunctioning, read through this manual first. If the problem persists, check the troubleshooting guide below. Locate the problem in the guide and refer to the cause and its remedy before calling for service. The problem may be something very simple that can be solved without a service call. However, it may be required to contact your dealer or a qualified service technician.

WARNING

Electrocution Hazard - Never attempt to repair or perform maintenance on the unit until the main electrical power has been disconnected. Turning the unit control "OFF" does not remove electrical power from the units wiring.

Problem	Possible Cause	Remedy
Unit operates but does not produce any ice	<ul style="list-style-type: none"> • The unit has just been started and it has been less than 24 hours. • Water supply is not turned on. • Inadequate water pressure to unit. • The ice maker shut off arm is in the uppermost position. • Freezer section has not reached temperature. • Thermostat control set too warm. • Condenser fan air flow is restricted. • Room and/or water temperature is too warm. 	<ul style="list-style-type: none"> • Typical ice production is 12 pounds per day. Allow for the freezer section to reach temperature and the ice maker to cycle and accumulate ice. • Turn on water supply to the unit. • Water pressure to the unit must be at a minimum of 20 psi. • When the ice maker shut off arm is in the uppermost position, the ice maker is off. Flip the shut off arm down to turn on the ice maker. • Allow the freezer section to reach temperature. • Turn the temperature control to a higher number to allow the unit to run colder. Allow 24 hours before readjusting the temperature control. • Make certain the grille in front of the unit is free and open for air circulation. Clean grille as required. • Move the unit to an area where ambient temperature is below 90°F. The unit should not be placed next to a heat source such as an oven. Check for cold water connection.
Small ice cubes	<ul style="list-style-type: none"> • Water input may require adjustment. 	<ul style="list-style-type: none"> • Due to differing water pressures, the ice maker water input may require adjustment. See Figure 8 on page 7 for water adjustment screw location.
Ice cubes are sticking together.	<ul style="list-style-type: none"> • Ice consumption is low. • Room temperature is too warm. 	<ul style="list-style-type: none"> • Use the ice in the bin frequently. Ice will stick together if left in insulated bin over long periods of time. • Move the unit to an area that is below 90°F.

TROUBLESHOOTING YOUR ICE MACHINE

Problem	Possible Cause	Remedy
Unit too warm or too cold inside.	<ul style="list-style-type: none"> • Control set too warm or cold • Content temperature not stabilized. • Excessive usage or prolonged door openings. • Airflow to front grille blocked. • Door gasket not sealing properly. 	<ul style="list-style-type: none"> • Adjust temperature colder or warmer as required. Allow 24 hours for temperature to stabilize. • Allow temperature to stabilize for at least 24 hours. • Airflow must not be obstructed to front grille. See “clearances” on page 4. • Check door alignment and/or adjust or replace door gasket..
Noise or Vibration	<ul style="list-style-type: none"> • Unit not level • Water line tubing vibration. 	<ul style="list-style-type: none"> • Level unit, see “Leveling Legs” on page 4. • Adjust the tubing as necessary to eliminate unwanted vibrations.
Unit will not run.	<ul style="list-style-type: none"> • Unit turned off • Power cord not plugged in. • No power at outlet. 	<ul style="list-style-type: none"> • Turn unit on. See “Set the temperature control” on page 7. • Plug in power cord. • Check house circuit.
Moisture collects on outside surface of cabinet.	<ul style="list-style-type: none"> • Hot and humid conditions. 	<ul style="list-style-type: none"> • Extremely hot and humid conditions can cause condensation on outside of the cabinet. As humidity and/or temperature decreases, the condensation will disappear.
Moisture collects on inside of the unit.	<ul style="list-style-type: none"> • Too many door openings. • Prolonged door openings. • Hot and humid conditions 	<ul style="list-style-type: none"> • Limit the amount of door openings. • Limit the amount of time with the door open. • Extreme hot and humid conditions. Move unit to a controlled environment.

OBTAINING SERVICE

If Service is Required:

- If the product is within the first year warranty period please contact your dealer or call AGA MARVEL Customer Service at 800.223.3900 for directions on how to obtain warranty coverage in your area.
- If the product is outside the first year warranty period, AGA MARVEL Customer Service can provide recommendations of service centers in your area. A listing of authorized service centers is also available at www.agamarvel.com under the service and support section.
- In all correspondence regarding service, be sure to give the model number, serial number, (see page 3) located on your product's serial plate, and proof of purchase.
- Try to have information or description of nature of the problem, how long the unit has been running, the room temperature, and any additional information that may be helpful in quickly solving the problem.
- Table B is provided for recording pertinent information regarding your product for future reference.

For Your Records	
Date of Purchase	
Dealer's name	
Dealer's Address	
Dealer's City	
Dealer's State	
Dealer's Zip Code	
Appliance Serial Number	
Appliance Model Number	
Date Warranty Card Sent (Must be within 10 days of purchase).	

Table B

HOUSEHOLD PRODUCT WARRANTY

Entire Product

Limited One Year Parts and Labor Warranty

AGA MARVEL warrants that it will supply all necessary parts and labor to repair or replace in the end user's home or office, any component which proves to be defective in material or workmanship, subject to the condition and exclusions stated below, for a period of one year from the date of purchase by the end user.

Additional Second Through Fifth Year

Limited Parts Only Warranty

During the four years following expiration of the one year limited warranty, AGA MARVEL will supply replacement parts for the hermetically sealed refrigeration system which consists of the compressor, condenser, drier, accumulator, bypass valve, connecting tubing and the evaporator that are proven to be defective due to workmanship or materials subject to the conditions and exclusions below.

The above warranties do not cover:

- Shipping costs of replacement parts or returned defective parts.
- Customer education or instructions on how to use the appliance.
- Any content loss due to product failure.
- Removal or installation of product.

Nor do the above warranties cover failure of this product or its components due to:

- Transportation or subsequent damages.
- Commercial use or use other than normal household or small office.
- Improper installation, misuse, abuse, accident or alteration, use of wiring not conforming to electrical codes, low or high voltages, failure to provide necessary maintenance, or other unreasonable use.

Parts or Service

Not Supplied or Designated by AGA MARVEL

The above warranties also do not apply if:

- The original bill of sale, deliver date, or serial number cannot be verified.
- Defective parts are not returned for inspection if so requested by AGA MARVEL.
- The refrigeration equipment is not in the possession of the original end use purchaser.

The warranties set forth herein are the only warranties extended by AGA MARVEL. Any implied warranties, including the implied warranty of merchantability, are limited to the duration of these express warranties. In no event shall AGA MARVEL be liable for any consequential or incidental damages or expenses resulting from breach of these or any other warranties, whether express or implied.

Some states do not allow the exclusion or limitation of consequential damages or a limitation on how long an implied warranty lasts, so the above exclusion or limitation may not apply to you. This warranty gives you specific legal rights and you may have other rights that may vary from state to state.

No person, firm, or corporation is authorized to make any other warranty or assume any other obligation for AGA MARVEL. These warranties apply only to products used in any of the fifty states of the United States and the District of Columbia.

To obtain performance of this warranty, report any defects to:

AGA MARVEL

1260 E. VanDeinse St.
Greenville MI 48838

Phone: 800.223.3900



www.agamarvel.com

AGA MARVEL
1260 E. VanDeinse St.
Greenville MI 48838

800.223.3900

41011771-EN Rev R
2/13/12

All specifications and product designs subject to change without notice. Such revisions do not entitle the buyer to corresponding changes, improvements, additions, replacements or compensation for previously purchased products.

Instructions
d'installation,
d'utilisation
et d'entretien

Machines à glaçons

15iM (Marvel)

25iM (Marvel)

250iM (Extérieur)



CONTENU

Déballage de votre machine à glaçons	3
Enlèvement de l'emballage	3
Enregistrement de la garantie	3
Installation de votre machine à glaçons	4
Choix de l'emplacement	4
Installation à l'extérieur	4
Préparation pour l'hiver	4
Écartements pour l'armoire	4
Pieds de mise à niveau	5
Raccordement électrique	5
Branchement de l'arrivée d'eau	6
Utilisation de votre machine à glaçons	7
Mise en marche de votre machine à glaçons	7
Fonctionnement de votre machine à glaçons	7
Dimensions pour porte pleine de 15iM	8
Dimensions brutes d'ouverture recommandées pour porte pleine de 15iM	8
Dimensions pour porte pleine de 25iM	9
Dimensions brutes d'ouverture recommandées pour porte pleine de 25iM	9
Dimensions pour porte pleine de 250iM	10
Dimensions brutes d'ouverture recommandées pour porte pleine de 250iM	10
Dimensions pour porte à revêtement plein de 25iM	11
Dimensions brutes d'ouverture recommandées pour porte à revêtement plein de 25iM	11
Instructions d'installation de panneau de revêtement complet	12
Conseils pour les économies d'énergie	15
Entretien et nettoyage	15
Passage de l'air dans le condenseur	15
Armoire	15
Intérieur	15
Instructions de dégivrage	15
Guide de dépannage	17
Obtention de service	18
Garantie de l'appareil à usage domestique	19

Importantes instructions de sécurité

Les avertissements et les instructions de sécurité qui apparaissent dans ce guide n'ont pas la prétention de couvrir toutes les conditions et situations possibles pouvant arriver. Il faut faire preuve de bon sens, de précautions et de soins, pour installer, utiliser ou entretenir cet appareil.

Reconnaissance des symboles, des mots et des étiquettes concernant la sécurité.

AVERTISSEMENT

AVERTISSEMENT – Dangers ou pratiques dangereuses avec une forte probabilité de blessures corporelles et/ou de dommages pour le produit.

ATTENTION

ATTENTION-Risques ou pratiques dangereuses pouvant entraîner des blessures individuelles, des dégâts matériels ou des dommages au produit.

REMARQUE

REMARQUE - Information importante pour réaliser une installation et une utilisation sans problèmes.



AGA MARVEL s'engage à fabriquer un produit de qualité d'une manière ne nuisant pas à l'environnement. Nos procédés sont sévèrement contrôlés et surveillés de près. Nous avons obtenu les certifications ISO 9001 d'assurance qualité, et ISO 14001 de gestion environnementale, et OHSAS 18001 pour hygiène et sécurité du travail de Lloyd's Register Quality Assurance.

DÉBALLAGE DE VOTRE RÉFRIGÉRATEUR

Enlèvement de l'emballage

Votre réfrigérateur a été emballé pour l'expédition avec toutes les pièces pouvant être endommagées par le mouvement solidement attachées. Coupez le matériau de fixation en bas du carton, dépliez le carton par le bas et enlevez-le de l'appareil. Enlevez le sac en plastique, les cales d'angle en polystyrène expansé, et toutes les bandes adhésives maintenant la porte fermée et les composants à l'intérieur en place. Le manuel de l'utilisateur est envoyé à l'intérieur du réfrigérateur dans un sac en plastique, accompagné de la carte d'enregistrement de la garantie.

Important

Conservez votre carton et l'emballage jusqu'à ce que votre machine à glaçons ait été complètement inspectée et trouvée en bon état. S'il présentait des dommages, cet emballage serait nécessaire comme preuve qu'ils sont survenus durant le transit. Ensuite veuillez mettre toutes les parties de l'emballage au rebut de façon responsable, en particulier les sacs en plastique qui constituent un danger d'étouffement.

Note pour le client

Cette marchandise a été soigneusement et complètement inspectée avant de quitter notre usine. La responsabilité pour sa livraison sûre a été assumée par le revendeur à l'acceptation de cette expédition. Les réclamations pour perte ou dommages survenus durant le transit sont à adresser au revendeur.

NE RENVOYER PAS DE MARCHANDISE ENDOMMAGÉE AU FABRICANT – DÉPOSEZ UNE RÉCLAMATION AUPRÈS DU REVENDEUR.

REMARQUE

Si l'unité a été livrée étant sur le dos, ou y est restée pendant une durée quelconque, laissez le réfrigérateur reposer debout pendant au moins 24 heures avant de la brancher électriquement. Cela assurera le retour de l'huile au compresseur. Un branchement immédiat du réfrigérateur pourrait endommager des parties internes.

Enregistrement de la garantie

Il est important que vous postiez votre carte de garantie immédiatement après avoir pris livraison de votre réfrigérateur.

Les informations suivantes seront nécessaires au moment de l'enregistrement de votre unité :

- Référence de modèle
- Numéro de série
- Date d'achat
- Nom et adresse du revendeur

La référence de modèle et le numéro de série se trouvent sur la plaque signalétique qui est située à l'intérieur de l'armoire, du côté gauche près du haut (Voir la Figure 1).

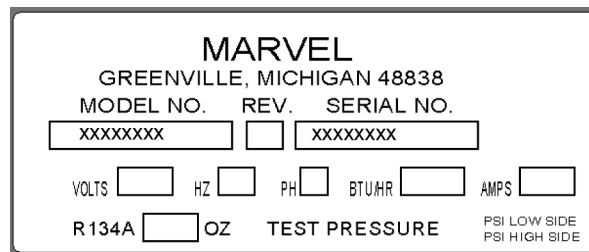


Figure 1

⚠ ATTENTION

Contribuez à éviter des tragédies

L'emprisonnement d'enfants et leur asphyxie ne sont pas des problèmes du passé. Des épaves de réfrigérateurs abandonnés continuent de présenter un danger - même en restant dehors pour "juste quelques jours".

Si vous devez vous débarrasser de votre vieille unité de refroidissement, veuillez suivre ces instructions pour aider à éviter des accidents possibles.

Avant de jeter votre vieux réfrigérateur ou congélateur :

- Démontez ses portes ou enlevez ses tiroirs.
- Laissez les étagères en place de façon à ce que des enfants ne puissent pas facilement monter dedans.

INSTALLATION DE VOTRE MACHINE À GLAÇONS

Choix de l'emplacement

Un bon emplacement assurera une performance de pointe pour votre appareil. Nous recommandons un endroit où l'appareil ne sera pas exposé directement au rayonnement solaire et restera écartée de sources de chauffage. Pour assurer que les performances de votre produit soient au niveau de ses spécifications, la plage de températures recommandée au lieu d'installation sera de 65 à 90°F (18 à 32 °C).

⚠ ATTENTION

Installation à l'extérieur

Seul le modèle 250iM convient pour une installation à l'extérieur.

Les normes de construction peuvent exiger une prise secteur avec disjoncteur sur fuite à la terre pour fournir l'alimentation de l'appareil installé à l'extérieur (consultez la section "Connexion électrique").

Ne faites pas l'installation dans un environnement où l'appareil serait exposé au rayonnement solaire direct, car cela nuirait à sa bonne performance.

Préparation pour l'hiver de votre machine à glaçons

Sous les climats les plus rigoureux votre machine à glaçons doit être préparée pour l'hiver. La vanne de remplissage en eau doit être débranchée de la conduite d'arrivée d'eau. La conduite d'arrivée d'eau en bas de la vanne de remplissage doit également être débranchée et vidangée.

Avec la vanne débranchée et la conduite d'arrivée vidangée, laissez tourner la machine à glaçons et permettez-lui de décharger des glaçons une dernière fois pour éliminer tout glace du plateau.

Si l'appareil doit rester inactif pendant une longue période, il est recommandé d'assécher son plateau avec des serviettes en papier.

Écartements par rapport à l'armoire

Une ventilation est nécessaire depuis la section frontale du bas de l'armoire. Gardez cette zone libre et exempte de toutes obstructions. Des meubles et comptoirs peuvent être installés autour de l'appareil de façon adjacente dans la mesure où l'accès à sa grille et sa porte restera non obstrué.

⚠ ATTENTION

Grille frontale

N'obstruez pas la grille frontale. Les ouvertures au travers de la grille frontale permettent l'écoulement de l'air par l'échangeur thermique du condenseur. Des restrictions de ce flux d'air vont augmenter la consommation d'énergie et affecter sa capacité de refroidissement. C'est pourquoi, il est important que cette zone ne soit pas obstruée et soit maintenue propre. AGA MARVEL recommande de ne pas utiliser de grilles personnalisées, car l'écoulement d'air en serait diminué du fait d'ouvertures insuffisantes (Voir la Figure 2).

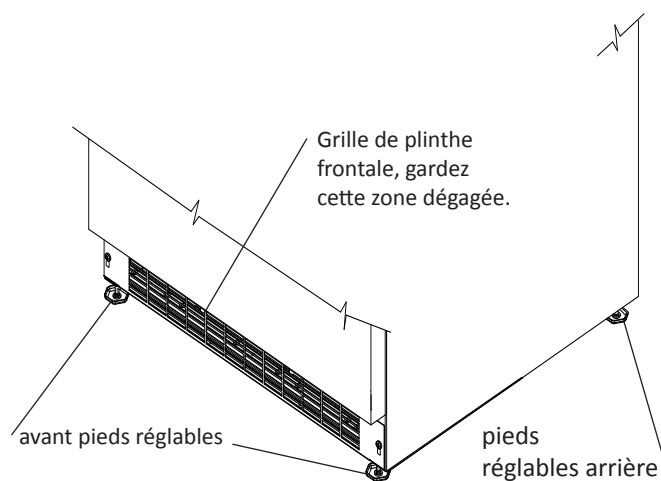


Figure 2

INSTALLATION DE VOTRE MACHINE À GLAÇONS

Pieds de mise à niveau

Des pieds réglables aux angles avant et arrière de l'armoire doivent être ajustés pour qu'elle soit fermement positionnée au sol et bien d'aplomb, d'un côté à l'autre et d'avant en arrière. La hauteur totale de votre appareil Marvel peut être ajustée entre 33 $\frac{3}{4}$ " (85,7 cm) quand ses pieds de mise à niveau sont vissés, et 34 $\frac{3}{4}$ " (88,3 cm) quand ils sont sortis.

Pour régler ces pieds de mise à niveau, placez la machine à glaçons sur une surface solide, en protégeant le sol en dessous pour ne pas le rayer. Avec l'aide d'une autre personne, inclinez vers l'arrière de l'appareil pour accéder aux pieds de mise à niveau de l'avant. Levez ou abaissez ces pieds à la hauteur requise en les tournant. Répétez le processus pour l'arrière en basculant l'appareil vers l'avant en faisant attention à ce que la porte ne s'ouvre pas. Sur une surface plane, vérifiez le niveau de l'appareil et ajustez les pieds en conséquence.

Les vis de la grille frontale peuvent être desserrées et la grille ajustée à la hauteur voulue. Quand le réglage est fait, resserrez les vis de la grille frontale (Voir la Figure 3).

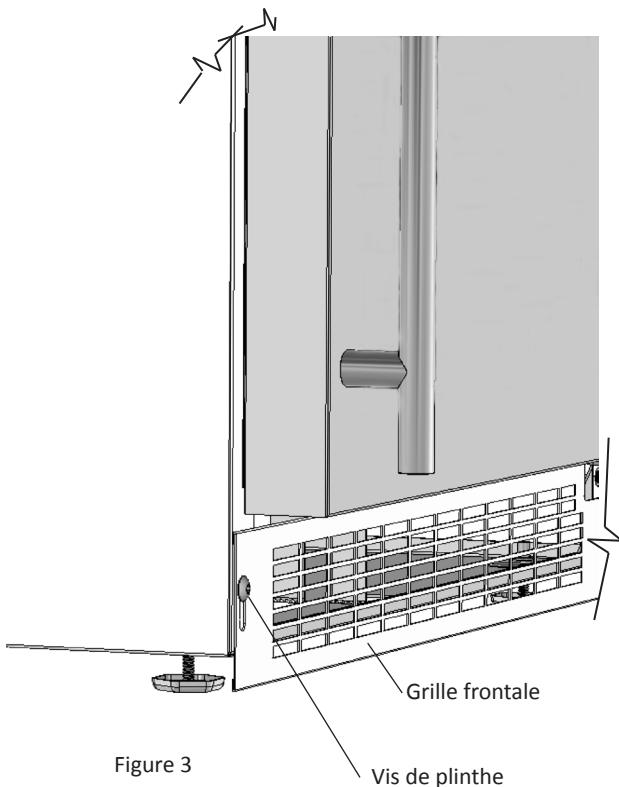


Figure 3

Grille frontale
Vis de plinthe

ATTENTION

- **N'envoyez pas d'eau par éclaboussure ou par jet d'un tuyau sur la machine à glaçons. Cela pourrait causer une commotion électrique, entraînant potentiellement des blessures graves voire mortelles.**
- **Cet appareil ne doit sous aucun prétexte être installé sur une alimentation électrique sans liaison de terre.**

Raccordement électrique

Un circuit secteur dédié en 115 V supportant 15 A est nécessaire.

Ce produit est équipé en usine d'un cordon secteur comportant une fiche avec terre à trois broches. Il faut la brancher dans une prise secteur correspondante avec terre, en conformité avec la norme électrique américaine et les normes et réglementations locales applicables (Voir la Figure 4). Si le circuit ne comporte pas une prise avec terre, le client doit en fournir une adéquate, c'est sa responsabilité. La troisième broche de terre ne doit en aucun cas être coupée ou enlevée.

ATTENTION

Des rallonges de cordon électrique ne doivent pas être utilisées. Elles peuvent être dangereuses et causer un mauvais fonctionnement. La prise murale doit être située près de la machine à glaçons et être de type polarisé avec une bonne terre de protection. La machine à glaçons doit être installée en conformité avec vos normes de construction et réglementations locales.

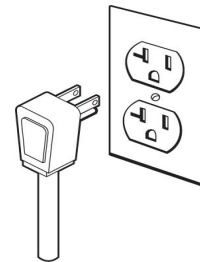


Figure 4

Cet appareil doit être installé en conformité avec vos normes de construction et réglementations locales.

REMARQUE

Un disjoncteur sur détection de courant de fuite (GFCI) provoque des déclenchements intempestifs qui arrêtent l'appareil. Ce type de protection n'est en général pas utilisé sur de l'équipement électrique qui doit tourner sans surveillance pendant de longues périodes, sauf si c'est imposé par les normes de construction et réglementations locales.

BRANCHEMENT DE L'ARRIVÉE D'EAU

Alimentation en eau

Respectez et observez toutes les normes locales pour l'installation de la machine à glaçons.

Fixez l'adaptateur de conduite d'eau fourni (Figure 6) sur l'entrée de la vanne d'eau à l'arrière de la machine à glaçons (Voir la Figure 5). Assurez-vous que la rondelle en caoutchouc est en place dans l'écrou d'entrée de vanne. Formez un tuyau de cuivre de ¼" en fonction des besoins de votre installation, en prenant soin de ne pas le pincer. Utilisez du tube de cuivre de ¼" pour votre arrivée d'eau, disponible localement dans toute quincaillerie ou magasin de fournitures de plomberie. Un robinet de coupure est recommandé. **REMARQUE : N'UTILISEZ PAS DE ROBINET DE TYPE AUTO-PERCEUR.** Branchez le tube de cuivre d'arrivée d'eau sur le tube de cuivre de l'ensemble adaptateur avec le raccord-union en laiton fourni. Fixez la conduite d'arrivée d'eau sur l'arrière de l'armoire avec la vis et le collier fournis à l'angle du panneau arrière (Voir la Figure 5).

La pression de l'eau doit faire au moins 20 psi pour un bon fonctionnement, avec un maximum de 120 psi.

Assurez-vous que toutes les connexions d'eau sont étanches après l'installation. Formez le tube de façon à ce qu'il ne vibre pas contre le corps de l'armoire ou ne s'écrase pas quand la machine est poussée en place.

REMARQUE

- N'utilisez aucun produit d'étanchéification des filetages sur les raccordements de conduite d'eau.
- N'utilisez pas de dispositif de filtrage à "osmose inverse".
- Un adoucisseur d'eau n'est pas recommandé. Cela produirait des cubes de glace tendres et laiteux qui se colleraient ensemble.
- L'utilisation d'eau désionisée n'est pas recommandée. Ce type d'eau ne formerait pas de cubes de glace solides.

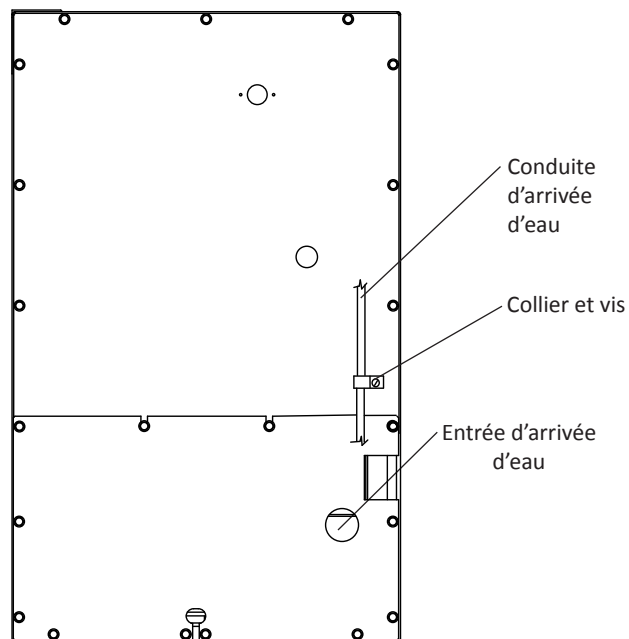
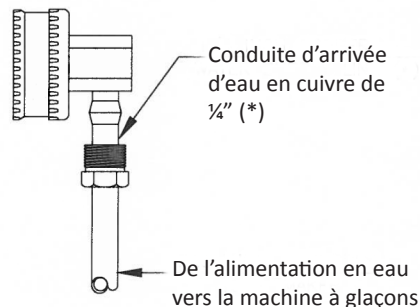
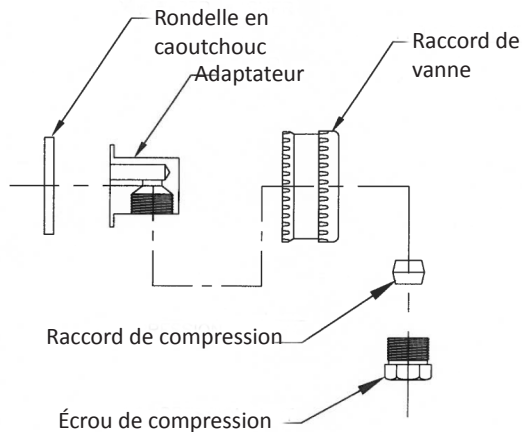


Figure 5
Vue arrière de la machine à glaçons



(*) Fournie par le client

Figure 6

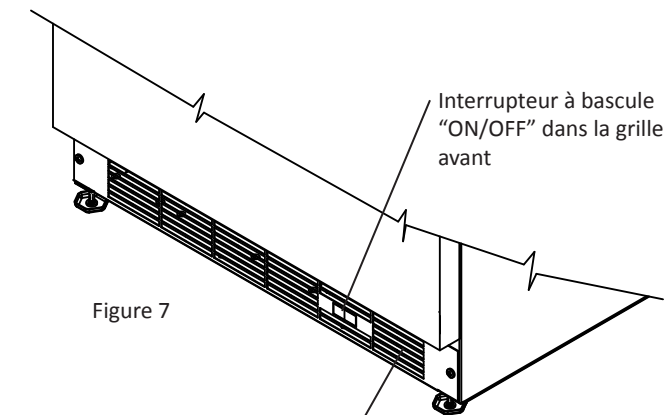
UTILISATION DE VOTRE MACHINE À GLAÇONS

Mise en marche de votre machine à glaçons

Après avoir branché l'alimentation en eau, et mis votre machine à glaçon à sa place, branchez la fiche de son cordon d'alimentation dans une prise secteur murale. Puis placez l'interrupteur placé dans la grille (Voir la Figure 7) en position de marche (ON). Le contrôle de température est paramétré à l'avance en usine, laissez la machine à glaçons tourner pendant 24 heures de façon à ce que sa température intérieure se stabilise. Si vous désirez ajuster la température intérieure, utilisez un tournevis à lame fine passé au travers du côté droit de la grille pour tourner l'axe de la commande de consigne de température. En le tournant en sens horaire vous diminuez la température. En le tournant en sens antihoraire vous l'augmentez. Le fait de tourner en sens antihoraire jusqu'en butée fait arrêter le compresseur et le moteur de ventilateur.

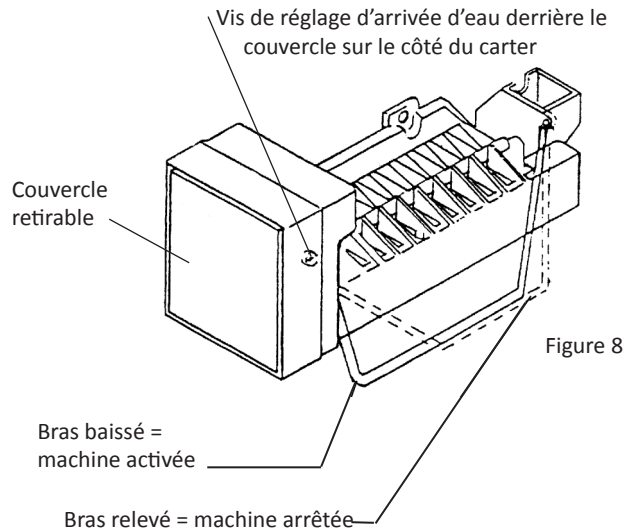
ATTENTION

Si vous avez arrêté votre contrôle, attendez au moins cinq (5) minutes avant de le redémarrer, de manière à ce que le contrôle du moteur ait le temps de faire une restauration automatique pour que le moteur puisse redémarrer. L'alimentation électrique de votre appareil est commandée par l'interrupteur à bascule "ON/OFF" situé dans la grille avant (Voir la Figure 7).



Fonctionnement

- L'appareil doit être installé bien d'aplomb pour le bon fonctionnement de la production des glaçons.
- La tige du bras de coupure doit être abaissée en position la plus basse pour que la production de glaçons soit possible.
- Quand la section de congélation et de fabrication de glaçons a suffisamment refroidi, la machine va produire automatiquement des glaçons.
- Quand le seau à glaçons est plein, la machine à glaçons s'arrêtera automatiquement.
- Vous pouvez aussi arrêter manuellement la machine en relevant le bras de coupure en position de verrouillage tout en haut.



Quand le fonctionnement de l'appareil doit être arrêté pour une durée quelconque, la cavité pour glaçon cubique dans la machine doit être vidée et asséchée. Les alimentations en eau et en électricité doivent également être coupées, et le seau à glaçons doit être vidé et nettoyé.

Si les glaçons ne sont pas prélevés régulièrement, ils auront tendance à s'agglomérer dans le temps. Pour obtenir les meilleurs résultats, jetez les vieux glaçons produits et laissez la machine à glaçons en produire un nouveau lot de tout frais.

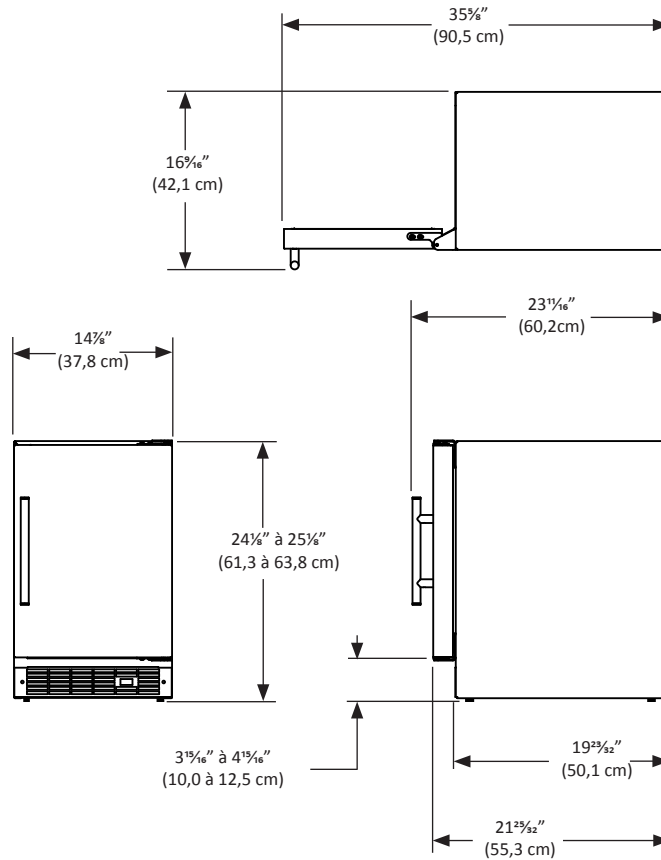
Réglage du remplissage en eau

Si le remplissage en eau doit être ajusté, le fait de tourner en sens horaire la vis de réglage d'arrivée d'eau (Voir la Figure 8) augmente la quantité de remplissage, et la diminue en sens antihoraire. Un tour complet affecte le remplissage de 40 centimètres cubes.

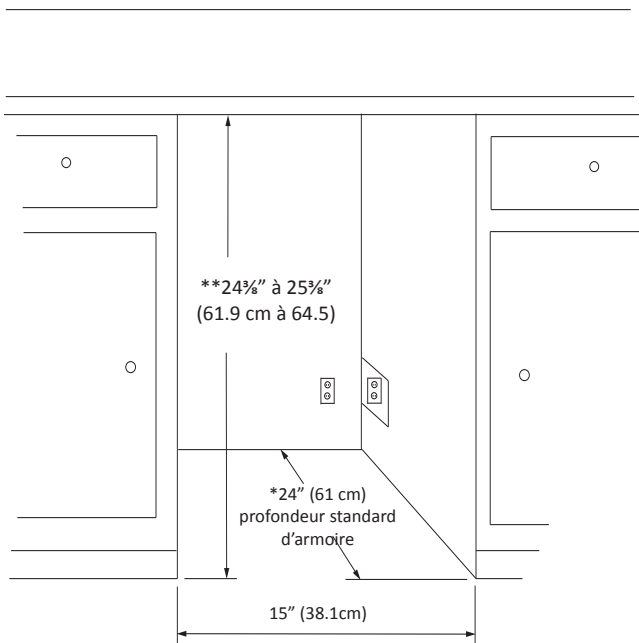
REMARQUE

Ne tournez pas cette vis de réglage d'arrivée d'eau de plus d'un tour complet (360°) dans un sens ou dans l'autre. Sinon vous risquez d'endommager le module de la machine à glaçons.

DIMENSIONS POUR PORTE PLEINE DE MODÈLE 15IM



DIMENSIONS BRUTES D'OUVERTURE RECOMMANDÉES POUR PORTE PLEINE DE 15IM



⚠ ATTENTION

Besoins électriques : Un circuit secteur dédié en 115 V supportant 15 A est nécessaire. Une prise avec protection GFCI peut être nécessaire avec les modèles pour extérieur.

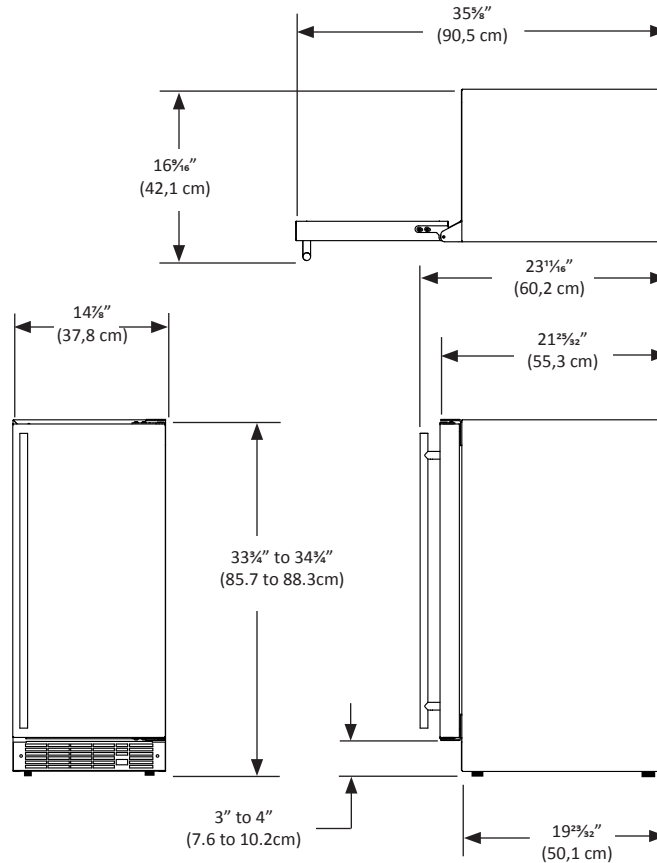
La prise secteur peut être située sur la cloison murale derrière l'appareil. Ajoutez 1 pouce (2,5 cm) pour l'épaisseur de la fiche, ou encastrez la prise de cette profondeur dans la cloison. La prise secteur peut aussi être installée dans un meuble adjacent, avec une découpe pour faire passer le cordon secteur. Appliquez toutes les normes de construction locales à l'installation de l'électricité et de l'appareil.

Poids de l'appareil = 72 lbs. (32,7 kg)

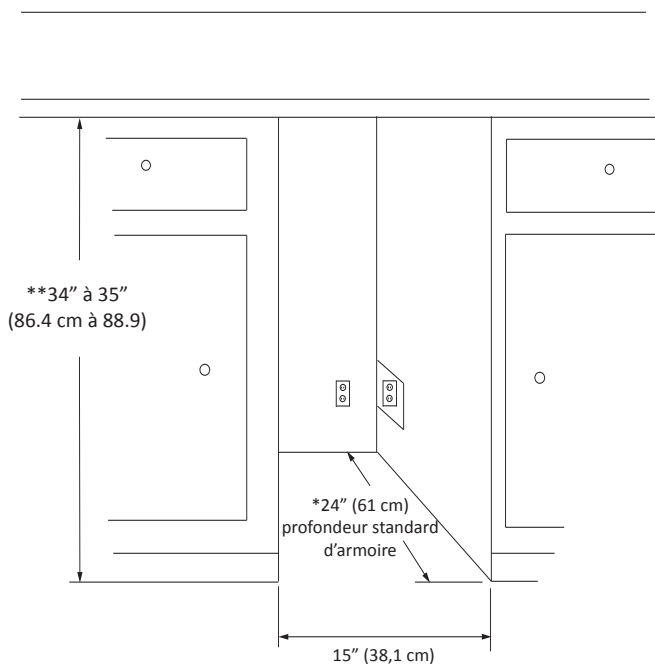
* La dimension en profondeur peut varier selon chaque installation individuelle

** Minimum rugueuse à l'ouverture requise est d'être supérieure à la hauteur ajustée de l'armoire.

DIMENSIONS POUR PORTE PLEINE DE 25IM



DIMENSIONS BRUTES D'OUVERTURE RECOMMANDÉES POUR PORTE PLEINE DE 25IM



⚠ ATTENTION

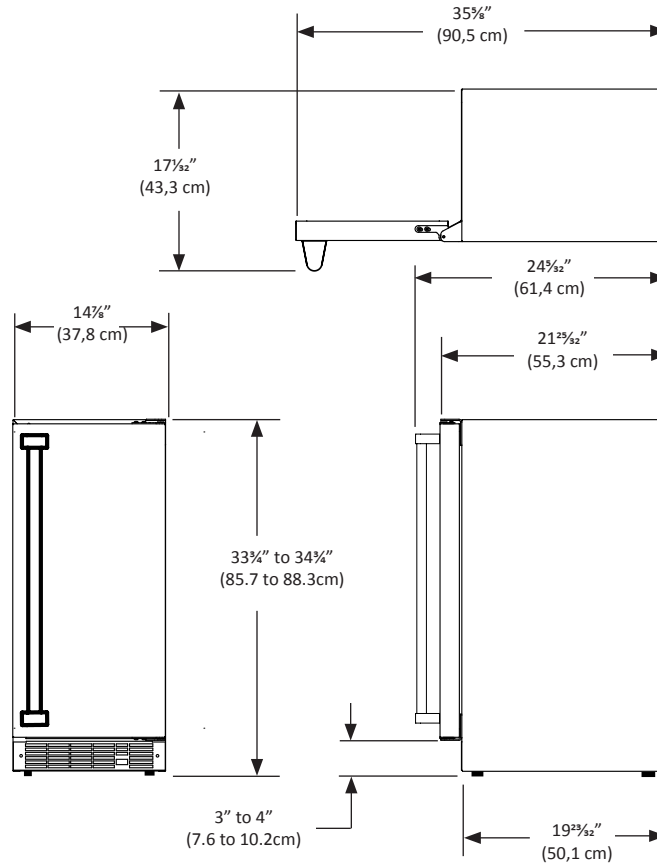
Besoins électriques : Un circuit secteur dédié en 115 V supportant 15 A est nécessaire. Une prise avec protection GFCI peut être nécessaire avec les modèles pour extérieur.

La prise secteur peut être située sur la cloison murale derrière l'appareil. Ajoutez 1 pouce (2,5 cm) pour l'épaisseur de la fiche, ou encastrez la prise de cette profondeur dans la cloison. La prise secteur peut aussi être installée dans un meuble adjacent, avec une découpe pour faire passer le cordon secteur. Appliquez toutes les normes de construction locales à l'installation de l'électricité et de l'appareil.
Poids de l'appareil = 86 lbs. (39,1 kg)

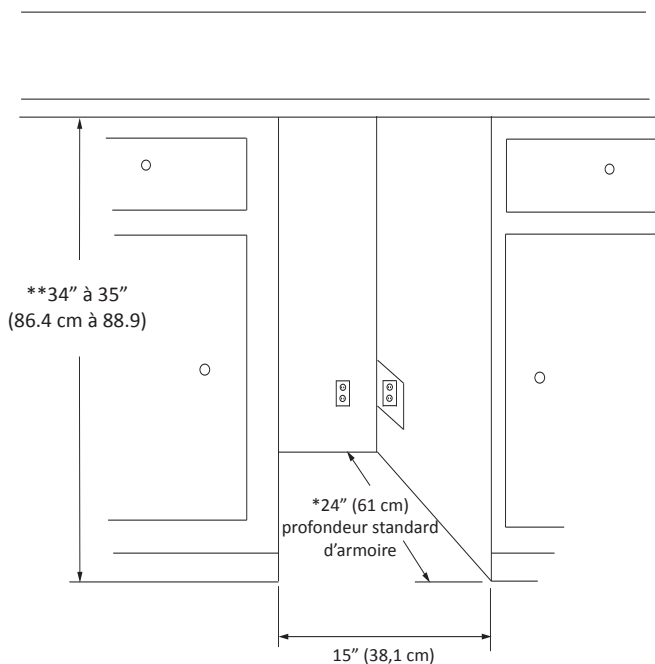
* La dimension en profondeur peut varier selon chaque installation individuelle

** Minimum rugueuse à l'ouverture requise est d'être supérieure à la hauteur ajustée de l'armoire.

DIMENSIONS POUR PORTE PLEINE DE 250IM



DIMENSIONS BRUTES D'OUVERTURE RECOMMANDÉES POUR PORTE PLEINE DE 250IM



⚠ ATTENTION

Besoins électriques : Un circuit secteur dédié en 115 V supportant 15 A est nécessaire. Une prise avec protection GFCI peut être nécessaire avec les modèles pour extérieur.

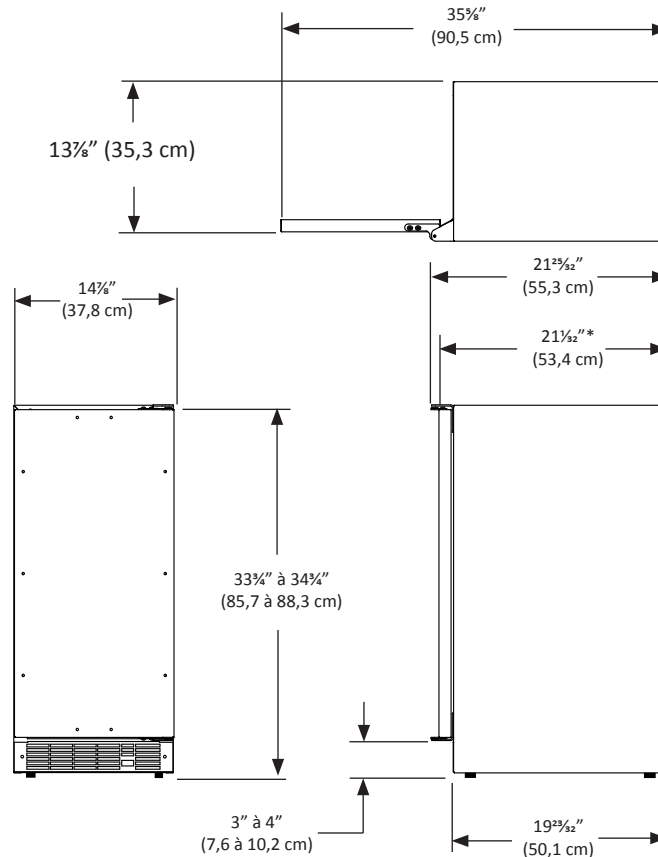
La prise secteur peut être située sur la cloison murale derrière l'appareil. Ajoutez 1 pouce (2,5 cm) pour l'épaisseur de la fiche, ou encastrez la prise de cette profondeur dans la cloison. La prise secteur peut aussi être installée dans un meuble adjacent, avec une découpe pour faire passer le cordon secteur. Appliquez toutes les normes de construction locales à l'installation de l'électricité et de l'appareil.

Poids de l'appareil = 86 lbs. (39,1 kg)

* La dimension en profondeur peut varier selon chaque installation individuelle

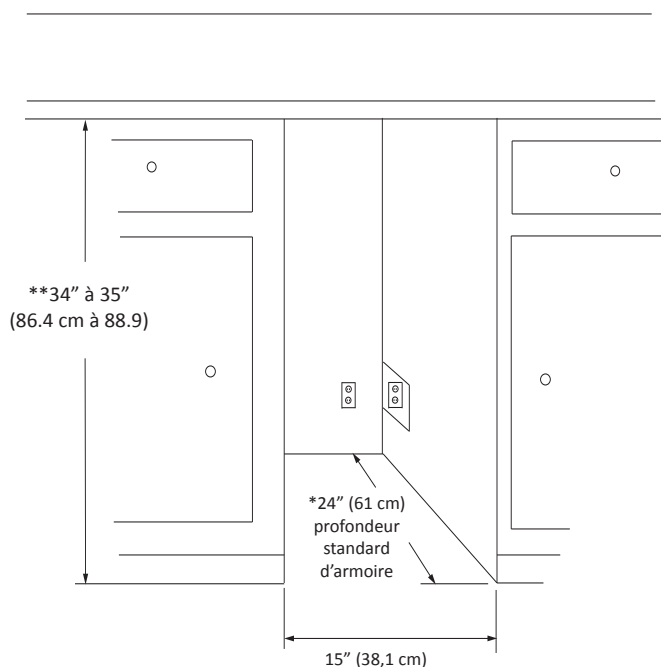
** Minimum rugueuse à l'ouverture requise est d'être supérieure à la hauteur ajustée de l'armoire.

DIMENSIONS POUR PORTE À REVÊTEMENT PLEIN DE 25IM



* Pour recouvrir une porte sans panneau personnalisé

DIMENSIONS BRUTES D'OUVERTURE RECOMMANDÉES POUR PORTE À REVÊTEMENT PLEIN DE 25IM



⚠ ATTENTION

Besoins électriques : Un circuit secteur dédié en 115 V supportant 15 A est nécessaire. Une prise avec protection GFCI peut être nécessaire avec les modèles pour extérieur.

La prise secteur peut être située sur la cloison murale derrière l'appareil. Ajoutez 1 pouce (2,5 cm) pour l'épaisseur de la fiche, ou encastrez la prise de cette profondeur dans la cloison. La prise secteur peut aussi être installée dans un meuble adjacent, avec une découpe pour faire passer le cordon secteur. Appliquez toutes les normes de construction locales à l'installation de l'électricité et de l'appareil.

Poids de l'appareil = 86 lbs. (39,1 kg)

* La dimension en profondeur peut varier selon chaque installation individuelle

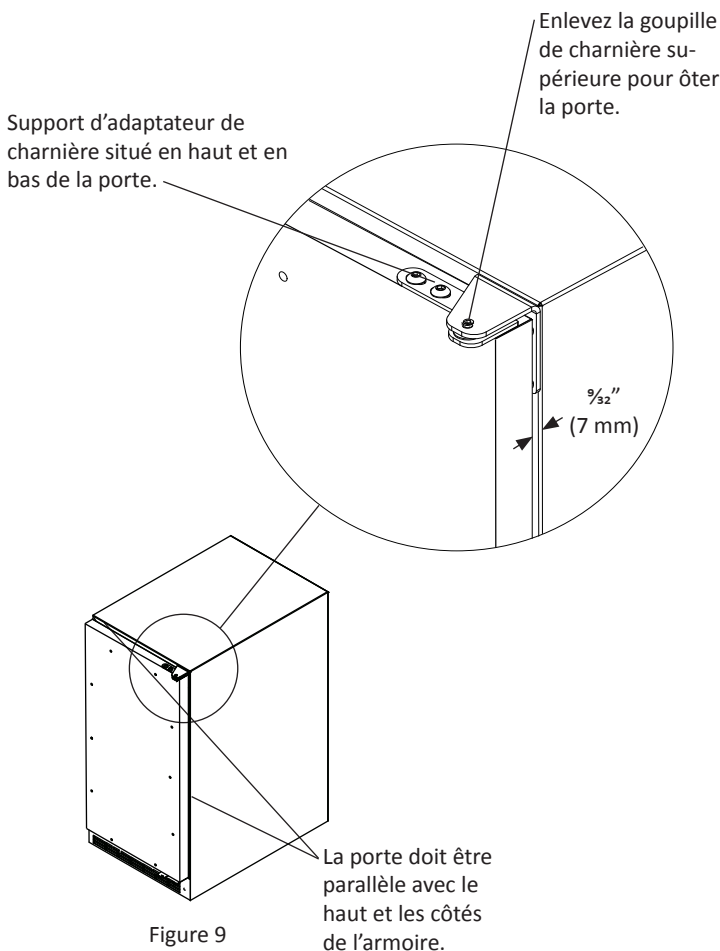
** Minimum rugueuse à l'ouverture requise est d'être supérieure à la hauteur ajustée de l'armoire.

INSTRUCTIONS D'INSTALLATION DE PANNEAU DE REVÊTEMENT COMPLET

ATTENTION

Étape 1 : Vérification de l'alignement de porte

Vérifiez que la porte est correctement alignée par rapport à l'armoire avant de fabriquer le panneau sur mesures. Sinon cela peut amener un désalignement du panneau sur mesures avec le support de charnière. La porte doit être parallèle avec les côtés et le dessus de l'armoire. Si un alignement est nécessaire, la porte peut être ajustée en desserrant les deux vis qui tiennent les supports d'adaptateur de charnière supérieure et/ou inférieure, situées en haut et en bas de la porte, et en réglant la porte d'un côté par rapport à l'autre. Utilisez une clé Allen de $\frac{3}{32}$ " pour cette procédure (Voir la Figure 9 ci-dessous). Quand l'alignement de porte est terminé, resserrez bien ces vis.



Étape 2 : Démontage de la porte

Enlevez la goupille de charnière supérieure avec une clé Allen de $\frac{3}{16}$ ". Enlevez la porte en inclinant son haut vers l'extérieur et en la soulevant pour la sortir de la charnière inférieure (Voir le détail en Figure 9).

Étape 3 : Enlèvement de joint

Posez la porte sur sa face avant en faisant attention de ne pas la rayer. Pour avoir accès aux trous de vis de montage, enlevez le joint de porte en le tirant pour le sortir de sa rainure.

Étape 4 : Découpe du panneau de revêtement

Selon le modèle de machine à glaçons, découpez le panneau de revêtement aux dimensions montrées en Figure 10.

REMARQUE

Pour un revêtement avec option de verrouillage, l'épaisseur de panneau doit faire $\frac{3}{8}$ " (19 mm) au maximum et $\frac{1}{8}$ " (16 mm) au minimum.

ATTENTION

Le poids du panneau de revêtement ne doit pas dépasser 20 lbs. (9,1 kg).

REMARQUE

Pour que la porte se ferme correctement, il est nécessaire de garder un espace de $\frac{3}{32}$ " (7 mm) au minimum entre la porte et le rebord de l'armoire (Voir la Figure 9). Cet espace peut se régler en ajustant les supports d'adaptateur de charnière en haut et en bas.

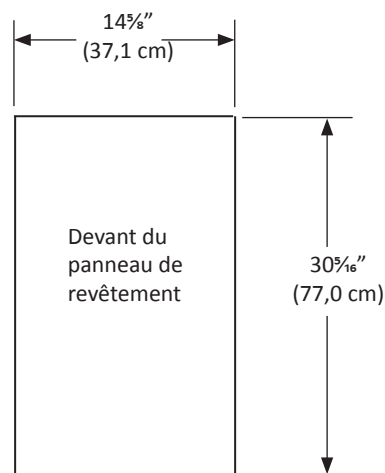


Figure 10

Pour modèle 25iM

Étape 5 : Percez des trous de passage dans le panneau de revêtement

Posez le panneau de revêtement sur la face avant de la porte, alignez les bords et maintenez les deux ensemble. Maintenez fermement le panneau faites attention de ne pas abîmer la porte ou le panneau. Marquez le centre du trou d'adaptateur de charnière sur le panneau en bois, en haut et en bas (Voir la Figure 11). Enlevez le panneau en bois de la porte et percez des trous de passage de diamètre $\frac{3}{16}$ " (8 mm) dans le panneau sur une profondeur de $\frac{3}{8}$ " (20 mm). Ce seront les trous de passage pour les tiges de charnière du haut et du bas.

C'est également le bon moment pour localiser et percer les trous de votre poignée. Le plus souvent cette poignée doit être similaire à celles du mobilier environnant. Si votre poignée se fixe depuis la face arrière du panneau personnalisé, localisez les trous de montage pendant que le panneau est maintenu sur la porte et l'armoire.

Une fois le panneau retiré de la porte, percez les trous de montage depuis la face avant, au diamètre recommandé par le fabricant de poignée. Fraisez sur la face arrière du panneau de façon à ce que les têtes de vis n'interfèrent pas avec la surface de la porte.

INSTRUCTIONS D'INSTALLATION DE PANNEAU DE REVÊTEMENT COMPLET

Étape 6 : Percez les trous de montage du panneau

Maintenez à nouveau le panneau sur la porte comme à l'étape précédente et percez les avant-trous de vis, situés dans le canal de joint, afin de fixer le panneau de revêtement à la porte. Choisissez la taille du trou à partir du Tableau B. Veillez à ne pas percer ces avant-trous en traversant le panneau de revêtement, $\frac{1}{2}$ " (12,7 mm) de profondeur pour des panneaux de $\frac{3}{4}$ " (19 mm) et $\frac{5}{8}$ " (15,7 mm).

Type de matériau	Vis à bois #8
Bois dur	Avant trou $\varnothing \frac{1}{8}$ " (3,2 mm)
Bois tendre	Avant trou $\varnothing \frac{3}{64}$ " (2,8 mm)

Tableau A

REMARQUE

Si votre machine à glaçons possède un verrouillage de porte, passez à l'étape 7. Sinon sautez directement à l'étape 9.

Étape 7 : Marquez et percez le trou pour verrouillage

Localisez et marquez avec un crayon l'emplacement du trou de verrouillage sur le panneau de revêtement, c'est le trou dans l'angle supérieur du côté de la poignée de la porte. Enlevez le dispositif de maintien et enlevez le panneau de revêtement de la porte. Sur la face arrière du panneau où vous avez marqué l'emplacement de verrouillage, percez un contre-alésage de diamètre $\frac{13}{16}$ " (20,5 mm) de $\frac{1}{16}$ " (11,0 mm) de profondeur dans le panneau de revêtement. Percez un trou de diamètre $\frac{1}{2}$ " (12,0 mm) dans le panneau de revêtement au milieu de ce contre-alésage en prenant soin de ne pas faire éclater le bois sur la face avant du panneau (Voir la Figure 13).

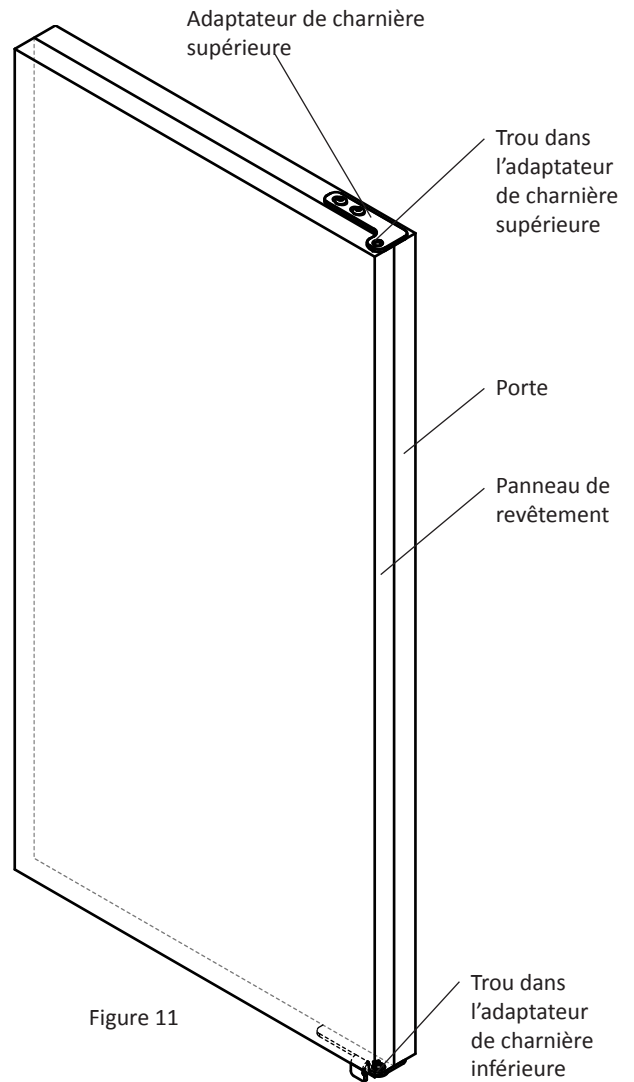


Figure 11

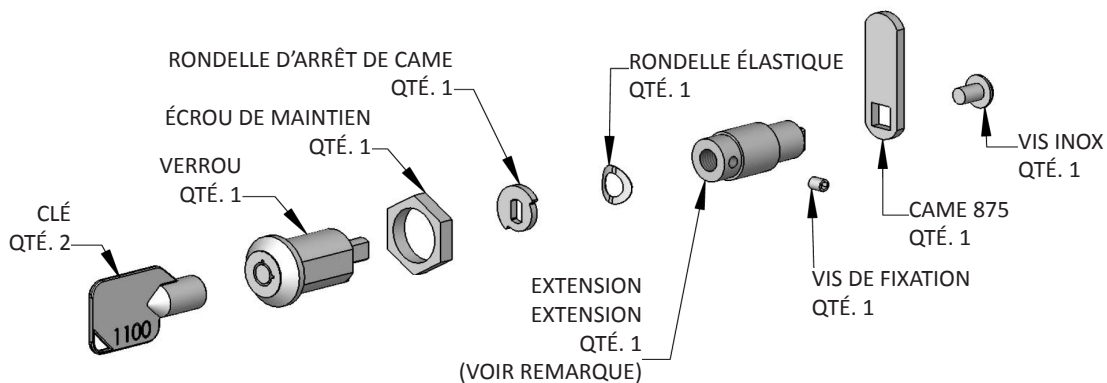


Figure 12

INSTRUCTIONS D'INSTALLATION DE PANNEAU DE REVÊTEMENT COMPLET

Étape 8 : Assemblez les pièces de verrouillage

Deux (2) extensions de verrouillage sont fournies avec le verrou. Utilisez l'extension la plus longue pour un panneau de revêtement d'épaisseur $\frac{3}{4}$ " et la plus courte pour un panneau d'épaisseur $\frac{5}{8}$ ". Assemblez l'extension de verrouillage, une rondelle d'arrêt de came, une rondelle élastique et une vis de fixation sur le verrou comme montré aux Figures 12 et 13.

Installez cet ensemble sur le panneau de revêtement avec l'écrou de maintien en utilisant une douille de 15 mm. Assurez-vous que la fente en trou de serrure du verrou est verticale.

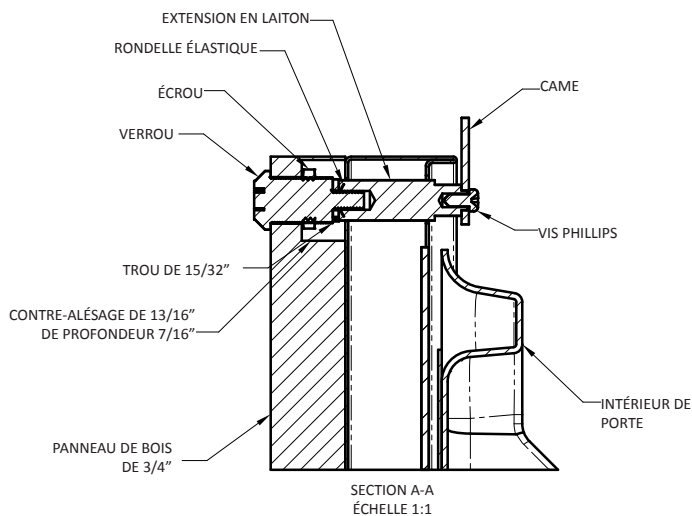


Figure 13

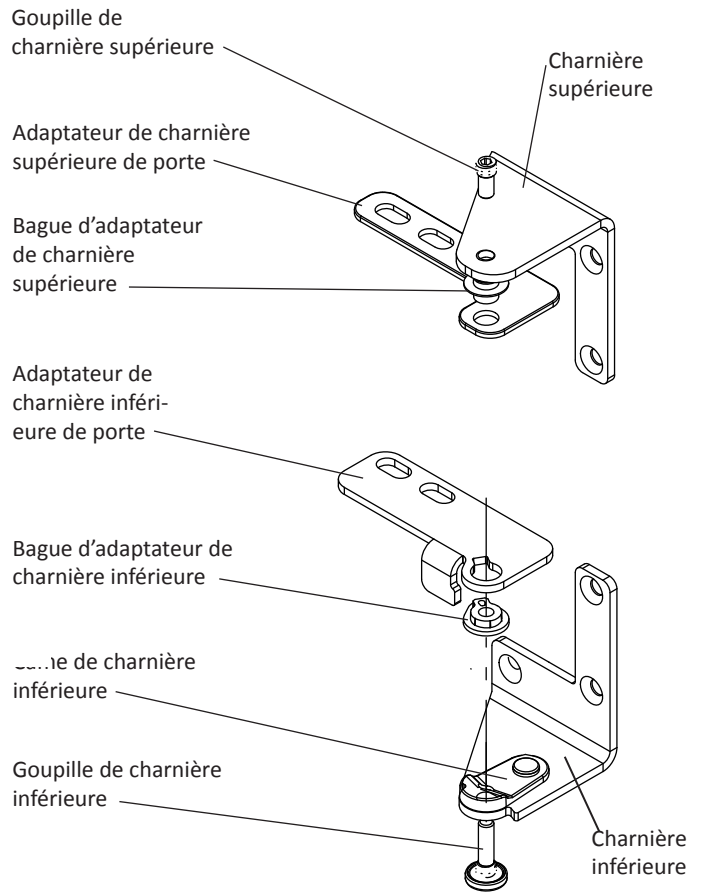


Figure 14
Charnière
montrées du côté droit

Étape 9 : Fixez le panneau de revêtement sur la porte

Avec les vis à bois #10 fournies, fixez le panneau de revêtement sur la porte (Voir la Figure 15).

Étape 10 : Installez la came de verrouillage (modèles avec verrou uniquement)

Fixez la came de verrouillage à l'arrière de l'ensemble de verrou avec la vis d'assemblage à tête Phillips fournie. Orientez la came de verrouillage verticalement en installant le verrou.

Étape 11 : Installez le joint de porte

Pressez le joint de porte dans le canal de la porte. Assurez-vous que les coins de joint sont bien insérés. Si c'est applicable, insérez une clé dans le verrou et vérifiez son bon fonctionnement.

Étape 12 : Installez la porte

Remettez les douilles d'adaptateur de charnière du haut et du bas (ôtées à l'étape 6) en place dans les adaptateurs de charnière. Installez la porte en inversant la procédure de l'étape 2. Remettez la goupille de charnière du haut de façon à ce que la tête de vis soit au niveau de la surface supérieure de la charnière. Si c'est applicable, insérez une clé dans le verrou et vérifiez si la came de verrouillage accroche correctement l'étrier de retenue sur l'avant de l'armoire de machine à glaçons.

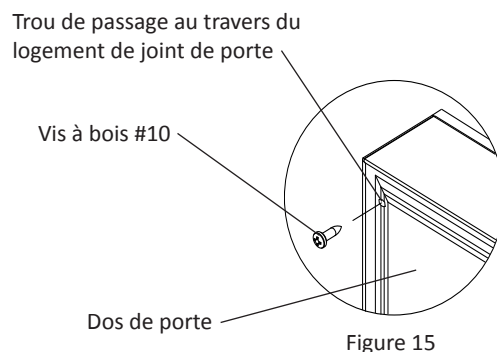


Figure 15

ENTRETIEN ET NETTOYAGE

Armoire

L'armoire peinte peut se laver avec une solution savonneuse douce, puis soigneusement se rincer à l'eau potable. N'utilisez JAMAIS de produits nettoyants abrasifs.

Intérieur

Lavez le compartiment intérieur avec une solution savonneuse douce. N'utilisez pas de nettoyant abrasif, de solvant, de produit nettoyant/polissant ou de détergent non-dilué.

Entretien de l'appareil

1. Évitez de vous appuyer sur la porte, vous pourriez déformer ses charnières ou faire basculer l'appareil.
2. Faites attention quand vous balayez, aspirez ou passez la vadrouille près de l'avant de l'appareil. Vous pourriez endommager sa grille.
3. Nettoyez périodiquement l'intérieur de l'appareil selon le besoin.
4. Vérifiez périodiquement la grille frontale et les serpentins de condenseur, et nettoyez-les si nécessaire.

Instructions de dégivrage

1. Poussez l'interrupteur à bascule situé dans la grille avant en position d'arrêt (OFF).
2. Enlevez le seau à glaçons et placez une serviette dans la partie frontale inférieure de la machine à glaçons pour absorber l'eau de dégivrage.
3. Une fois le dégivrage terminé, remettez en place le seau à glaçons et repassez l'interrupteur à bascule en position de marche (ON).

AVERTISSEMENT

N'utilisez pas de pic, de couteau ou n'importe quel outil acéré pour éliminer la glace. Vous risqueriez de percer le système de réfrigération de l'appareil et de l'endommager de façon irréparable. Vous pouvez accélérer le dégivrage en remplissant le seau à glaçons avec de l'eau chaude et en le remettant en place.

CONSEILS POUR LES ÉCONOMIES D'ÉNERGIE

Les suggestions générales suivantes vont minimiser le coût de fonctionnement de votre machine à glaçons.

1. N'installez pas votre appareil près d'un autre appareil chaud (cuisinière, lave-vaisselle, etc.), d'une conduite d'air chaud, ou d'autres sources de chaleur.
2. Placez l'appareil à l'abri du rayonnement solaire direct.
3. Assurez-vous que les événements de la grille de plinthe devant l'appareil en bas de la porte ne sont pas obstrués et maintenus propres de façon à permettre une ventilation du système de refroidissement et chasser la chaleur.
4. Branchez votre appareil sur un circuit d'alimentation secteur dédié (Sans partage avec d'autres appareils).
5. En maintenant un seau à glaçons relativement plein, il faut moins de périodes de fonctionnement en refroidissement de l'appareil qu'avec un compartiment vide.
6. Minimisez la fréquence et la durée des ouvertures de porte.
7. Utilisez le point de consigne de température le plus haut qui respecte votre préférence personnelle, et fournissez l'entreposage qui convient pour vos denrées conservées.
8. Quand vous êtes en vacances ou loin de la maison pour des périodes prolongées, réglez la consigne de l'appareil à la température la plus haute admissible pour la conservation de son contenu.
9. Réglez le contrôle en position d'arrêt (off) si le nettoyage de l'appareil nécessite que sa porte reste ouverte pour une période longue.

DÉPANNAGE DE VOTRE MACHINE À GLAÇONS

Avant d'appeler pour du service

Si l'appareil semble présenter un dysfonctionnement, commencez par bien relire son manuel. Si le problème persiste, consultez le guide de dépannage qui suit. Identifiez le problème dans ce guide et consultez les colonnes de causes et de remèdes avant d'appeler pour du service. Le problème peut être quelque chose de très simple qui peut se résoudre sans demander une intervention de service. Cependant il peut être nécessaire de contacter votre revendeur ou un technicien de service qualifié.

AVERTISSEMENT

Risque d'électrocution – Ne tentez jamais de réparer ou d'exécuter de la maintenance sur l'appareil avant que son alimentation électrique n'ait été débranchée en amont. Passer l'appareil sur arrêt (OFF) n'enlève pas la présence de tension secteur sur les fils de câblage.

Problème	Cause possible	Correction
L'appareil fonctionne mais ne produit pas de glaçons.	<ul style="list-style-type: none"> • L'appareil vient d'être démarré depuis moins de 24 heures. • L'arrivée d'eau n'est pas ouverte. • La pression d'eau arrivant à l'appareil est incorrecte. • Le bras de coupure de la machine à glaçons est resté en position la plus en haut. • La section de congélation n'a pas atteint sa température. • Le thermostat de contrôle a une consigne trop chaude • Le flux d'air de ventilation du condenseur est réduit. • La température de la pièce et/ou de l'arrivée d'eau est trop élevée. 	<ul style="list-style-type: none"> • La production type de glaçons est de 12 livres (5,44 kg) par jour. Laissez la section de congélation descendre à sa température, et la machine à glaçons fonctionner cycliquement et accumuler des glaçons. • Ouvrez l'arrivée d'eau vers l'appareil. • La pression d'eau à l'appareil doit faire au moins 20 psi. • Quand le bras de coupure de la machine reste en position la plus haute, la machine est à l'arrêt. Abaissez ce bras pour démarrer la machine à glaçons. • Laissez la section de congélation atteindre sa bonne température. • Passez la commande de consigne de température sur un chiffre plus élevé pour que l'appareil devienne plus froid. Laissez 24 heures avant d'ajuster à nouveau la consigne de température. • Assurez-vous que la grille sur l'avant de l'appareil est dégagée et ouverte pour que l'air circule bien. Nettoyez cette grille si besoin est. • Déplacez l'appareil dans une zone où la température ambiante est inférieure à 90°F (32 °C). Il ne faut pas la placer près d'une source de chaleur telle qu'un four. Vérifiez que le raccordement est bien sur de l'eau froide.
Les cubes de glace sont petits	<ul style="list-style-type: none"> • L'arrivée d'eau peut nécessiter un réglage. 	<ul style="list-style-type: none"> • Du fait de pressions d'eau différentes, l'arrivée d'eau à la machine à glaçons peut nécessiter un ajustement. Voyez la Figure 8 en page 7 pour l'emplacement de la vis de réglage d'arrivée d'eau.
Les glaçons se collent les uns aux autres.	<ul style="list-style-type: none"> • La consommation de glaçons est trop faible. • La température de la pièce est trop élevée. 	<ul style="list-style-type: none"> • Utilisez plus fréquemment des glaçons du bac. Les glaçons vont se coller s'ils sont laissés trop longtemps dans le bac isolé. • Déplacez l'appareil dans une zone où la température ambiante est inférieure à 90°F (32 °C).

DÉPANNAGE DE VOTRE MACHINE À GLAÇONS

Problème	Cause possible	Correction
L'appareil est trop chaud ou trop froid à l'intérieur.	<ul style="list-style-type: none"> • Le contrôle a une consigne trop chaude ou trop froide • La température du contenu n'est pas encore stabilisée. • Utilisation excessive ou ouvertures prolongées de la porte. • Blocage du flux d'air de la grille frontale. • Défaut d'étanchéité du joint de porte. 	<ul style="list-style-type: none"> • Réglez la consigne de température pour plus chaud ou plus froid selon le besoin. Laissez stabiliser la température 24 heures. • Laissez la température se stabiliser pendant au moins 24 heures. • Le flux d'air ne doit pas être obstrué à la grille frontale. Consultez les valeurs d'écartements en page 4. • Vérifiez l'alignement de porte et/ou changez le joint de porte.
Bruit ou vibration	<ul style="list-style-type: none"> • L'appareil n'est pas d'aplomb. • La vibration vient du tube d'arrivée d'eau. 	<ul style="list-style-type: none"> • Mettez l'armoire d'aplomb, voyez en page 4 le réglage des pieds de mise à niveau. • Ajustez la forme du tube si nécessaire pour éliminer les vibrations inopportunes.
L'appareil ne fonctionne pas.	<ul style="list-style-type: none"> • L'appareil est à l'arrêt. • Le cordon secteur n'est pas branché. • La prise secteur n'est pas alimentée. 	<ul style="list-style-type: none"> • Mettez l'appareil en marche. Voyez en page 7 la section sur la fixation de consigne de température. • Branchez la fiche du cordon. • Vérifiez l'alimentation électrique de votre maison.
De l'humidité s'accumule sur la surface extérieure de l'armoire.	<ul style="list-style-type: none"> • Le temps est chaud et humide. 	<ul style="list-style-type: none"> • Des conditions ambiantes très chaudes et humides peuvent causer de la condensation sur l'extérieur de l'armoire. Quand la conjugaison de chaleur et d'humidité baisse, la condensation disparaît.
De l'humidité s'accumule sur la surface intérieure de l'appareil.	<ul style="list-style-type: none"> • Les ouvertures de porte sont trop nombreuses. • Les ouvertures de porte durent trop longtemps. • Le temps est chaud et humide. 	<ul style="list-style-type: none"> • Limitez le nombre d'ouvertures de porte. • Limitez la durée pendant laquelle la porte reste ouverte. • Le temps est chaud et humide. Déplacez l'appareil dans un environnement climatisé.

OBTENTION DE SERVICE

Si du service est nécessaire :

- Si le produit est encore dans sa première année de garantie, veuillez appeler le service à la clientèle d'AGA MARVEL au 800.223.3900 pour avoir des instructions sur la façon d'obtenir une couverture sous garantie dans votre secteur.
- Si le produit est sorti de sa première année de garantie, le service à la clientèle d'AGA MARVEL peut vous fournir des recommandations sur les centres de service de votre secteur. Une liste des centres de service agréés est également disponible sur le site www.agamarvel.com sous la section de service et d'assistance.
- Dans toute correspondance relative au service, assurez-vous de bien fournir la référence de modèle, le numéro de série et le justificatif de l'achat.
- Essayez de donner des informations ou une description de la nature du problème, sur la durée pendant laquelle l'appareil a fonctionné, sur les températures de la pièce et de l'eau, et toutes les informations pouvant être utiles pour une résolution rapide du problème.
- Le Tableau B est fourni pour enregistrer les informations pertinentes sur votre produit, comme référence ultérieure.

Pour vos archives	
Date d'achat	
Nom du revendeur	
Adresse du revendeur	
Ville du revendeur	
État/province du revendeur	
Code Zip/postal du revendeur	
N° de série de l'appareil	
Référence de modèle de l'appareil	
Date d'envoi de la carte de garantie (à faire dans les 10 jours après l'achat)	

Tableau B

GARANTIE D'APPAREIL À USAGE DOMESTIQUE

Appareil complet

Garantie limitée d'un an sur pièces et main-d'œuvre

AGA MARVEL garantit qu'il fournira toutes les pièces et la main-d'œuvre nécessaires pour réparer ou remplacer, au domicile ou au bureau de l'utilisateur final, tout composant avéré défectueux du fait des matériaux ou de la main-d'œuvre, en tenant compte des conditions et exclusions décrites plus bas, pendant une période d'une année à compter de la date d'achat par l'utilisateur final.

Période additionnelle de la deuxième à la cinquième année

Garantie limitée sur les pièces uniquement

Durant les quatre ans qui suivent l'expiration de la garantie limitée d'un an, AGA MARVEL va fournir des pièces de remplacement pour le système de refroidissement hermétiquement scellé (constitué de : compresseur, condenseur, déshydrateur, accumulateur, vanne de contournement, tube de raccordement et évaporateur), s'il s'avère défectueux du fait des matériaux ou de la main-d'œuvre, en tenant compte des conditions et exclusions qui suivent.

Les garanties précédentes ne couvrent pas :

- Les coûts d'expédition des pièces de remplacement ou des pièces défectueuses renvoyées.
- L'éducation du client ou des instructions sur la façon d'utiliser l'appareil
- Toute perte de contenu due à une panne de produit.
- Le déplacement ou l'installation de l'appareil.

Les garanties qui précèdent ne couvrent pas non plus une panne de ce produit ou de ses composants due à :

- Transport ou dommages consécutifs au transport.
- Utilisation commerciale, ou autre qu'un usage domestique normal ou un usage dans un petit bureau.
- Une utilisation incorrecte, un mésusage, un abus, un accident ou une altération, un câblage de raccordement non conforme aux normes électriques, une tension secteur trop élevée ou trop faible, un défaut d'entretien notoire, ou toute autre utilisation non raisonnable.

Pièces ou service non fournis ou conçus par AGA MARVEL

Les garanties qui précèdent ne s'appliquent pas non plus si :

- L'acte de vente d'origine, la date de livraison, ou le numéro de série ne peuvent pas être vérifiés.
- Les pièces défectueuses ne sont pas renvoyées pour inspection si c'est demandé par AGA MARVEL.
- L'équipement de refroidissement n'est plus en la possession de l'acheteur utilisateur final d'origine.

Les garanties décrites ici sont les seules fournies par AGA MARVEL. Toutes les garanties implicites, y compris la garantie implicite de valeur marchande, sont limitées à la durée des garanties explicites. En aucun cas, AGA MARVEL ne sera tenue pour responsable de tous dommages ou dépenses consécutifs ou annexes, résultant d'une inobservation de ces garanties ou d'autres garanties, qu'elles soient explicites ou implicites.

Certains États et certaines Provinces ne permettent pas l'exclusion ou la limitation des dommages consécutifs ou une limitation de la durée applicable des garanties implicites, dont la limitation ou exclusion qui précède peu ne pas être applicable à votre cas. Cette garantie vous donne des droits légaux spécifiques, et vous pouvez avoir d'autres droits qui peuvent varier d'un État à un autre.

Aucune personne, firme ou corporation, n'est autorisée à donner une garantie différente, ni à assumer une quelconque autre obligation pour AGA MARVEL. Ces garanties ne s'appliquent qu'à des produits utilisés dans un des cinquante États des États-Unis d'Amérique et dans le District de Columbia.

Pour obtenir une action dans le cadre de cette garantie, signalez tous les défauts constatés à :

AGA MARVEL

1260 E. VanDeinse St.
Greenville MI 48838

Téléphone : 800.223.3900



www.agamarvel.com

AGA MARVEL
1260 E. VanDeinse St.
Greenville MI 48838

800.223.3900

41011771-CFR Rév. R
3/12/12

Toutes les spécifications et les conceptions des produits sont sujettes à des changements sans préavis. De telles révisions ne donnent aucun droit pour l'acheteur de produits antérieurs à bénéficier de ces changements, améliorations, ajouts, remplacements, ni de recevoir une compensation.