

6-CYCLE/6-OPTION DISHWASHER

PRELIMINARY



Panel-Ready™
KDTE304DPA

PROSCRUB® OPTION

This innovation uses 40 targeted spray jets at the back of the dishwasher to master stubborn messes like seared, caramelized, or baked-on foods. Pots and pans don't need soaking or pre-scrubbing before they're washed.

PROWASH™ CYCLE

Takes the guesswork out of getting exceptional cleaning. This cycle automatically adjusts water and energy use to optimize cleaning performance.

HEAT DRY OPTION

Delivers faster and more complete drying by activating a recessed heating element during the drying cycle. During the dry cycle, the heater pulses on and off at appropriate intervals to ensure dry dishes.

KDTE304DPA – 45 dBA*

PERFORMANCE

- Filter-Based Wash System
- 6 Cycles (ProWash™ Tough, Normal, Light, Express Wash, Rinse Only)
- 6 Options (Heat Dry, ProScrub®, Hi-Temp Wash, Sani Rinse, 4-Hour Delay, Control Lock)
- Dedicated Drying System with Heat Dry Option
- Whisper Quiet® 45 Sound Insulation System
- ENERGY STAR® Qualified
- CEE Tier 1 Qualified

CRAFTSMANSHIP & DESIGN

- Concealed Controls
- Durable Stainless Steel Construction
 - Inner Tub
 - Lower Wash Arms
- 14 Place Setting Capacity
- Status Lights
- Flood Protection Technology
- DuraKote™ Nylon-Coated Racks

Upper Rack

- Adjustable with SatinGlide® Max System
- Robust Handle with Stainless Steel Insert
- 2 Fold-Down Rows with Two-Position Tines
- 4 Sure-Hold® Light Item Clips
- Fold-Down Shelf with Stemware Holders
- Utility Basket

Lower Rack

- Fold-Down Row with Three-Position Tines
- Sliding Tines
- Culinary Caddy® Utensil Basket
- Silverware Basket with Two Lids

COLOR

- Panel-Ready (PA)**

*Per IEC standards, normal cycle.

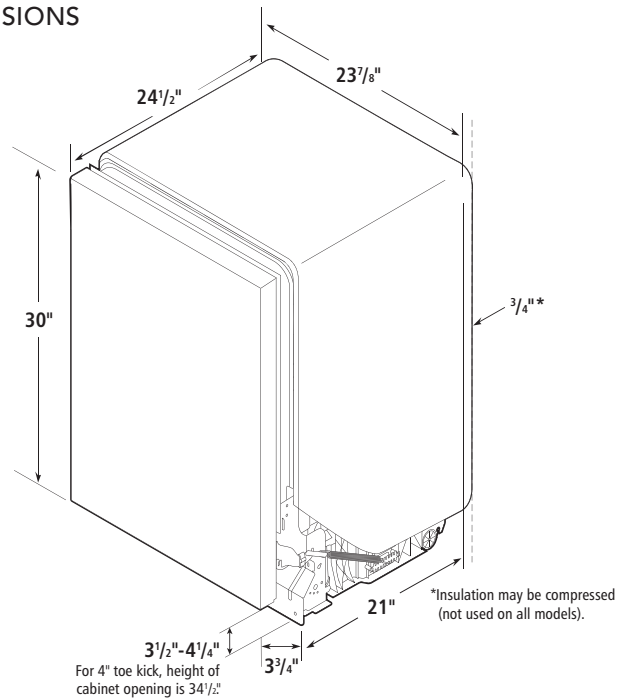
**Requires custom panel and handle, not included.

6-CYCLE/6-OPTION DISHWASHER

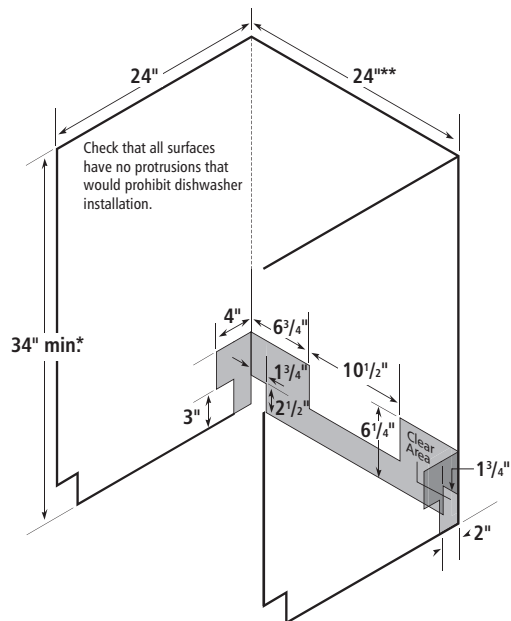
KDTE304DPA

PRELIMINARY

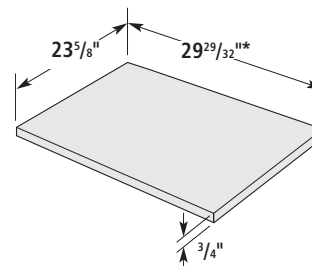
PRODUCT DIMENSIONS



CUTOUT DIMENSIONS



CUSTOM PANEL DIMENSIONS



*This dimension is for a 4" toe kick. If the installation needs a higher toe kick, adjust the height of the wood panel accordingly except on models with ProDry™. Not recommended for toe kicks greater than 6".

NOTE: Shaded areas of cabinet walls show where utility connections may be installed.

*Measured from the lowest point on the underside of countertop. May be reduced to 33 1/2" by removing the wheels and perforated area of insulation (blanket) on dishwasher.

**Minimum, measured from narrowest point of opening.

Dimensions are for planning purposes only. For complete details, see Installation Instructions packed with product. Specifications subject to change without notice.

For additional information about KitchenAid® appliances, visit KitchenAid.com or call the Customer Experience Center at 800-422-1230. We'll help you select the ideal model and answer questions about appliance operation and performance.



KitchenAid®