



Wolf New Generation Design Guide





Contents

- 3 E Series Ovens
- 8 Microwave Ovens
- 14 Electric Cooktops
- 21 Gas Cooktops
- 25 Wolf Warranty

Features and specifications are subject to change at any time without notice. Visit wolfappliance.com/specs for the most up-to-date information.

IMPORTANT NOTE: Throughout this guide, dimensions may vary by $\pm 1/8"$ (3). Dimensions in parentheses are millimeters unless otherwise specified.

24" E Series Oven

The Wolf E series lineup now offers a new 24" wide model for kitchens where space is limited. Smart technology gives E series ovens ten cooking modes, with convection fan for even heating, helping to create great meals with ease. Wolf E series ovens are crafted of stainless steel. Tubular handles match the rest of the new Wolf cooking appliance offering, providing a more cohesive family look. The 24" E series oven can be installed in a standard or flush inset application.

KEY FEATURES

- Convection fan for even heat distribution.
- Ten cooking modes for precise, easy-to-use control.
- Self-cleaning oven.
- Full-extension bottom rack for easier access to foods.
- Balanced door hinge system for smooth opening and closing of the door.

24" E SERIES OVEN

TRANSITIONAL

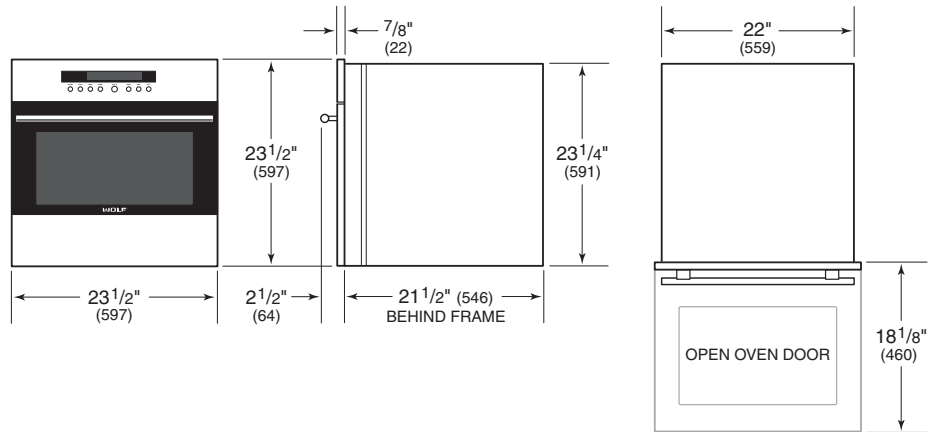


SO24TE/S/TH

WOLF E SERIES OVENS

24" E Series Oven

TRANSITIONAL



Planning Information

The 24" E series oven can be installed in a standard or flush inset application. If a cooktop is being installed above an oven, a minimum of 1/4" (6) is required between units. Location of the electrical supply within the oven opening may require additional cabinet depth.

Finish the edges of the opening. They may be visible when the door is open.

For standard installations, face trim will overlap stiles and rails. Refer to the chart below.

For flush inset installations, a minimum 1/4" (6) reveal is required on all sides. To ensure consistent reveals, each corner of the opening must be exactly 90°.

INSTALLATION REQUIREMENTS	
BASE SUPPORT	MIN
24" E Series Oven	150 lb (68 kg)
TRIM OVERLAP	
Top	1/4" (6)
Bottom	0" (0)
Sides	11/16" (17)

ELECTRICAL

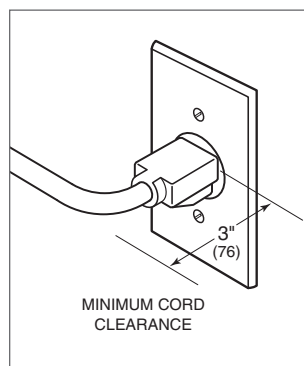
Installation must comply with all applicable electrical codes.

Locate the electrical supply flush with the back wall and within the shaded area shown in the illustrations on the following pages. For ease of installation, the electrical supply for the oven can be placed in an adjacent cabinet within reach of the conduit.

Performance may be compromised if the electrical supply is less than 240 volts.

The 24" oven comes equipped with a standard NEMA 6-20P style plug. Refer to the illustration below for minimum power cord plug clearance.

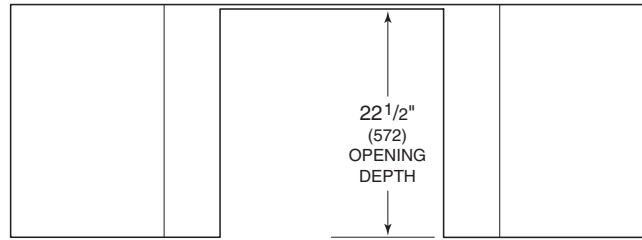
ELECTRICAL REQUIREMENTS	
Electrical Supply	grounded, 240/208 VAC, 60 Hz
Service	20 amp dedicated circuit
Receptacle	NEMA 6-20R grounding-type
Power Cord	6' (1.8 m)



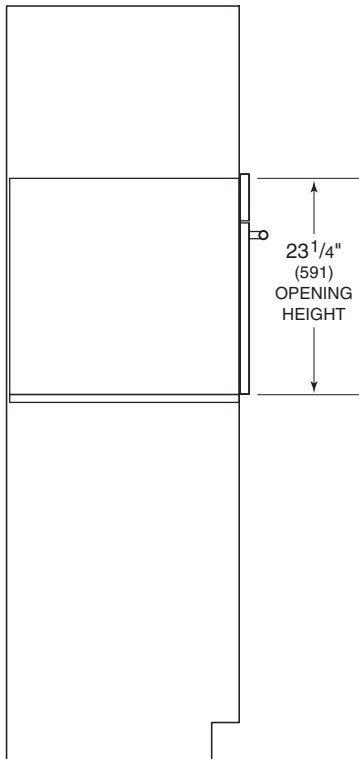
Power cord clearance.

24" E Series Oven

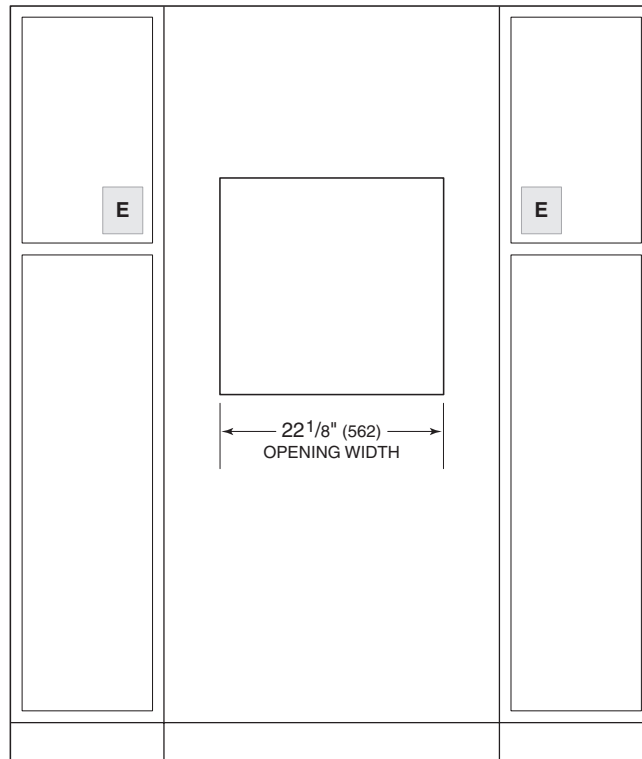
STANDARD INSTALLATION



TOP VIEW



SIDE VIEW

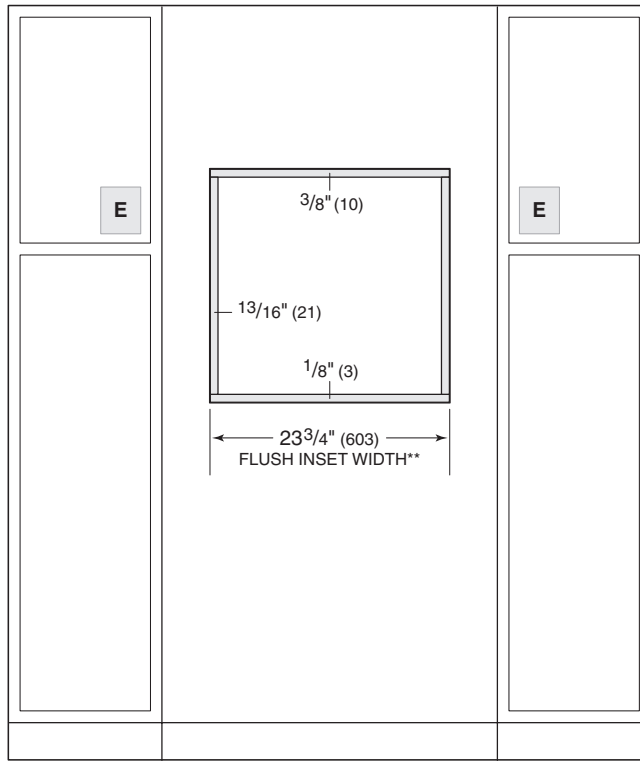
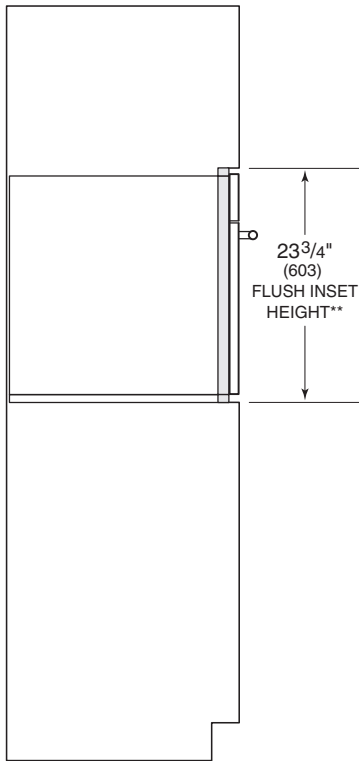
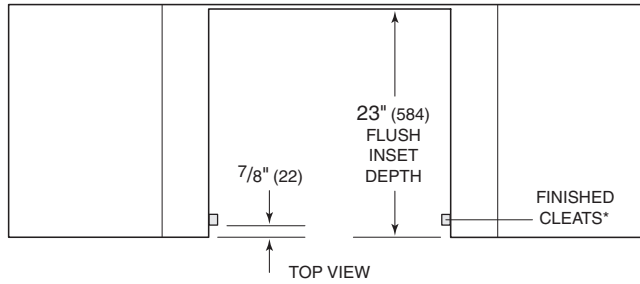


FRONT VIEW

NOTE: Electrical supply must be located in adjacent cabinet within 3' (.9 m) of opening.

24" E Series Oven

FLUSH INSET INSTALLATION



SIDE VIEW

FRONT VIEW

*Will be visible and should be finished to match cabinetry.

**Dimension provides minimum reveals.

NOTE: Electrical supply must be located in adjacent cabinet within 3' (.9 m) of opening.



Drop Down Door Microwave Ovens

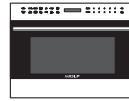
As true cooking instruments, Wolf microwave ovens have features that make fast meals better meals. New drop down door microwaves feature a door that hinges at the bottom for easier access to foods. Available in 24" and 30" widths, they are designed to match Wolf transitional, professional and contemporary products. Drop down door microwaves can be installed in a standard or flush inset application.

KEY FEATURES

- Distinct styles compliment the look of Wolf ovens.
- Bottom-hinged door.
- Large-capacity interior.
- Sensor cooking to monitor and adjust settings.
- Warming feature for gentle heating.
- Reheat setting is perfect for leftovers.

DROP DOWN DOOR MICROWAVES

TRANSITIONAL



MDD24TE/S/TH

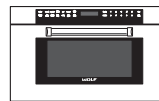


MDD30TM/S/TH



MDD30TE/S/TH

PROFESSIONAL



MDD30PM/S/PH



MDD30PE/S/PH

CONTEMPORARY

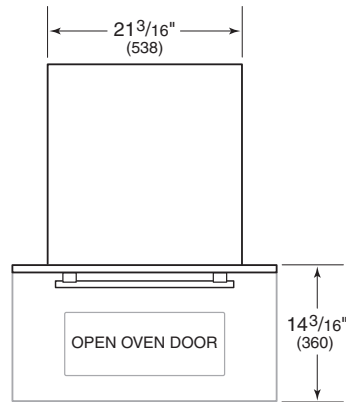
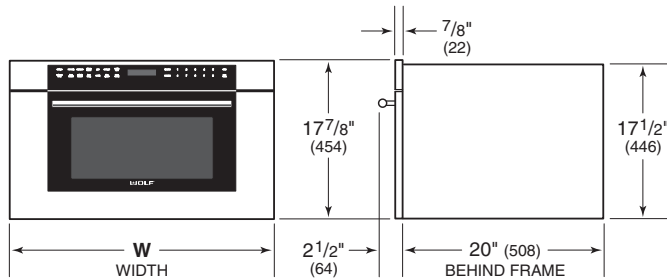


MDD30CM/B/TH

WOLF MICROWAVE OVENS

Drop Down Door Microwave Ovens

TRANSITIONAL

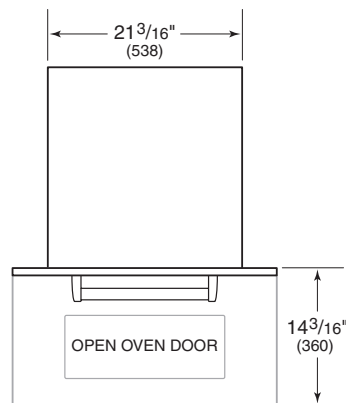
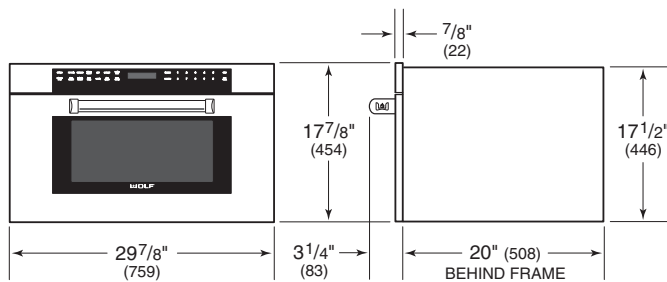


WIDTH

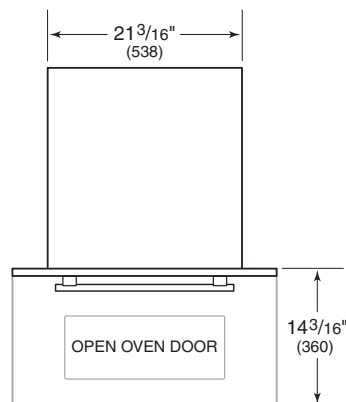
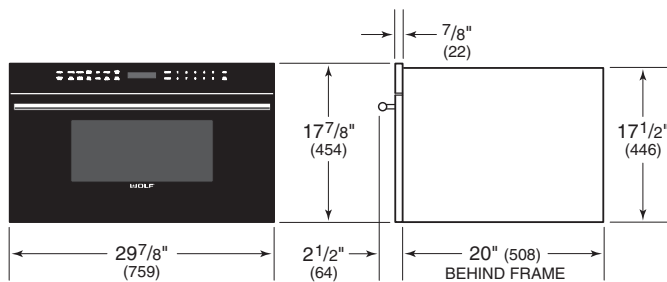
TRANSITIONAL

Model	Width (W)
24" Model	23 1/2" (597)
30" Model	29 7/8" (759)

PROFESSIONAL



CONTEMPORARY



Planning Information

The drop down door microwave oven can be installed in a standard or flush inset application.

Finish the edges of the opening. They may be visible when the door is open.

For standard installations, face trim will overlap stiles and rails. Refer to the chart below.

For flush inset installations, a minimum 1/8" (3) reveal is required on all sides. To ensure consistent reveals, each corner of the opening must be exactly 90°.

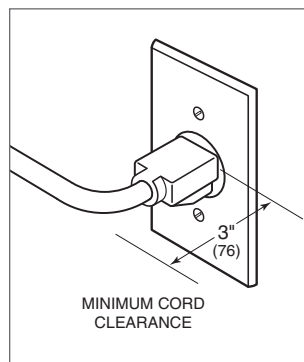
INSTALLATION REQUIREMENTS			
BASE SUPPORT		MIN	
Drop Down Door Microwave		125 lb (57 kg)	
TRIM OVERLAP	24" MODEL	30" MODEL	
Top	3/16" (5)	3/16" (5)	
Bottom	0" (0)	0" (0)	
Sides	1 1/16" (18)	3 7/8" (98)	

ELECTRICAL

Installation must comply with all applicable electrical codes.

Locate the electrical supply as shown in the illustrations on the following pages. The receptacle may also be located in an adjacent cabinet within reach of the power cord. A separate circuit, servicing only this appliance is required. A ground fault circuit interrupter (GFCI) is not recommended and may cause interruption of operation. Refer to the illustration below for minimum power cord plug clearance.

ELECTRICAL REQUIREMENTS	
Electrical Supply	grounded, 120 VAC, 60 Hz
Service	15 amp dedicated circuit
Receptacle	3-prong grounding-type
Power Cord	4' (1.2 m)

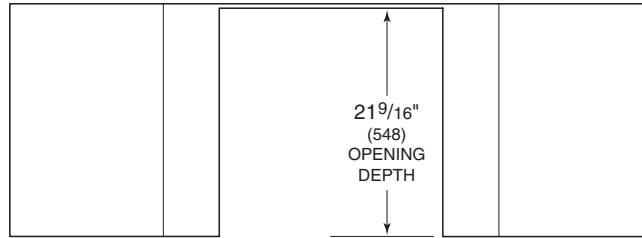


Power cord clearance.

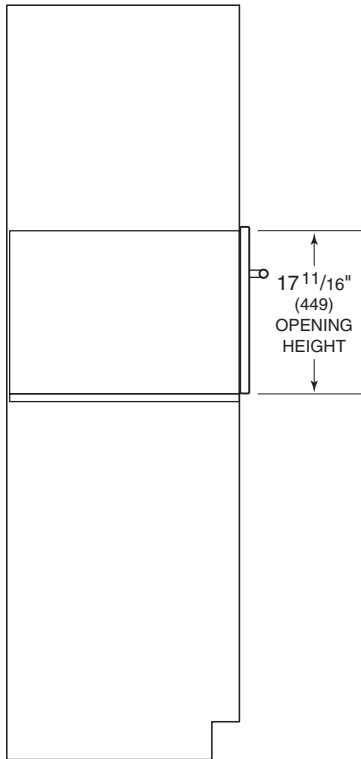
WOLF MICROWAVE OVENS

Drop Down Door Microwave Oven

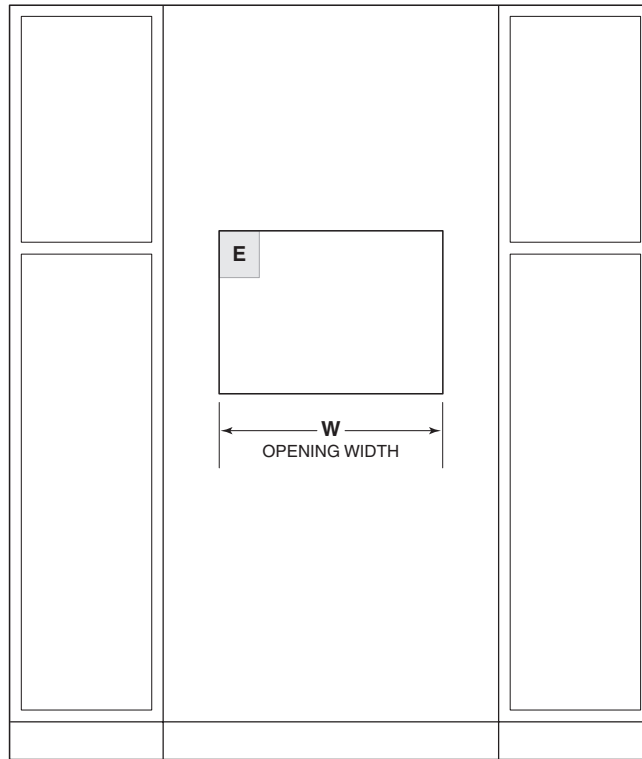
STANDARD INSTALLATION



TOP VIEW



SIDE VIEW



FRONT VIEW

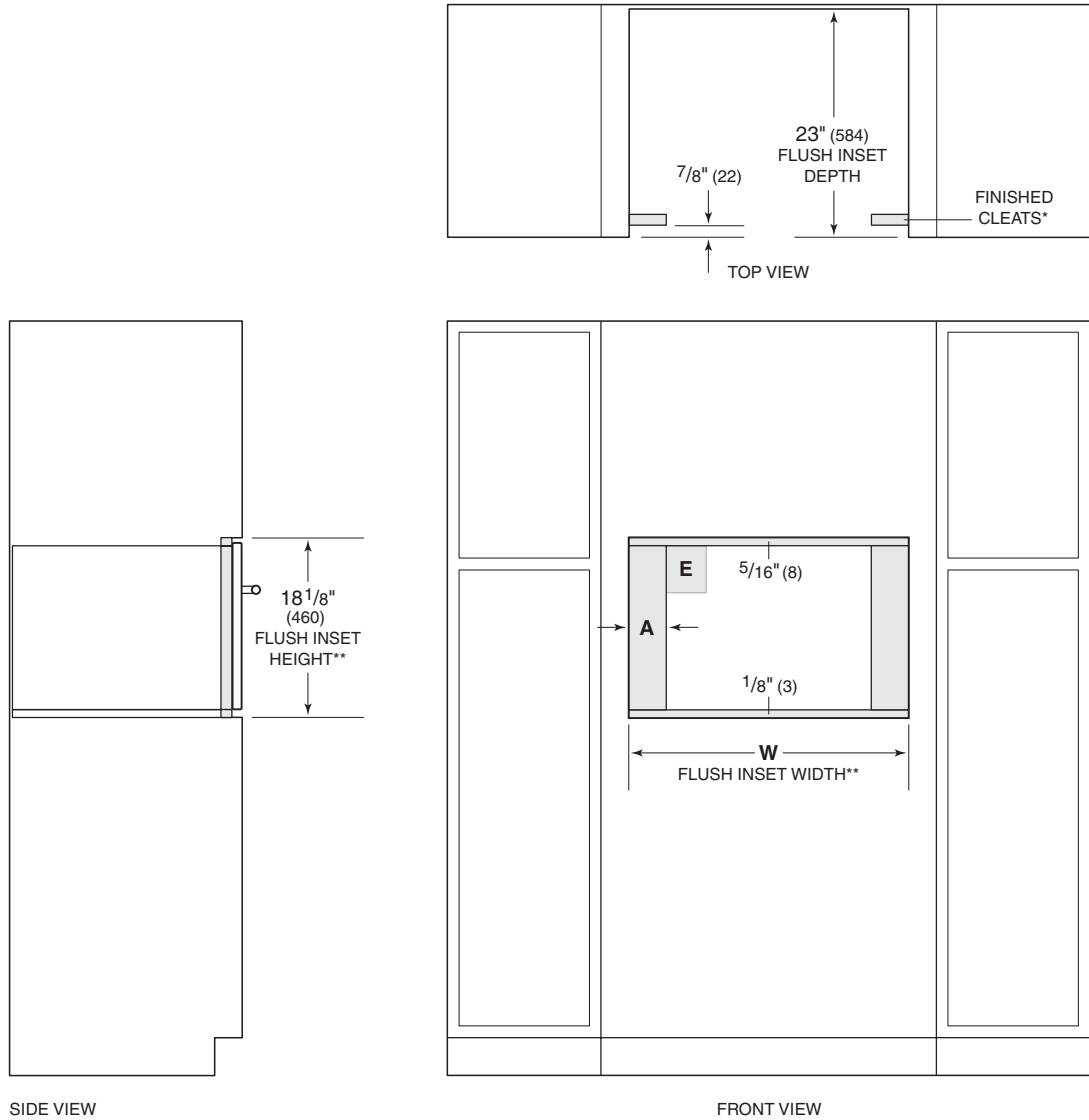
NOTE: 24" (610) and 30" (762) models require the same opening dimensions.

OPENING WIDTH

DROP DOWN DOOR MICROWAVE	W
24" Model	22 ¹ / ₈ " (562)
30" Model	22 ¹ / ₈ " (562)

Drop Down Door Microwave Oven

FLUSH INSET INSTALLATION



*Will be visible and should be finished to match cabinetry.
**Dimension provides minimum reveals.

FLUSH INSET WIDTH		
DROP DOWN DOOR MICROWAVE	W	A
24" Model	23 3/4" (603)	1 3/16" (21)
30" Model	30 1/8" (765)	4" (102)



Electric Cooktops

Sleek. Minimal. And let's not forget powerful and precise. Wolf electric cooktops offer two modern, refined looks—transitional and contemporary. All the elements feature a true simmer setting that hold sauces and stews below the boiling point. One element includes an even lower one-touch melt setting. Transitional models have stainless steel trim. Contemporary models can be mounted flush with the countertop.

KEY FEATURES

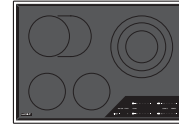
- Ceran glass-ceramic surface for scratch resistance and easy cleaning.
- High-frequency pulsation technology for more even heating.
- Touch controls, invisible when the cooktop is off, display an intuitive power scale for precise control.
- True simmer setting prevents scorching.
- Melt setting on one element for gentle heat.
- Dual and triple elements to customize heat for pans of all sizes.
- Bridge-zone element to create a larger cooking area.

ELECTRIC COOKTOPS

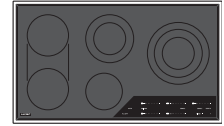
TRANSITIONAL



CE152T/S

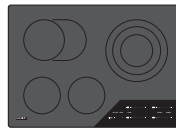


CE304T/S

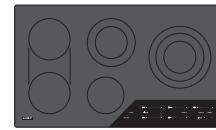


CE365T/S

CONTEMPORARY



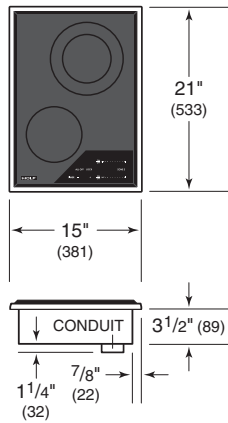
CE304C/B



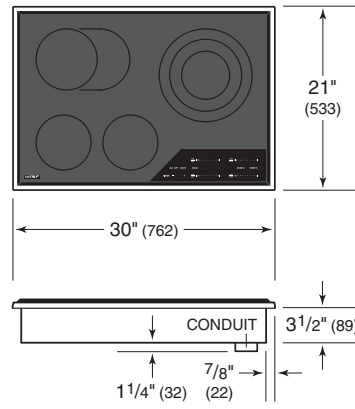
CE365C/B

Electric Cooktops

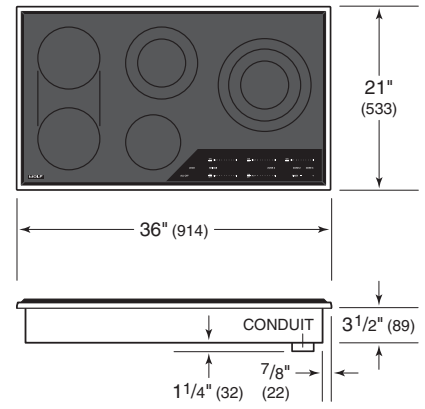
15" TRANSITIONAL



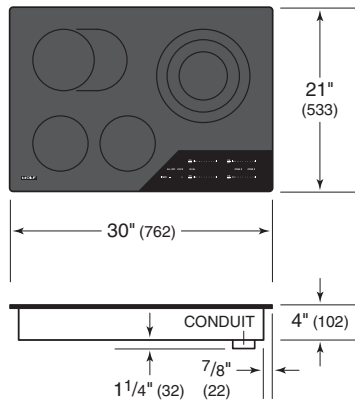
30" TRANSITIONAL



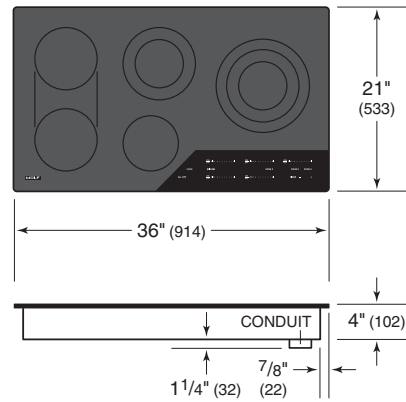
36" TRANSITIONAL



30" CONTEMPORARY



36" CONTEMPORARY



ELEMENT RATING	
15" ELECTRIC COOKTOP	
8" (203) Dual	W 700 / 2200
5 1/2" (140) Single	1200
30" ELECTRIC COOKTOP	
10 1/2" (267) Triple	W 1050 / 1950 / 2700
(2) 5 1/2" (140) Singles	1200
6 1/2" (165) Single with Oval	2400
36" ELECTRIC COOKTOP	
10 1/2" (267) Triple	W 1050 / 1950 / 2700
8" (203) Dual	700 / 2200
5 1/2" (140) Single	1200
(2) 7" (178) Singles with Bridge	4400

Planning Information

A minimum 2" (51) is required from the bottom of the cooktop to combustible materials.

Contemporary electric cooktops can be mounted flush with the top of the countertop, or as a frameless standard installation sitting on top of the countertop surface. If the cooktop is to be mounted flush with the countertop, a recessed area surrounding the cooktop cut-out must be provided. Wolf downdraft systems cannot be used with contemporary electric cooktops.

IMPORTANT NOTE: Flush mount installations are intended for granite, solid surface or stone countertop surfaces only.

ELECTRICAL

Installation must comply with all applicable electrical codes.

Locate the electrical supply as shown in the illustrations on the following pages. A separate circuit, servicing only this appliance is required.

Performance may be compromised if the electrical supply is less than 240 volts.

ELECTRICAL REQUIREMENTS

ELECTRIC COOKTOP

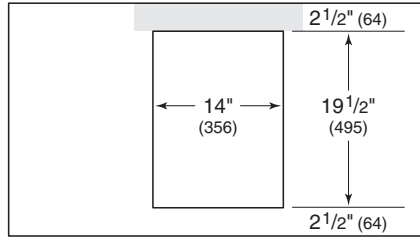
Electrical Supply	3-wire, 240/208 VAC, 60 Hz
Conduit	flexible 4' (1.2 m)

SERVICE

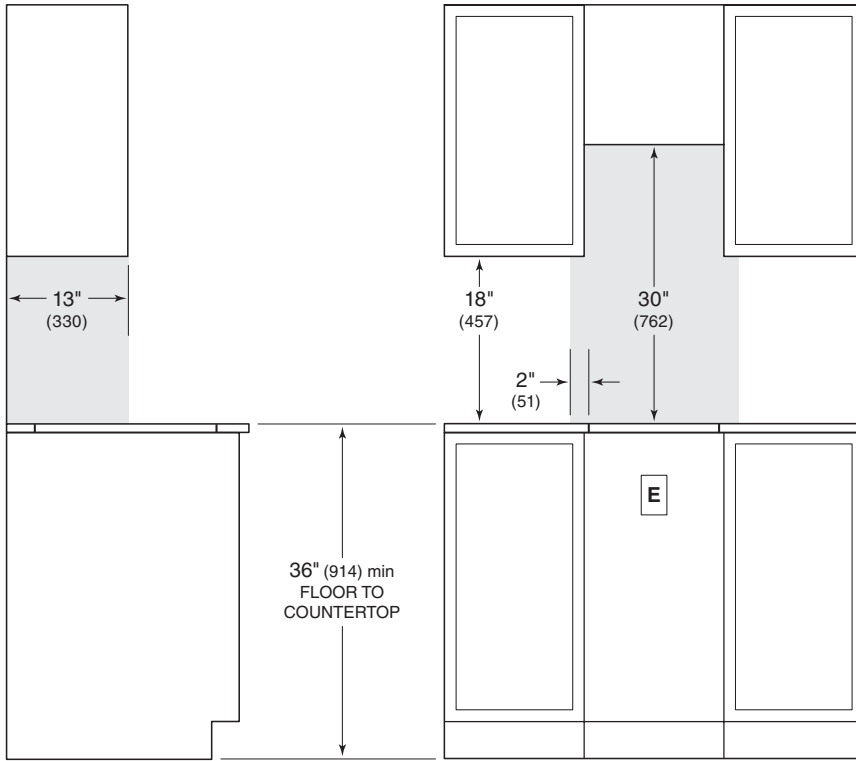
15" Cooktop	20 amp dedicated circuit
30" Cooktop	40 amp dedicated circuit
36" Cooktop	50 amp dedicated circuit

15" Electric Cooktop

STANDARD INSTALLATION



COUNTERTOP CUT-OUT



SIDE VIEW

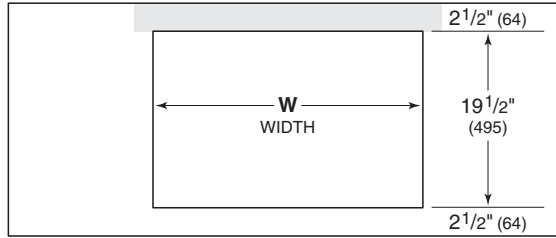
FRONT VIEW

NOTE: Shaded area above countertop indicates minimum clearance to combustible surfaces, combustible materials cannot be located within this area.

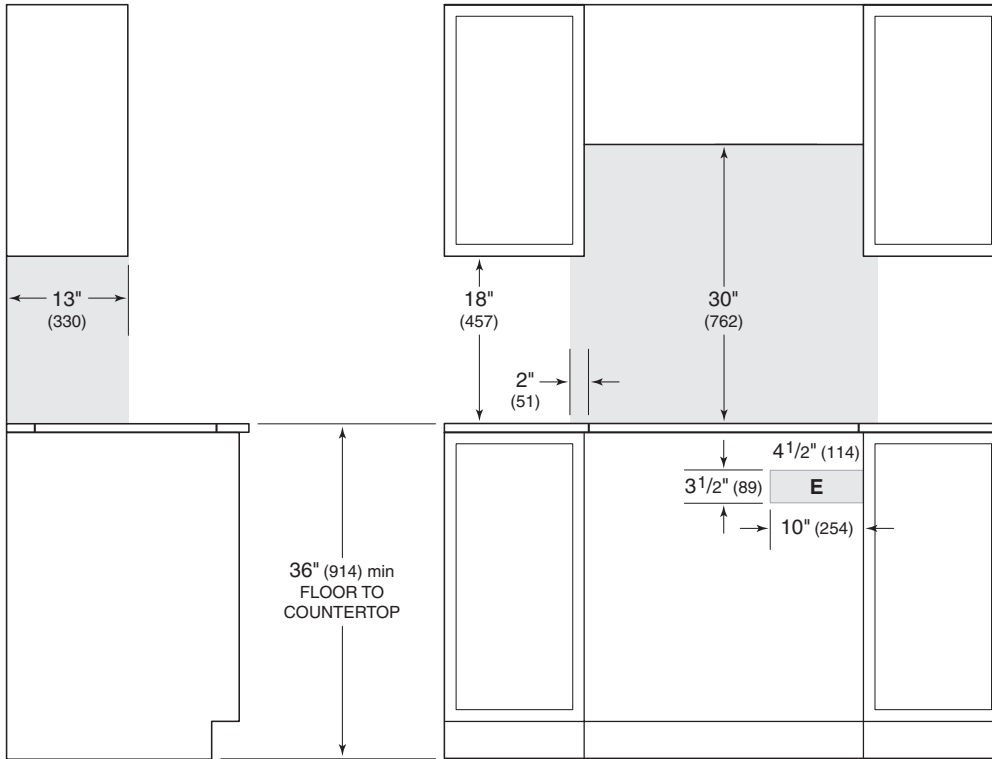
OVENS / WARMING DRAWERS
COOKTOPS / COFFEE SYSTEMS
RANGES / RANGETOPS
OUTDOOR GRILLS
VENTILATION

30" and 36" Electric Cooktops

STANDARD INSTALLATION



COUNTERTOP CUT-OUT



SIDE VIEW

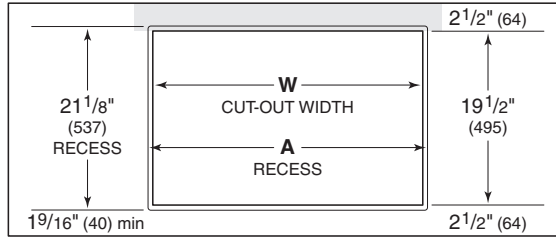
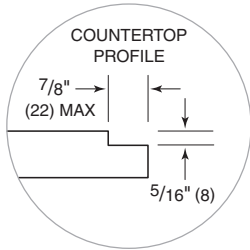
FRONT VIEW

*NOTE: Shaded area above countertop indicates minimum clearance to combustible surfaces, combustible materials cannot be located within this area.
Electrical supply location only applies to installations with built-in oven.*

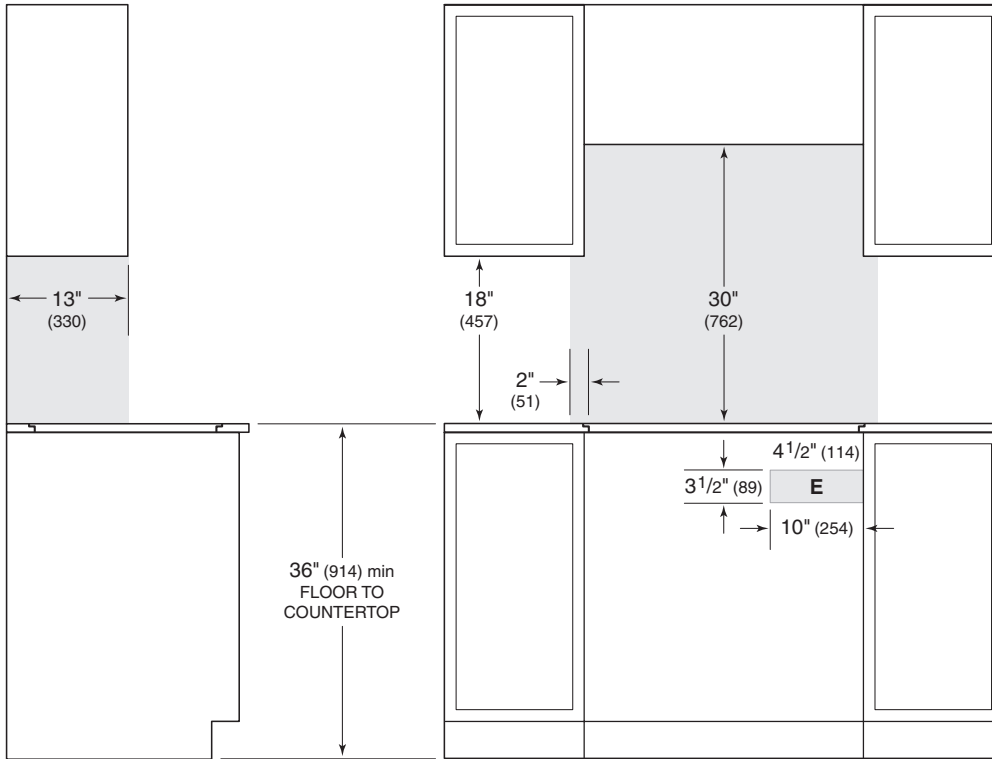
CUT-OUT WIDTH	
ELECTRIC COOKTOP	W
30" Cooktop	29" (737)
36" Cooktop	35" (889)

30" and 36" Electric Cooktops

FLUSH INSTALLATION



COUNTERTOP CUT-OUT



SIDE VIEW

FRONT VIEW

*NOTE: Shaded area above countertop indicates minimum clearance to combustible surfaces, combustible materials cannot be located within this area.
Electrical supply location only applies to installations with built-in oven.
Outside corner radius 7/16" (11).*

CUT-OUT WIDTH		
ELECTRIC COOKTOP	W	A
30" Cooktop	29" (737)	30 1/8" (765)
36" Cooktop	35" (889)	36 1/8" (918)

OVENS / WARMING DRAWERS
COOKTOPS / COFFEE SYSTEMS
RANGES / RANGETOPS
OUTDOOR GRILLS
VENTILATION

Contemporary Gas Cooktop

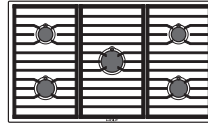
The cooking surface of the Wolf new generation contemporary gas cooktop fits flush to the countertop for a striking, low-profile look. Front-mounted controls integrate directly into cabinetry below. New performance enhancements make delicious results even more of a certainty than ever. With a choice of knob colors, the new contemporary gas cooktop offers exceptional design flexibility.

KEY FEATURES

- Dual-stacked, sealed burners for precise control and easy cleanup.
- Flame recognition and automatic reignition for safety and ease of use.
- True simmer setting on all burners prevents scorching.

GAS COOKTOP

CONTEMPORARY

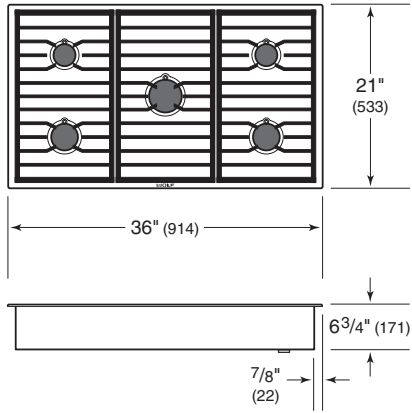


CG365C/S

WOLF GAS COOKTOPS

Gas Cooktop

36" CONTEMPORARY



BURNER RATING

36" GAS COOKTOP	BTU (KW)
Large	20,000 (5.9)
Medium	12,000 (3.5)
(3) Small	9,200 (2.7)

Planning Information

Control knobs for the contemporary gas cooktop are designed to be mounted on the front face of cabinetry below the unit. Mounting holes must be drilled through the cabinet face. Refer to the illustration on the following page for hole location.

A minimum 2" (51) is required from the bottom of the cooktop to combustible materials. If a cooktop is installed above an oven, a minimum of 1/4" (6) is required between units.

ELECTRICAL

Installation must comply with all applicable electrical codes.

Locate the electrical supply as shown in the illustration on the following page. A separate circuit, servicing only this appliance is required. A ground fault circuit interrupter (GFCI) is not recommended and may cause interruption of operation.

ELECTRICAL REQUIREMENTS	
Electrical Supply	grounded, 120 VAC, 60 Hz
Service	15 amp dedicated circuit
Receptacle	3-prong grounding-type
Power Cord	6' (1.8 m)

GAS SUPPLY

Installation must conform with all applicable gas codes.

A gas supply line of 3/4" (19) rigid pipe must be provided to the cooktop. If local codes permit, a certified, 3' (.9 m) long, 1/2" (13) or 3/4" (19) ID flexible metal appliance connector is recommended to connect the units 1/2" NPT male inlet to the gas supply line.

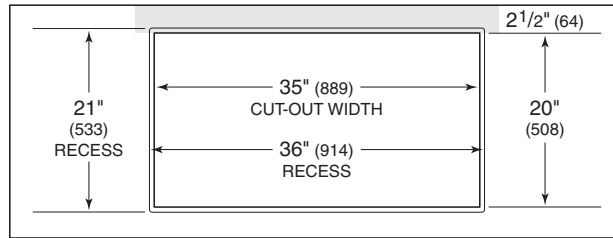
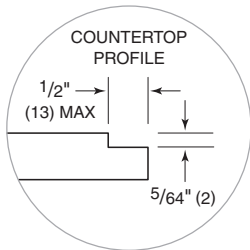
Wolf natural gas cooktops will function up to 10,250' (3124 m) in altitude without adjustment and LP gas cooktops will function up to 8,600' (2621 m). If the installation exceeds these elevations, contact an authorized Wolf dealer for a high altitude conversion kit.

GAS REQUIREMENTS

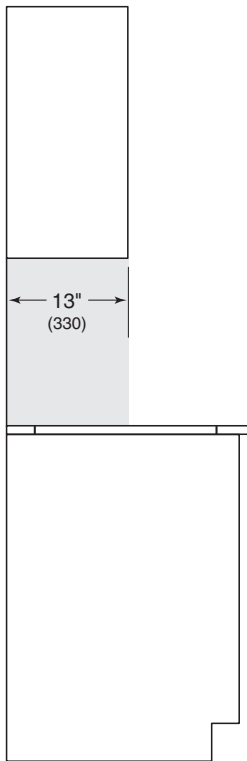
NATURAL GAS		WC
Supply Pressure		5" (12.5 mb)
Min Line Pressure		7" (17.5 mb)
Max Regulator Pressure	14" (34.9 mb), .5 psi (3.5 kPa)	
LP GAS		WC
Supply Pressure		10" (25 mb)
Min Line Pressure		11" (27.4 mb)
Max Regulator Pressure	14" (34.9 mb), .5 psi (3.5 kPa)	

36" Gas Cooktop

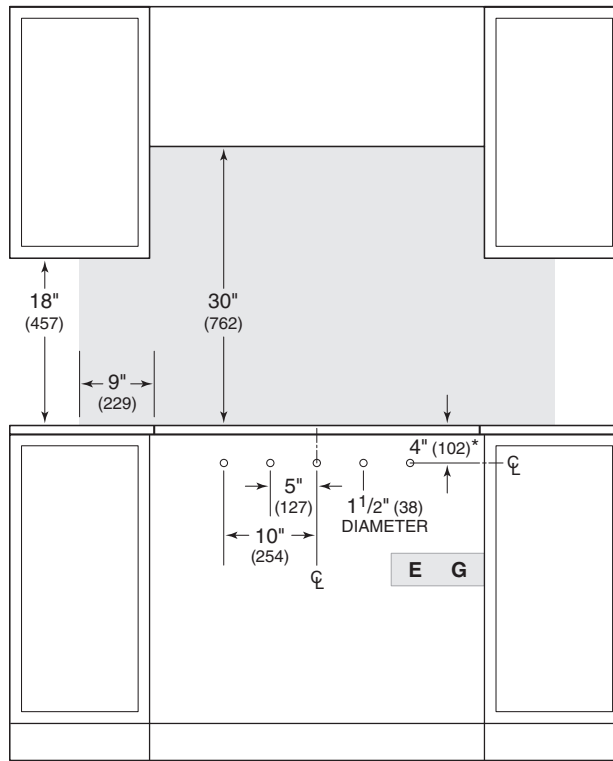
FLUSH INSTALLATION



COUNTERTOP CUT-OUT



SIDE VIEW



FRONT VIEW

*3" (76) min, 5" (127) max.

NOTE: Shaded area above countertop indicates minimum clearance to combustible surfaces, combustible materials cannot be located within this area.
Outside corner radius 3/8" (10).

Wolf, Wolf & Design, Wolf Gourmet, W & Design and the color red as applied to knobs are registered trademarks and service marks of Wolf Appliance, Inc. Sub-Zero, Sub-Zero & Design, Dual Refrigeration, The Living Kitchen, Great American Kitchens The Fine Art of Kitchen Design, and Ingredients are registered trademarks and service marks of Sub-Zero, Inc. All other trademarks or registered trademarks are property of their respective owners in the United States and other countries.

Wolf Appliance Residential Limited Warranty

FOR RESIDENTIAL USE

FULL TWO YEAR WARRANTY*

For two years from the date of original installation, this Wolf Appliance product warranty covers all parts and labor to repair or replace, under normal residential use, any part of the product that proves to be defective in materials or workmanship. All service provided by Wolf Appliance under the above warranty must be performed by Wolf factory certified service, unless otherwise specified by Wolf Appliance, Inc. Service will be provided during normal business hours.

LIMITED FIVE YEAR WARRANTY

For five years from the date of original installation, Wolf Appliance will repair or replace the following parts that prove to be defective in materials or workmanship: gas burners (excludes appearance), electric heating elements, blower motors (ventilation hoods), electronic control boards, magnetron tubes and induction generators. If the owner uses Wolf factory certified service, the service provider will repair or replace these parts with the owner paying for all other costs, including labor. If the owner uses non-certified service, the owner must contact Wolf Appliance, Inc. (using the information below) to receive repaired or replacement parts. Wolf Appliance will not reimburse the owner for parts purchased from non-certified service or other sources.

TERMS APPLICABLE TO EACH WARRANTY

The warranty applies only to products installed for normal residential use. The warranty applies only to products installed in any one of the fifty states of the United States, the District of Columbia or the ten provinces of Canada. This warranty does not cover any parts or labor to correct any defect caused by negligence, accident or improper use, maintenance, installation, service or repair.

THE REMEDIES DESCRIBED ABOVE FOR EACH WARRANTY ARE THE ONLY ONES THAT WOLF APPLIANCE, INC. WILL PROVIDE, EITHER UNDER THIS WARRANTY OR UNDER ANY WARRANTY ARISING BY OPERATION OF LAW. WOLF APPLIANCE, INC. WILL NOT BE RESPONSIBLE FOR ANY CONSEQUENTIAL OR INCIDENTAL DAMAGES ARISING FROM THE BREACH OF THIS WARRANTY OR ANY OTHER WARRANTY, WHETHER EXPRESS, IMPLIED OR STATUTORY.

Some states do not allow the exclusion or limitation of incidental or consequential damages, so the above limitation or exclusion may not apply to you. This warranty gives you specific legal rights and you may also have other legal rights that vary from state to state.

To receive parts and/or service and the name of Wolf factory certified service nearest you, contact Wolf Appliance, Inc., P.O. Box 44848, Madison, WI 53744; check the contact & support section of our website, wolfappliance.com, email us at customerservice@subzero.com or call 800-222-7820.

*Stainless steel (doors, panels, handles, product frames and interior surfaces) are covered by a limited 60-day parts and labor warranty for cosmetic defects.

*Replacement filters for ventilation hood recirculating kits are not covered by the product warranty.





WOLF APPLIANCE, INC. P.O. BOX 44848 MADISON, WI 53744 WOLFAPPLIANCE.COM 800.222.7820

WNGDG

2/2015