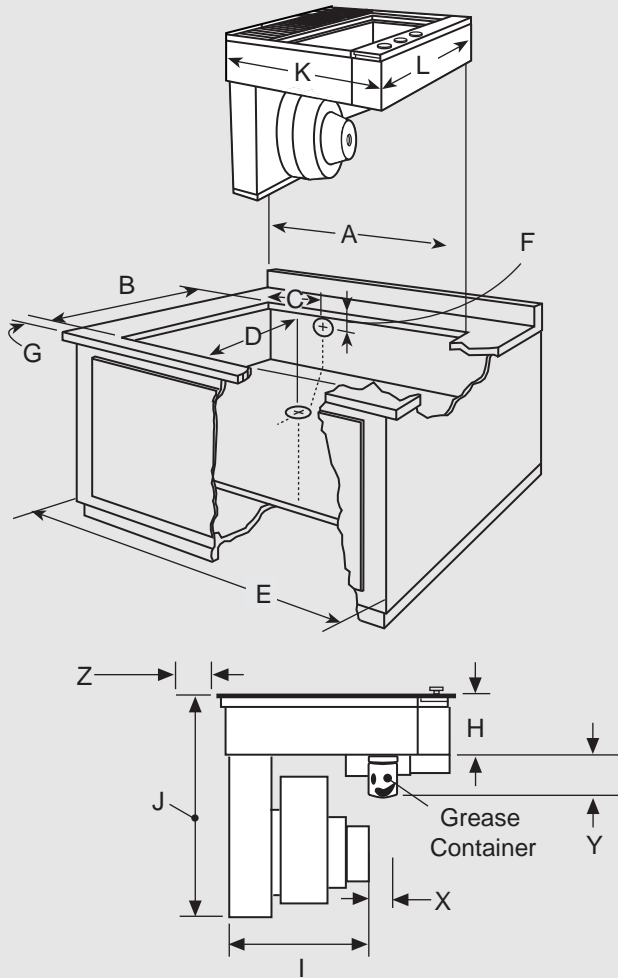




THE SIGN OF A GREAT COOK®

www.jennair.com

SINGLE ELECTRIC COOKTOP



CVEX4100

Dimensions

■	Inches	Centimeters
A	18 11/16± 1/16	47.5± .16
B	20 9/16± 1/16	52.2±.16
C	6 5/16	16.0
D	14 7/16	36.7
E	21 minimum	53.3 minimum
F	8	20.3
G	2 1/8	5.4
H	4 3/4	12.0
I	12 1/2	31.8
J	17 1/2 min. clear	44.5 min. clear
K	19 1/4	48.9
L	21 1/8	53.7

Notes:

- X. Provide 2" minimum (5.1 cm) cabinet clearance to motor for cooling purpose.
- Y. Provide 6 1/4" minimum (15.9 cm) required for removal of (supplied) grease container(s).
Installed dimension for (supplied) grease container(s) is 5 1/2" (14.0 cm).
- Z. Where possible, 6" (15.2) is recommended for motor blower service. Side Clearance - Grills installed near a side wall must allow a minimum clearance of 6" (15.2 cm) between cooktop and side wall for maximum performance. Minimum clearance of 1" (2.5 cm) is required to sidewalls and 3/4" (1.9) to rear wall. Electrical Hookup - The unit must be properly circuit protected and wired according to local electrical codes.

Important: Because of continuing product improvements, Jenn-Air reserves the right to change specifications without notice. Dimensional specifications are provided for planning purposes only. For complete details see installation instructions that accompany each product before selecting cabinetry, making cutouts or beginning installation.