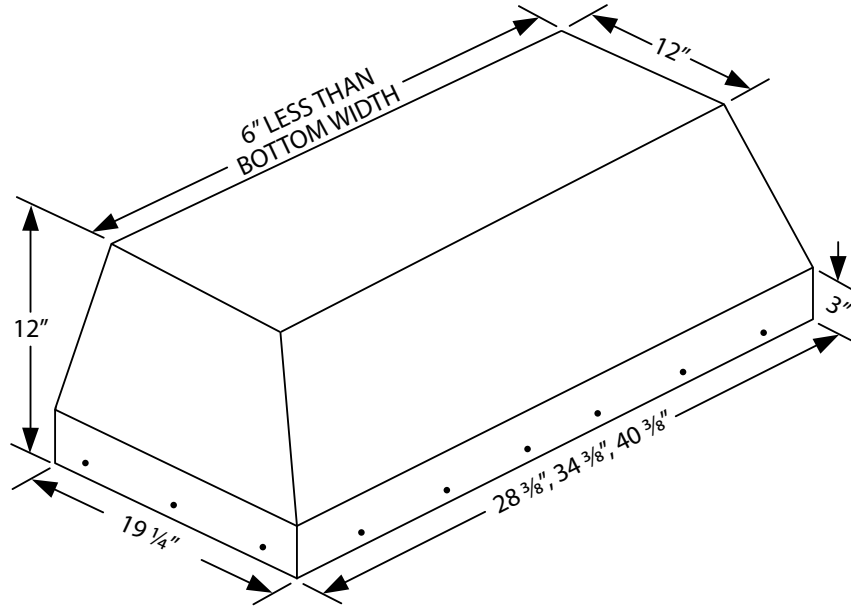


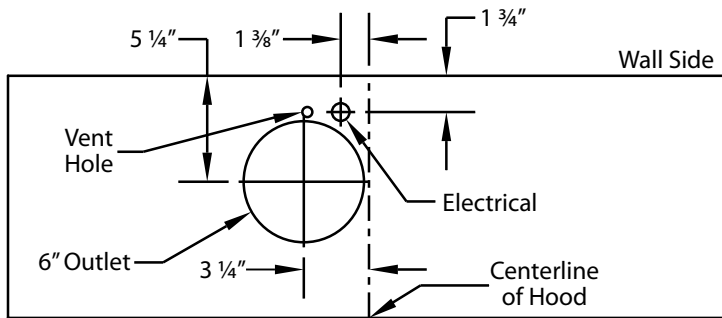
Vent Hood® WALL MOUNT LINER INSERT SPECIFICATIONS

BSLD/BHSLD LINER "H" in part number indicates halogen lighting. This model not available with heat lamps.

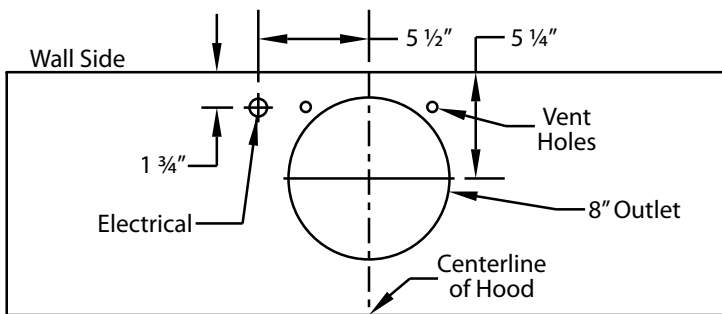


BSLD/BHSLD

Connection Diagrams (28 3/8", 34 3/8", & 40 3/8" Widths)

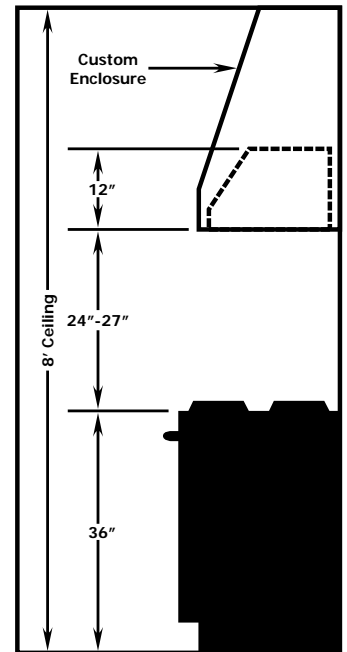


**300 CFM B100 Single Blower
(Top View)**



**600 CFM B200 Dual Blower
(Top View)**

Recommended Mounting Height*



*Exceeding recommended mounting height may compromise performance.

Electrical/Mechanical Specifications For Blower Units

Model	Volts	Amps*	Hz	RPM	CFM SP@0.0"	Equivalent CFM*	CFM SP@0.1"	CFM SP@0.2"	CFM SP@0.3"	Minimum Round Duct Size	Sones#
B100 Single	115	1.5	60	1550	300	450	273	245	225	6" (28 in. ²)	5.4
B200 Dual	115	2.9	60	1550	600	900	531	480	430	8" (50 in. ²)	6.5

* Add 0.5 amp for each halogen light. Hoods are available with a single fluorescent light or with halogen lights (2 lights: 30" - 41", 3 lights: 42").
 # Because the Magic Lung® blower uses centrifugal filtration rather than conventional baffle or mesh filters, the Magic Lung® blower can handle cooking equipment with higher cubic feet per minute (CFM) requirements and can deliver equivalent CFM much more efficiently than other filtration systems. When comparing the Magic Lung® with other blower units made by other manufacturers, use the "Equivalent CFM".
 # Ratings in accordance with the Standard Test Code by the Energy Systems Laboratory of the Texas Engineering Experiment Station.

