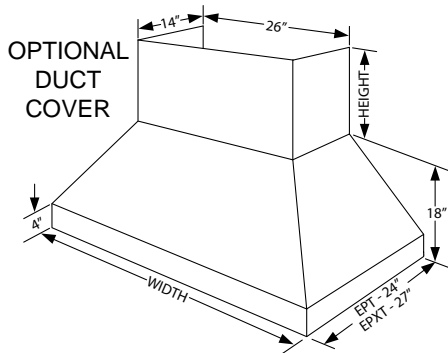
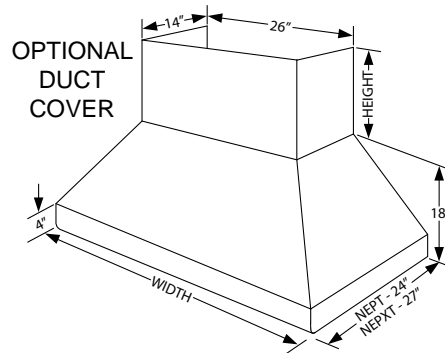


VentAhood® EUROSTYLE WALL MOUNT RANGE HOOD SPECIFICATIONS

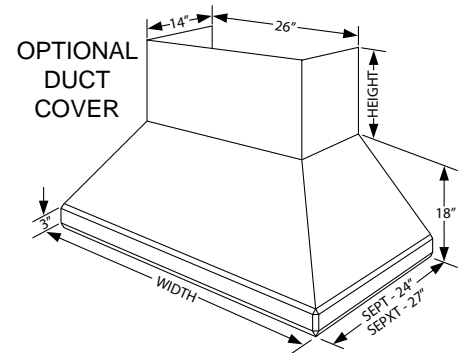
EP(X)T18/EP(X)TH18/NEP(X)T18/NEP(X)TH18/SEP(X)T18/SEP(X)TH18 "H" in part number indicates halogen lighting. These models not available with heat lamps. Shown with optional duct cover sold separately). Optional duct covers available in standard and custom sizes.



EP(X)T18/EP(X)TH18



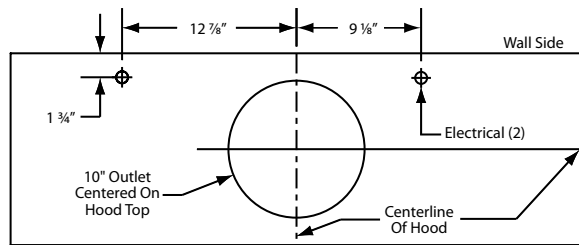
NEP(X)T18/NEP(X)TH18



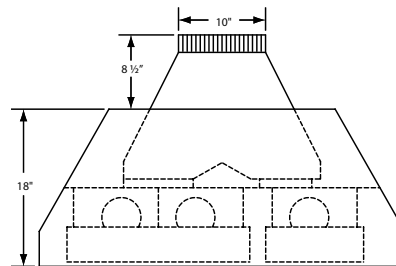
SEP(X)T18/SEP(X)TH18

(X) in part number indicates 27" depth

Connection Diagram (42" - 66" Widths)

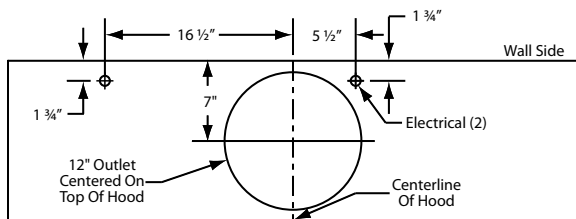


900 CFM B200 Dual & B100 Single Blower (Top View)

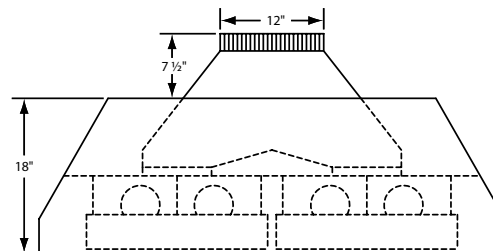


VP562 Standard Transition Installed (Front View)

Connection Diagram (54" - 66" Widths)

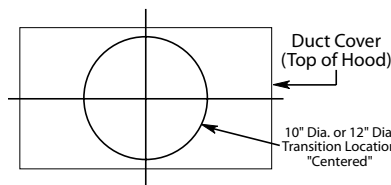


1200 CFM Double B200 Dual Blowers (Top View)

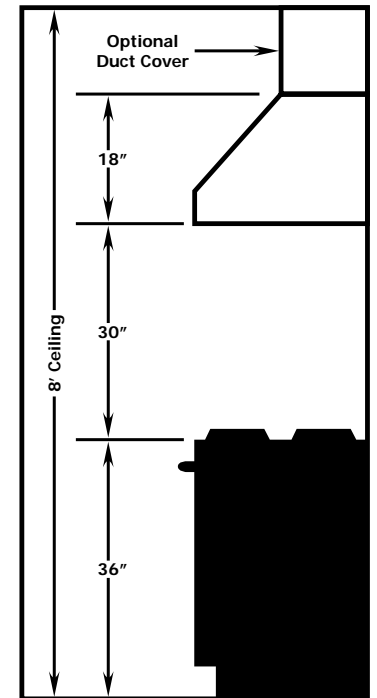


VP563 Standard Transition Installed (Front View)

The transition shown (VP562 & VP563) is installed in the hood at the factory as a standard item. It will be located in the exact center of the duct cover (left to right & front to rear).



Recommended Mounting Height



*Exceeding recommended mounting height may compromise performance.

Electrical/Mechanical Specifications For Blower Units

| Model | Volts | Amps* | Hz | RPM | CFM SP@0.0" | Equivalent CFM* | CFM SP@0.1" | CFM SP@0.2" | CFM SP@0.3" | Minimum Round Duct Size | Sones# |
|-------------------------|-------|-------|----|------|-------------|-----------------|-------------|-------------|-------------|-----------------------------|--------|
| B200 Dual & B100 Single | 115 | 4.4 | 60 | 1550 | 900 | 1350 | 804 | 725 | 655 | 10" (79 in. ²) | 6.3 |
| Two B200 Duals | 115 | 5.8 | 60 | 1550 | 1200 | 1800 | 1062 | 960 | 860 | 12" (113 in. ²) | 6.6 |

* Add 0.5 amp for each halogen light. Hood is available with fluorescent lights (one for each single or dual blower) or with halogen lights (3 lights: 42" - 53", 4 lights: 54" - 66").
 # Because the Magic Lung® blower uses centrifugal filtration rather than conventional baffle or mesh filters, the Magic Lung® blower can handle cooking equipment with higher cubic feet per minute (CFM) requirements and can deliver equivalent CFM much more efficiently than other filtration systems. When comparing the Magic Lung® with other blower units made by other manufacturers, use the "Equivalent CFM".
 # Ratings in accordance with the Standard Test Code by the Energy Systems Laboratory of the Texas Engineering Experiment Station.