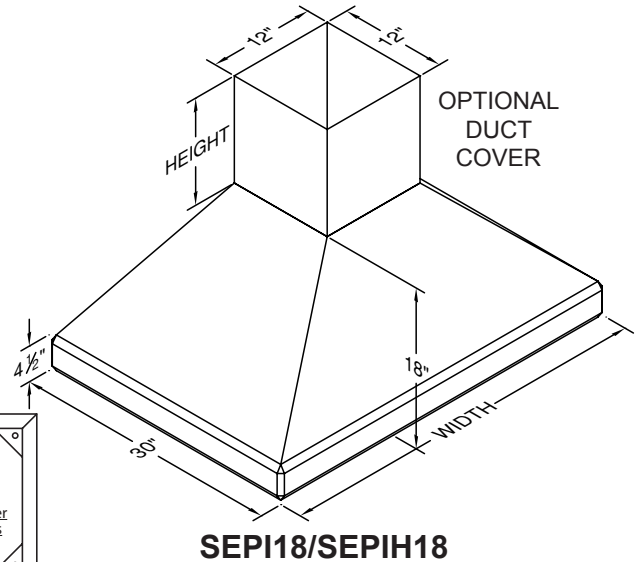
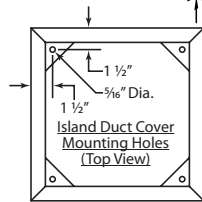
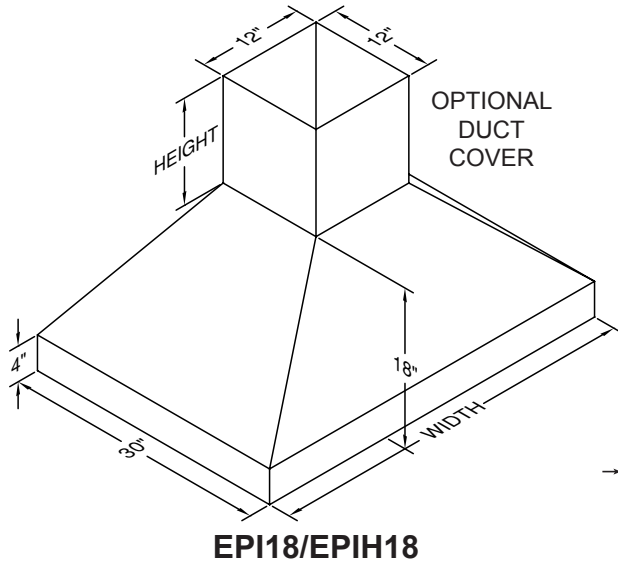
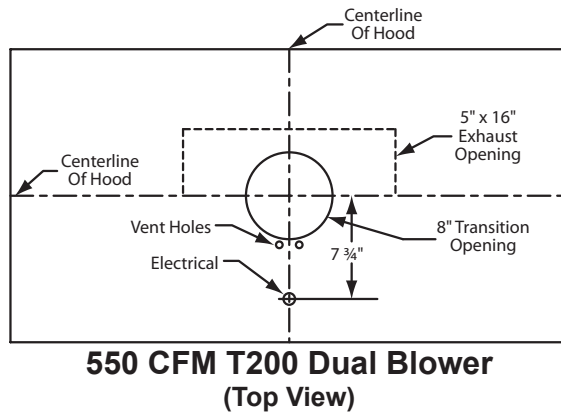


# Vent Hood® EUROSTYLE ISLAND RANGE HOOD SPECIFICATIONS

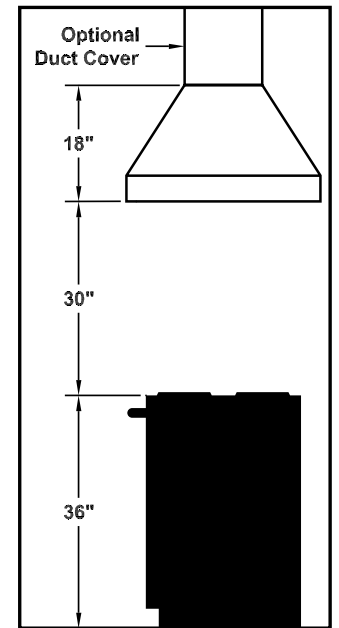
**EPI18/EPIH18/SEPI18/SEPIH18** "H" in part number indicates halogen lighting. These models not available with heat lamps. Shown with optional duct cover (sold separately). Optional duct covers available in standard and custom sizes.



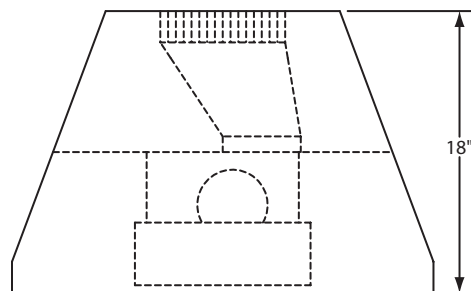
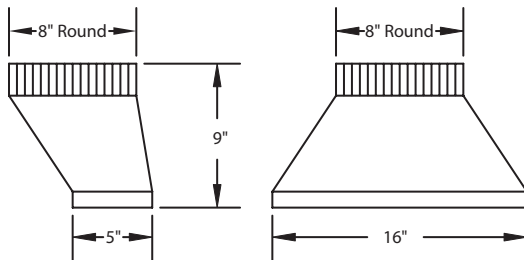
## Connection Diagram (36" - 48" Widths)



## Recommended Mounting Height\*



\*Exceeding recommended mounting height may compromise performance.



## Electrical/Mechanical Specifications For Blower Units

Model	Volts	Amps*	Hz	RPM	CFM SP@0.0"	Equivalent CFM*	CFM SP@0.1"	CFM SP@0.2"	CFM SP@0.3"	Minimum Round Duct Size	Sones#
T200 Island Dual	115	2.9	60	1550	550	900	507	471	431	8" (50 in. <sup>2</sup> )	6.0

\* Add 0.5 amp for each halogen light. Hood is available with fluorescent lights (one in front, one in back) or with halogen lights (one in each corner).

\* Because the Magic Lung® blower uses centrifugal filtration rather than conventional baffle or mesh filters, the Magic Lung® blower can handle cooking equipment with higher cubic feet per minute (CFM) requirements and can deliver equivalent CFM much more efficiently than other filtration systems. When comparing the Magic Lung® with other blower units made by other manufacturers, use the "Equivalent CFM".

# Ratings in accordance with the Standard Test Code by the Energy Systems Laboratory of the Texas Engineering Experiment Station.

SPECIFICATIONS SUBJECT TO CHANGE WITHOUT NOTICE Rev. 1210A

