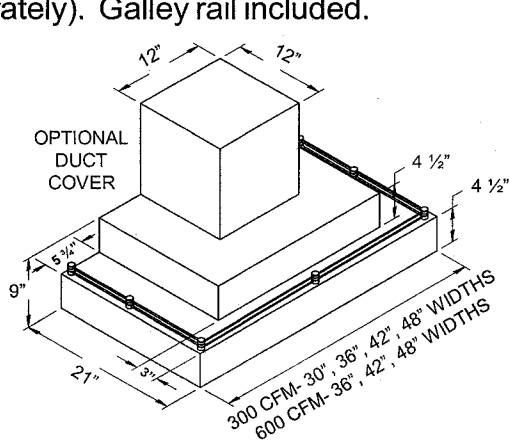
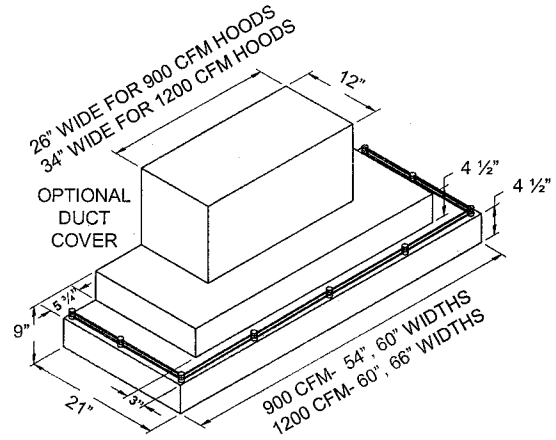


# Vent Hood® WALL MOUNT RANGE HOOD SPECIFICATIONS

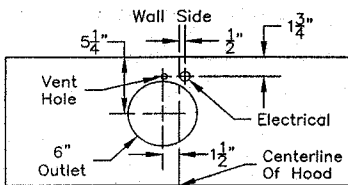
**CWLH9** Equipped with halogen lighting. These models not available with heat lamps. Shown with optional duct cover (sold separately). Optional duct covers are available in standard and custom sizes (sold separately). Galley rail included.



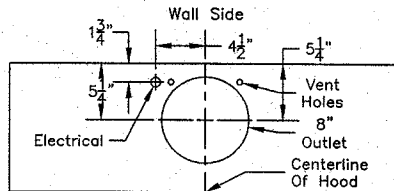
**CWLH9**



## Blower Outlet Diagrams 30"- 48" Widths

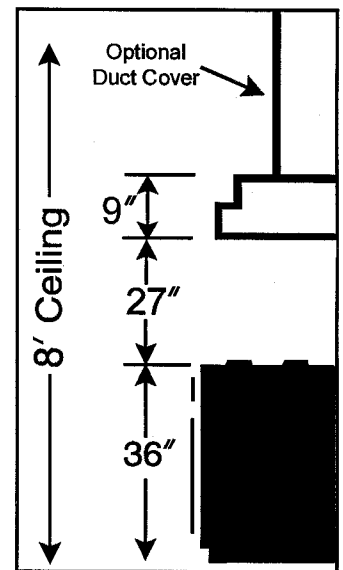


**300 CFM B100 Single Blower (Top View)**

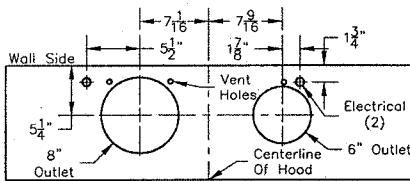


**600 CFM B200 Dual Blower (Top View)**

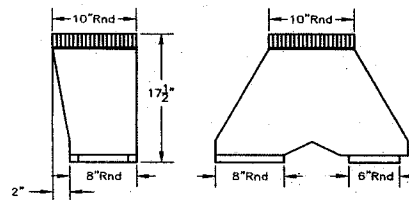
## Mounting Height



## Blower Outlet Diagrams 54"- 60" Widths

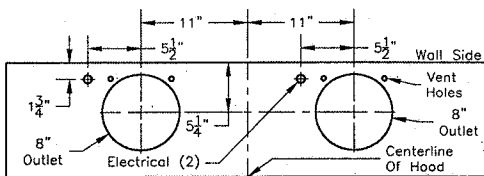


**900 CFM B200 Dual & B100 Single Blower (Top View)**

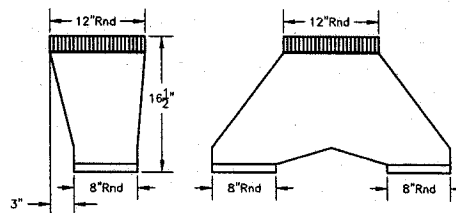


**VP562 Transition (Optional) For B300 (B200 Dual Blower & B100 Single Blower)**

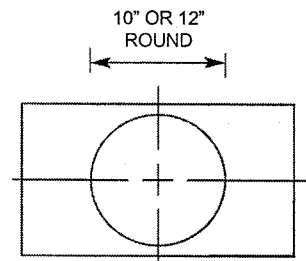
## Blower Outlet Diagrams 60"- 66" Widths



**1200 CFM Double B200 Dual Blowers (Top View)**



**VP563 Transition (Optional) For B400 (B200 Dual Blower & B200 Dual Blower)**



**VP562/VP563 transition centers outlet over top of hood**

## Electrical/Mechanical Specifications For Blower Units

Model	Type	Volts	Amps	Hz	RPM	CFM SP@0"	Equivalent CFM	CFM SP@0.1"	CFM SP@0.2"	CFM SP@0.3"	Minimum Round Duct Size	Square Inches
B100 Single	Shaded Pole	115	1.7•	60	1550	300	450	286	270	240	6" (or equivalent)	28
B200 Dual	(2) Shaded Pole	115	3.4•	60	1550	600	900	572	540	480	8" (or equivalent)	50

●Note: Add .5 amp for each halogen bulb. Equivalent CFM refers to the fact that the Magic Lung blower uses centrifugal filtration units, whereas others use conventional filters. Apply this guideline when comparing blower units made by other manufacturers. Halogen lights- 30" to 41" 2 lights, 42" to 53" 3 lights, 54" to 66" 4 lights, over 66" 1 light for each 16" hood width.