

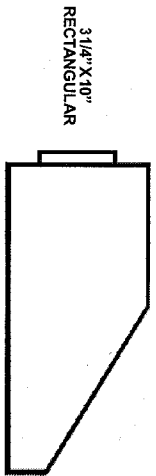
# Back Vent Applications (Page 1 of 4)

	Back Vent Diagram	K250 (3 1/4" x 10")	B100 (6" Round)	B200 (8" Round)	B300 (6" Round and 8" Round)	B400 (Two 8" Round)
<b>K Series Under Cabinet</b>	A	Standard	n/a	n/a	n/a	n/a
<b>6" Under Cabinet (Excluding K Series)</b>	B	n/a	VP513	VP515 or VP561	VP513, VP515 or VP561	2 VP515 or 2 VP561
<b>9" Under Cabinet</b>	B	n/a	VP513	VP515 or VP561	VP513, VP515 or VP561	2 VP515 or 2 VP561
<b>18" Tall Wall Mount</b>	B	n/a	VP513	VP515 or VP561	VP513, VP515 or VP561	2 VP515 or 2 VP561
<b>18" Tall Wall Mount- Special Deck &amp; 9"</b>	C	n/a	VP513	VP561*	VP513 and VP561	2 VP561*
<b>30" Tall Wall Mount</b>	C	n/a	VP513	VP515 or VP561	VP513, VP515 or VP561	2 VP515 or 2 VP561
<b>18" Tall Euro Style Wall Mount (EP, NEP, SEP)</b>	C	n/a	n/a	VP561*	n/a	n/a
<b>14" Tall Euro Style Wall Mount (PD, SLD)</b>	D	n/a	VP513	n/a	n/a	n/a
<b>XLH12 with 10" x 10" Duct Cover</b>	D	n/a	n/a	VP515	n/a	n/a
<b>ZTH</b>	D	n/a	n/a	VP515 or VP561	VP513, VP515 or VP561	n/a
<b>18" Tall Euro Style Wall Mount (EPT, NEPT, SEPT)</b>	C	n/a	n/a	n/a	VP513, VP515 or VP561	n/a

\* Can also use VP515(s) with a duct cover (transition will extend above the top of the hood)

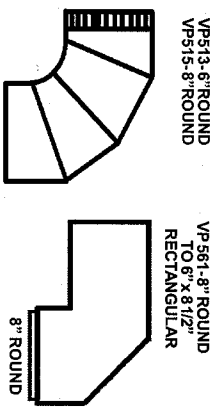
Note: This chart outlines the most common applications for Vent-A-Hood® products. For custom applications, contact Vent-A-Hood or your distributor. SPECIFICATIONS SUBJECT TO CHANGE WITHOUT NOTICE Rev. 10/06

**Diagram A- Direct Back Vent**  
(Drawing Not To Scale)



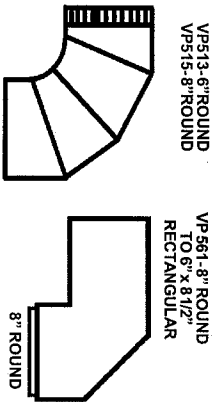
Side View

**Diagram B- Off The Top**  
(Drawings Not To Scale)



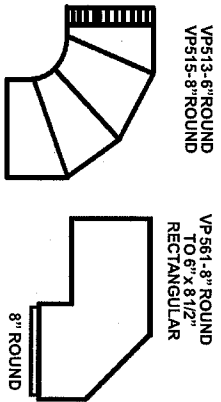
Side View

**Diagram C- Within the Height of the Hood**  
(Drawings Not To Scale)



Side View

**Diagram D- Off the Top Within the Duct Cover**  
(Drawing Not To Scale)



Side View

**Transition Heights**

- VP513 6" Round- 8 1/2" Tall When Adjusted To 90 Degrees
- VP515 8" Round- 10 3/4" Tall When Adjusted To 90 Degrees
- VP561 8" Round To 6" x 8 1/2" Rectangular- 7" Tall

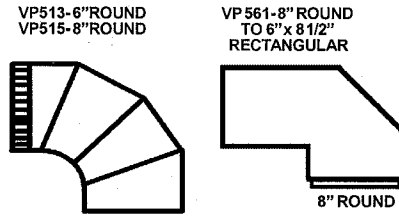
# Back Vent Applications (Page 2 of 4)

## Transition Heights

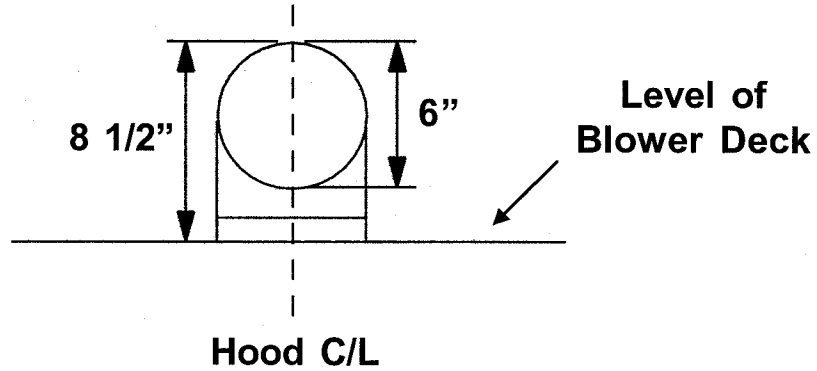
VP513 6" Round- 8 1/2" Tall When Adjusted To 90 Degrees

VP515 8" Round- 10 3/4" Tall When Adjusted To 90 Degrees

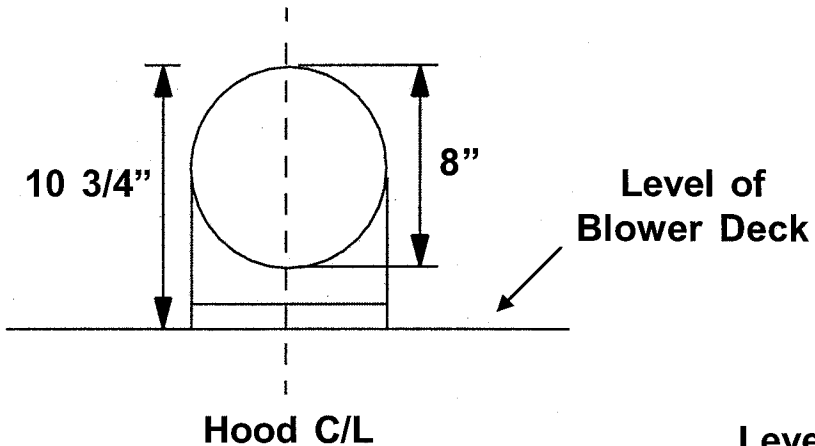
VP561 8" Round To 6" x 8 1/2" Rectangular- 7" Tall



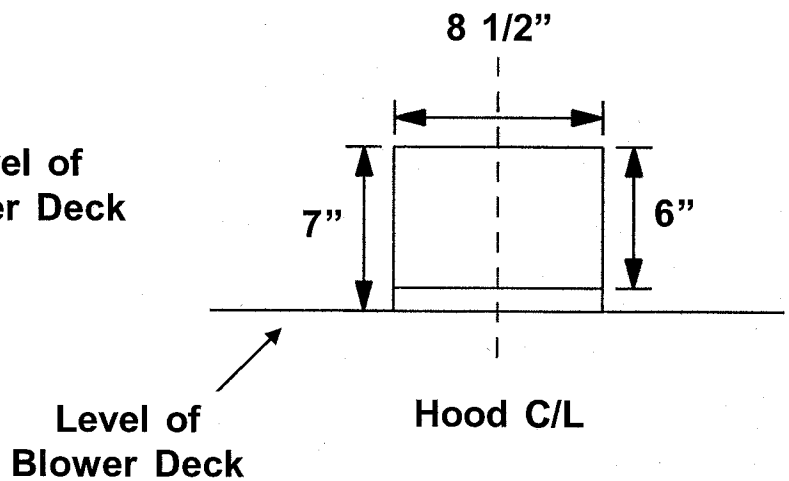
## B100 Blower Outlet With VP513 Installed (Back View)



## B200 Blower Outlet With VP515 Installed (Back View)



## B200 Blower Outlet With VP561 Installed (Back View)



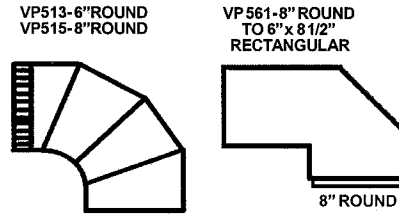
# Back Vent Applications (Page 3 of 4)

## Transition Heights

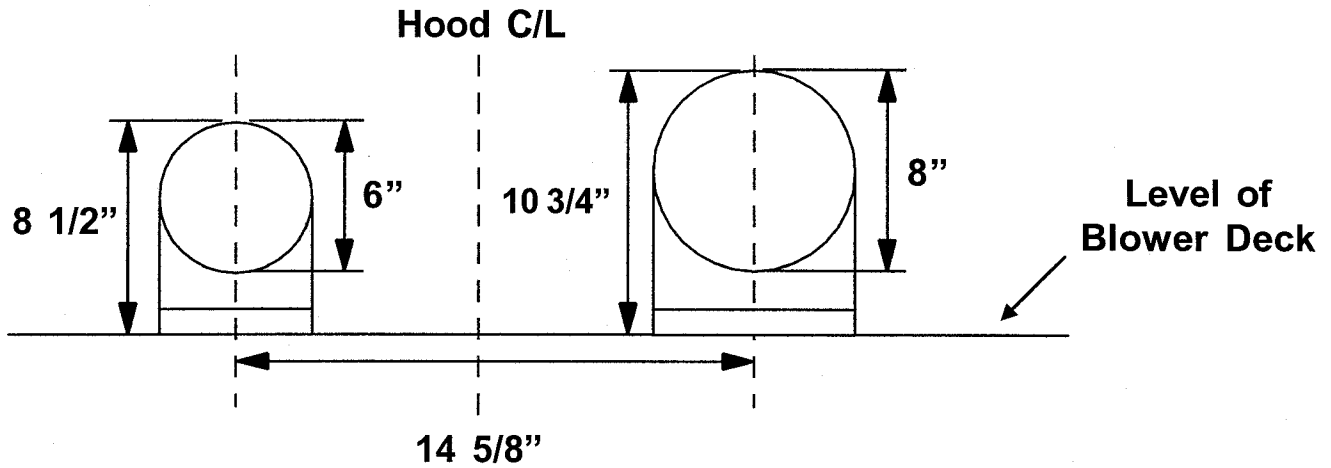
VP513 6" Round- 8 1/2" Tall When Adjusted To 90 Degrees

VP515 8" Round- 10 3/4" Tall When Adjusted To 90 Degrees

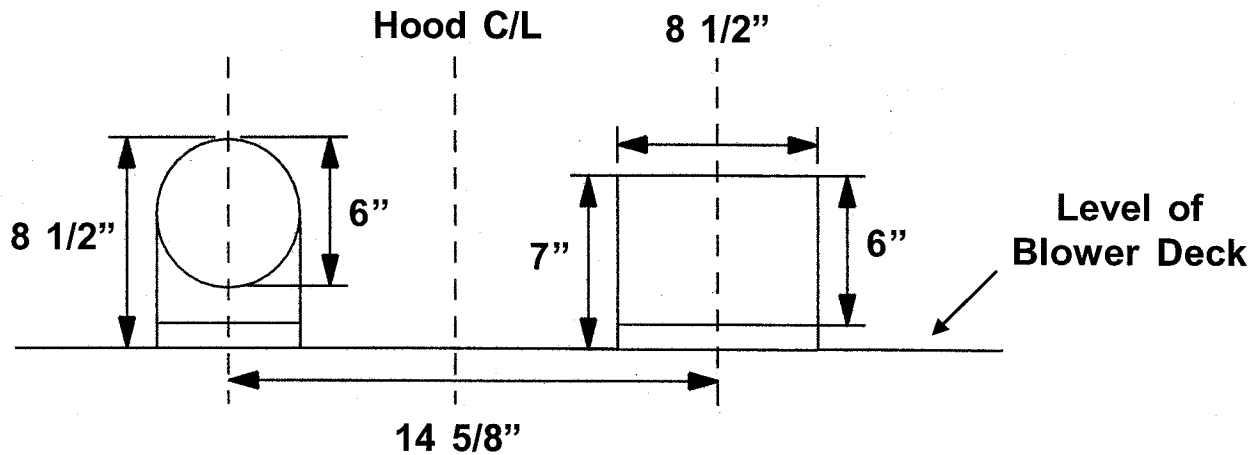
VP561 8" Round To 6" x 8 1/2" Rectangular- 7" Tall



## B300 Blower Outlets With VP513 and VP515 Installed (Back View)



## B300 Blower Outlets With VP561 and VP515 Installed (Back View)



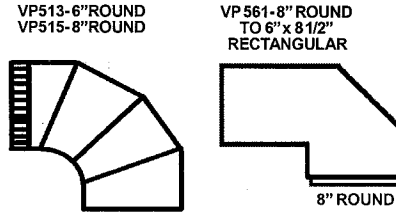
# Back Vent Applications (Page 4 of 4)

## Transition Heights

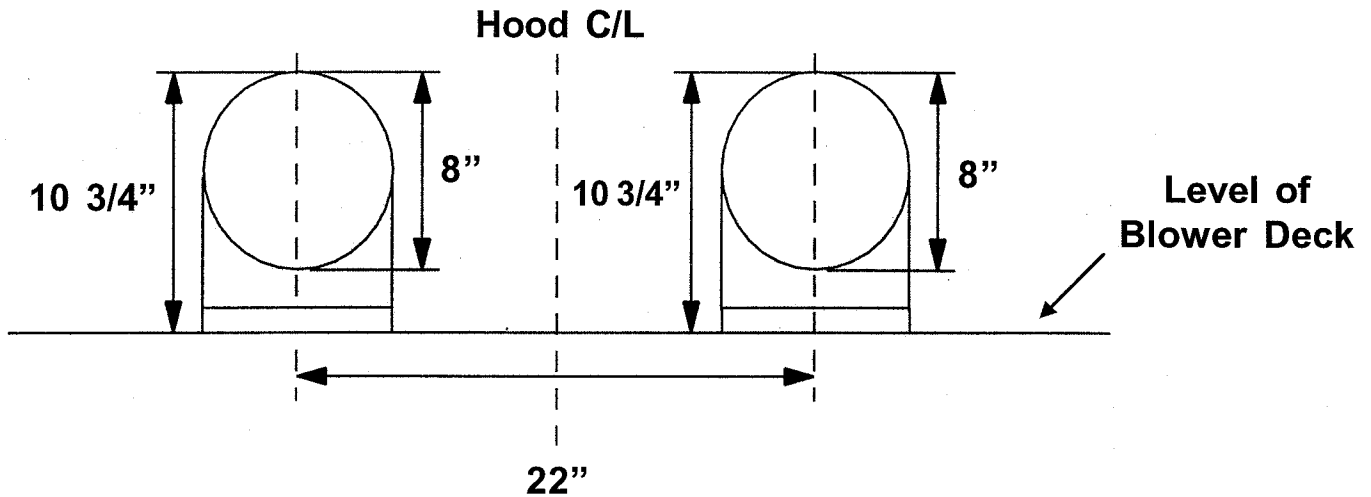
VP513 6" Round- 8 1/2" Tall When Adjusted To 90 Degrees

VP515 8" Round- 10 3/4" Tall When Adjusted To 90 Degrees

VP561 8" Round To 6" x 8 1/2" Rectangular- 7" Tall



## B400 Blower Outlets With 2 VP515s Installed (Back View)



## B400 Blower Outlets With 2 VP561s Installed (Back View)

