

# INSTALLATION GUIDE

Outdoor Gas Grills



## Contents

Wolf Outdoor Gas Grills . . . . .	3
Safety Instructions . . . . .	4
Location Considerations . . . . .	5
Outdoor Grill Specifications . . . . .	6
Outdoor Grill Installation . . . . .	8
Service Information . . . . .	15

Features and specifications in this guide and on the website are subject to change at any time without notice. Check our website, [wolfappliance.com](http://wolfappliance.com), for the most up-to-date specifications.

## Important Note

To ensure the safe and efficient use of Wolf equipment, please take note of the following types of highlighted information throughout this guide:

**IMPORTANT NOTE** highlights information that is especially important.

**CAUTION** signals a situation where minor injury or product damage may occur if instructions are not followed.

**WARNING** states a hazard that may cause serious injury or death if precautions are not followed.



### Outdoor Grill Installation

Read this entire installation guide prior to installation and save for the local inspector's reference. The homeowner should keep this installation guide for future reference.

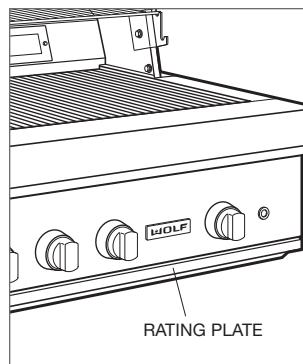
The installation of this appliance must conform with local codes or, in the absence of local codes, either the National Fuel Gas Code, ANZI Z223.1/NFPA 54, or CAN/CGA-B149.1, Natural Gas Installation Code or CAN/CGA-B149.2, Propane Installation Code.

The utilization of an external electrical source requires that when installed, this outdoor cooking gas appliance must be electrically grounded in accordance with the local codes or, in the absence of local codes, with the National Electrical Code, ANSI/NFPA 70, or the Canadian Electrical Code, CSA C22.1. Keep any electrical supply cord, or the rotisserie motor cord and the gas supply hose away from any heated surfaces.

This appliance must be installed in accordance with National Electrical Codes, as well as all state, municipal and local codes. The correct voltage, frequency and amperage must be supplied to the appliance from a dedicated, grounded circuit which is protected by a properly sized circuit breaker or time delay fuse. The proper voltage, frequency, and amperage ratings are listed on the product rating plate.

Record the model and serial numbers before installing the outdoor grill. Both numbers are listed on the product rating plate, located behind the drip tray, below the logo. The drip tray must be removed to view the rating plate. Refer to the illustration below.

Wolf Outdoor Gas Grill	
Model Number	
Serial Number	



Location of rating plate.

## IMPORTANT INSTRUCTIONS

- Installation and service must be performed by a qualified installer, service agency or the gas supplier.
- Warranty service must be performed by a Wolf authorized service center.
- Do not store or use gasoline or other flammable liquids or vapors in the vicinity of this or any other appliance. An LP gas cylinder not connected for use shall not be stored in the vicinity of this or any other appliance.
- In Massachusetts: All gas products must be installed using a “Massachusetts” licensed plumber or gasfitter. A “T” handle type manual gas valve must be installed in the gas supply line to this appliance. This applies to permanently installed natural gas and propane installations. This does not apply to propane portable installations using a 20-lb tank.

### BEFORE LIGHTING:

- Read instructions before lighting.
- Open hood during lighting.
- If ignition does not occur in 5 seconds, turn the control knob off, wait 5 minutes, and repeat the lighting procedure.

### WHAT TO DO IF YOU SMELL GAS:

- Shut off gas supply to the appliance.
- Extinguish any open flame.
- Open hood.
- If odor continues, keep away from the appliance and immediately call your gas supplier or fire department.

## Locating the Grill

**IMPORTANT NOTE:** This gas appliance is designed and certified for outdoor use only. Do not operate the grill inside a building, garage, recreation vehicle or any enclosed area.

When choosing an area for the grill, whether a portable or built-in application, consider exposure to wind, proximity to traffic paths and length of gas supply line. Keep the gas supply line as short as possible to reduce pressure drop. Keep the grill away from windy areas but in a well ventilated area. Do not obstruct the flow of combustion and ventilation air around the grill. The grill must be level and flat. The supporting deck and countertop should also be level and flat.

### **⚠ WARNING**

**Do not locate grill under overhead combustible surfaces.**

## Portable Applications

Wolf portable grill carts are available to fit all Wolf outdoor grill models.

## Built-In Applications

Wolf outdoor grills are designed for easy placement into a built-in enclosure. For installation in a combustible enclosure, the insulating liner must be used. Build the enclosure according to specifications for your specific installation on page 7. Note provisions required for the electrical supply and gas line connection. Maintain specified clearances.

Both installations require a deck to support the grill. The supporting deck should be level and flat and able to support 300 lbs (136 kg).

It is recommended that ventilation holes be provided in the enclosure so that gas will not become entrapped in the event of a leak.

### MINIMUM CLEARANCES

A minimum clearance of 12" (305) from the sides and 12" (305) from the back of the grill to adjacent vertical combustible construction must be maintained.

A minimum clearance of 2<sup>1</sup>/<sub>2</sub>" (64) from the back of the grill above cooking surface to non-combustible construction is required.

A minimum of 6" (152) clearance to the sides of the grill above cooking surface to non-combustible construction is recommended to provide space for the rotisserie motor and the spit rod. The grill can be installed directly next to non-combustible construction below the cooking surface.

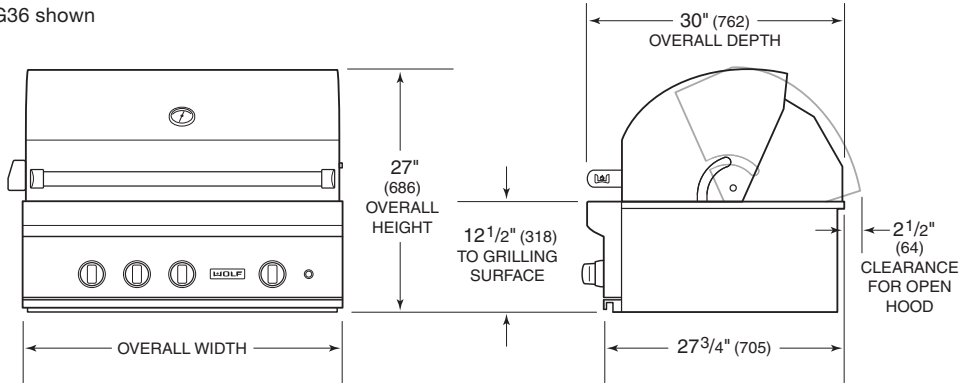
### INSULATING LINER

If the grill or sear module is being placed in a combustible enclosure, an insulating liner is necessary to prevent fire, property damage and bodily injury. Only use a Wolf insulating liner. Refer to the illustrations on page 7 and 9 for installation specifications.

Overall Dimensions

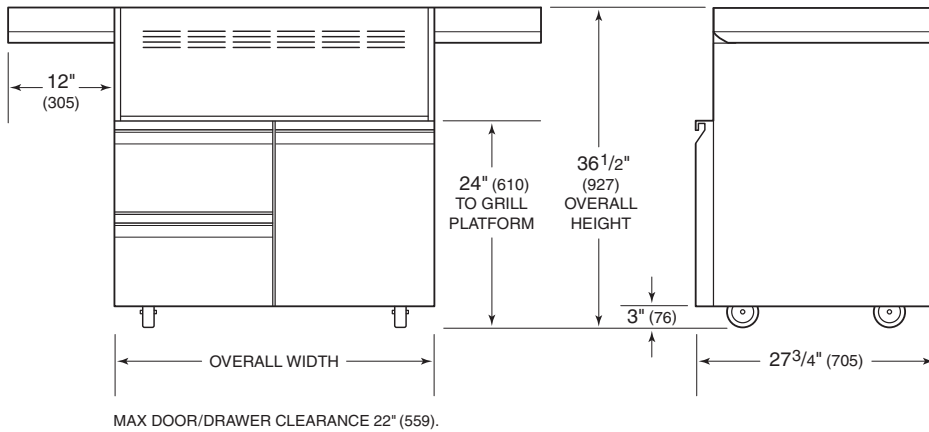
**OUTDOOR GRILL**

Model OG36 shown



**GRILL CART**

Model CART36 shown



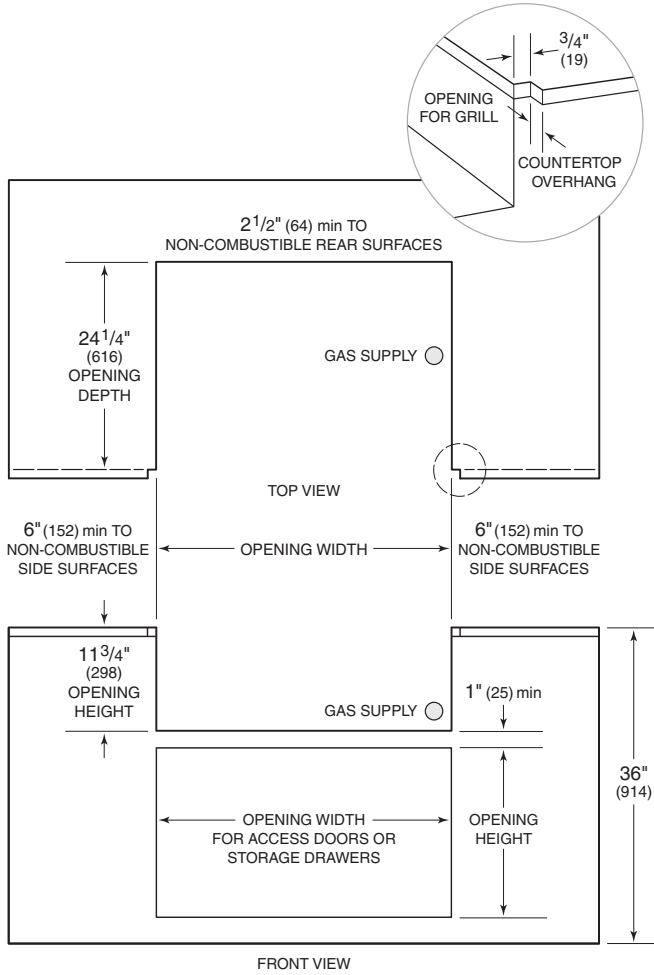
Outdoor Grill	
OVERALL WIDTH	W
Model OG30	30" (762)
Model OG36	36" (914)
Model OG42	42" (1067)

Grill Cart	
OVERALL WIDTH	W
Model CART30	30" (762)
Model CART36	36" (914)
Model CART42	42" (1067)

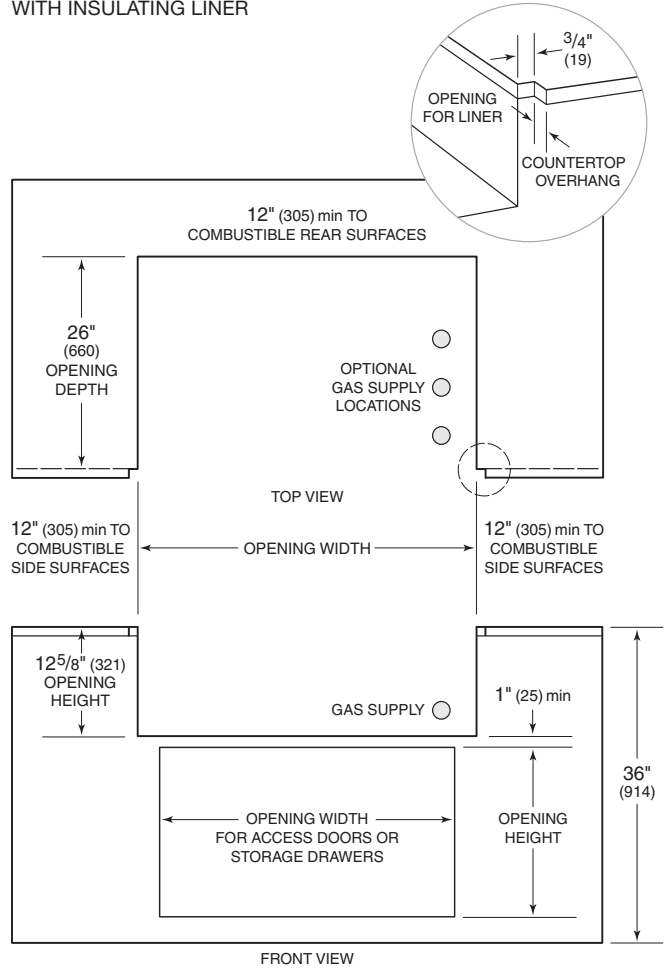
**IMPORTANT NOTE:** Throughout this guide, dimensions in parentheses are in millimeters unless otherwise specified.

Built-In Installations

NON-COMBUSTIBLE ENCLOSURE



COMBUSTIBLE ENCLOSURE WITH INSULATING LINER



Non-Combustible Enclosure

OPENING WIDTH	W
Model OG30	28 1/2" (724)
Model OG36	34 1/2" (876)
Model OG42	40 1/2" (1029)

Combustible Enclosure

OPENING WIDTH	W
Model OG30	33 1/2" (851)
Model OG36	39 1/2" (1003)
Model OG42	45 1/2" (1156)

Optional Opening

ACCESS DOORS	W	H
18" (457) Single	16 1/4" (413)	19" (483)
30" (762) Double	28 1/4" (718)	19" (483)
36" (914) Double	34 1/4" (870)	19" (483)
42" (1067) Double	40 1/4" (1022)	19" (483)

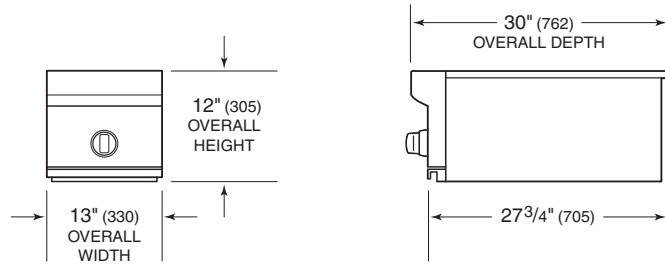
Optional Opening

STORAGE DRAWERS	W	H
30" (762) Single	27 1/4" (692)	9 3/4" (248)
13" (330) Double	12 1/8" (308)	19" (483)
13" (330) Triple	12 1/8" (308)	19" (483)
30" (762) Double with Door	29 1/4" (743)	19" (483)

## Overall Dimensions

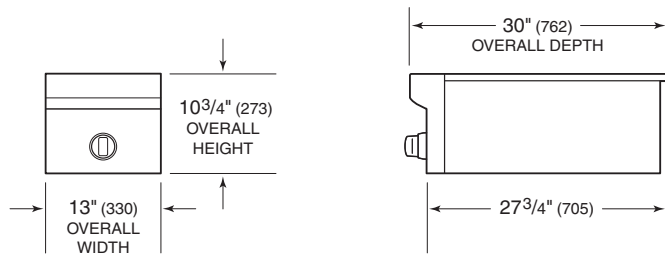
### SEAR MODULE

Model SM13



### BURNER MODULE AND SIDE BURNER

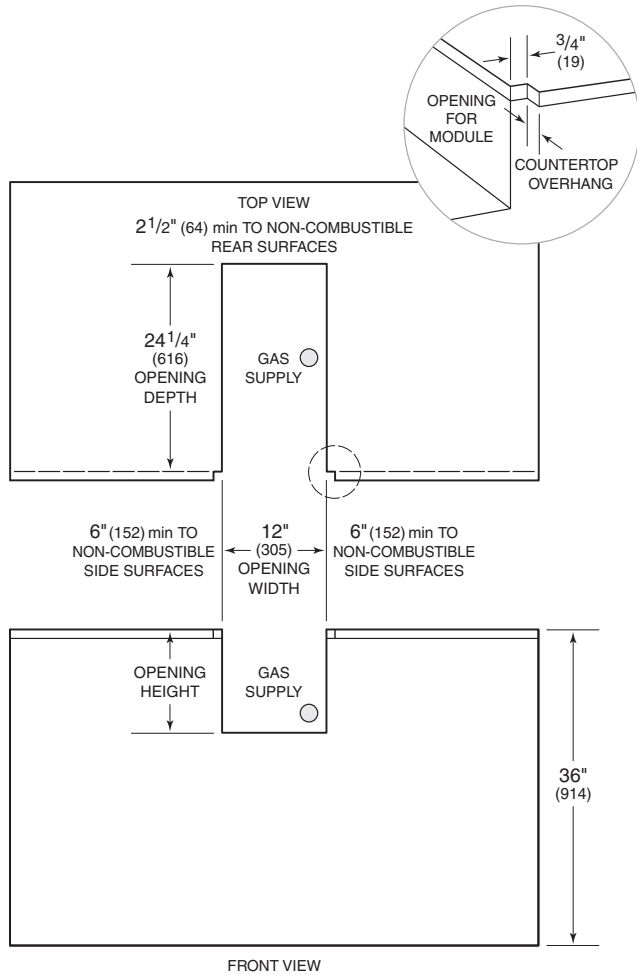
Models BM13 and SB13





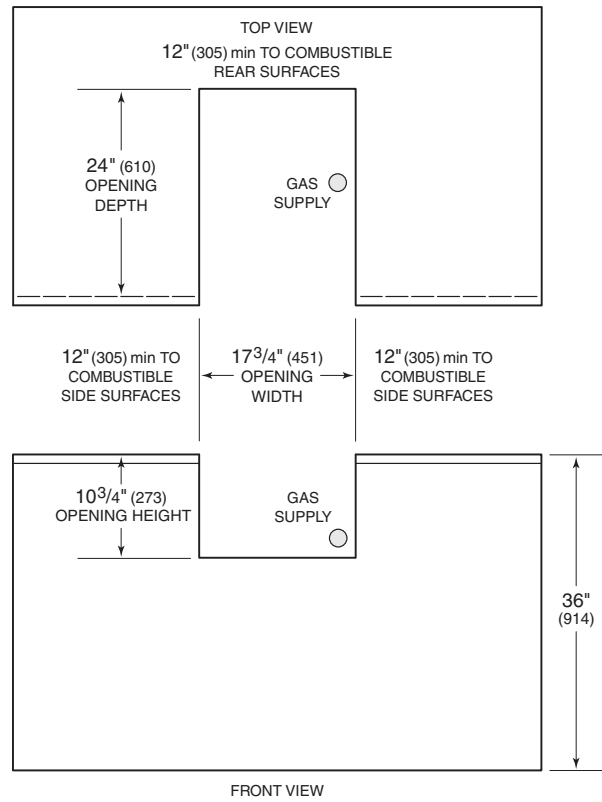
Module Installations

NON-COMBUSTIBLE ENCLOSURE



COMBUSTIBLE ENCLOSURE

WITH INSULATING LINER (MODEL SM13 ONLY)



Non-Combustible Enclosure

OPENING HEIGHT	H
Model SM13	11 3/4" (298)
Model BM13	9 1/2" (241)

## Electrical Requirements

### INSTALL THE POWER TRANSFORMER

Wolf outdoor grills have a power transformer for the lights and igniters which is concealed in a stainless steel box with an attached power supply cord.

**CART APPLICATION:** Two mounting screws with nuts are provided at the bottom right rear corner of the cart to secure the transformer box.

**BUILT-IN APPLICATION:** Secure the transformer box in a dry location, away from the grill firebox and excessive heat area, but within 2' (.6 m) of the right rear grill opening.

**IMPORTANT NOTE:** Do not install the transformer box inside the insulating liner. The transformer box must be secured away from excessive heat and in a dry location.

Make the transformer connections to the wire harness located at the right rear of the grill to the harness of the transformer box.

Plug the power cord from the transformer into a properly grounded GFCI 120 V AC outlet. The outlet must be located within 6' (1.8 m) of the transformer.

### ROTISSERIE MOTOR

The rotisserie motor requires a GFCI 120 V AC electrical supply. The 9' (2.7 m) power cord on the motor is equipped with a 3-prong grounded plug for protection against shock hazard.

#### WARNING

**ELECTRICAL GROUNDING:** The outdoor gas grill is equipped with a 3-prong grounding plug for protection against shock hazard. It should be plugged directly into a properly grounded 3-prong outlet. Do not cut or remove the grounding prong from the plug.

**DO NOT** use an extension cord or two-prong adapter.

## Gas Safety Requirements

**IMPORTANT NOTE:** The outdoor gas grill must be connected to a regulated gas supply by a qualified technician and in accordance with local codes and ordinances.

Each appliance is set and tested at the factory for the type of gas supply to be used. Identify the type of gas, either natural gas or LP gas, and make sure that the type of gas specified on the product rating plate matches the gas being supplied to the grill. Refer to page 3 for location of the rating plate.

Conversion kits are available for both LP and natural gas grills. Contact your Wolf dealer for more information.

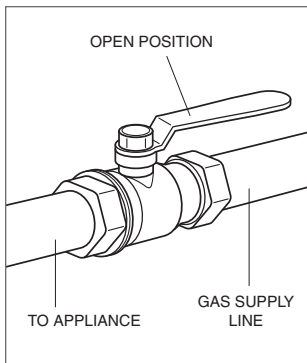
### Gas Supply Requirements

Connect the grill to the gas supply line. The gas supply line must be of adequate size to properly service all gas appliances. Wolf recommends the use of a minimum 1/2" (13) I.D. commercial type flex hose from the gas supply line to the grill connection. The units will operate on 1/2" (13) pipe to a maximum run of 30' (9 m). All plumbing to the flex hose must be 3/4" (19) minimum I.D. pipe.

**IMPORTANT NOTE:** For complete gas shutdown, an external gas shut-off valve must be located near the appliance in an accessible location. Refer to the illustration.

**⚠ WARNING**

Ensure that the gas supply hose does not come in contact with any hot surface of the grill.



Gas supply shut-off valve.

### Natural Gas Installations

The natural gas pressure regulator provided with natural gas grills is set for 4" (10 mb) WC (water column) and is for use with natural gas only.

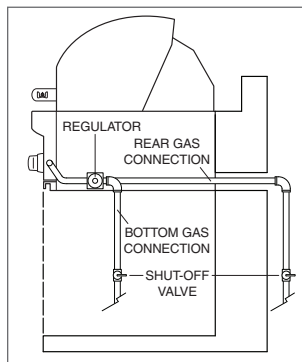
#### NATURAL GAS SAFETY REQUIREMENT

This gas appliance and its individual shut-off valve must be disconnected from the gas supply piping system during any pressure testing of that system at test pressures greater than .5 psi (3.5 kPa).

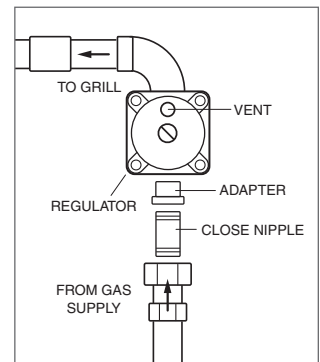
This gas appliance must be isolated from the gas supply piping system by closing its individual manual shut-off valve during any pressure testing of the gas supply piping system at test pressures equal to or less than .5 psi (3.5 kPa).

#### NATURAL GAS CONNECTION

A typical natural gas installation is shown in the illustrations below. Make sure that the pressure regulator supplied with the grill is used and installed with the arrow on the regulator pointing towards the grill. Do not use a replacement regulator other than that specified by Wolf. Use only gas piping that is approved for use with natural and LP gases.



Natural gas connection.



Natural gas regulator.

## LP Gas Installations

LP (liquefied petroleum) gas is sometimes called propane, butane or bottled gas. It is a flammable gas which becomes liquid when stored under high pressure inside a cylinder and it vaporizes when released.

The LP gas pressure regulator provided with LP gas grills is set for 10" (25 mb) WC (water column) and is for use with LP gas only. The regulator comes connected to a hose for use with a 20-lb LP gas cylinder.

### LP GAS SAFETY REQUIREMENT

The LP gas cylinder must be provided with an approved overfilling preventive device (OPD).

Any LP gas cylinder used with this appliance must be constructed and marked in accordance with the specifications for LP gas cylinders of the U.S. Department of Transportation (D.O.T.) or the National Standards of Canada CAN/CSA-B339, Cylinders, Spheres and Tubes for the Transportation of Dangerous Goods, and Commission, as applicable. Provided with a listed overfilling prevention device and a cylinder connection device compatible with the connection for outdoor cooking appliances.

The LP gas cylinder must be provided with a shut-off valve terminating in the cylinder valve outlet. It must include a collar to protect the cylinder valve. The cylinder supply system must be arranged for vapor withdrawal. Do not use a cylinder that is dented, rusted or has a damaged valve.

**IMPORTANT NOTE:** Do not operate the gas grill indoors or in any enclosed area. If the gas grill is not in use, the gas must be turned off at the LP gas cylinder. If the grill is to be stored indoors, disconnect the cylinder and leave it outdoors.

## LP Gas Installations

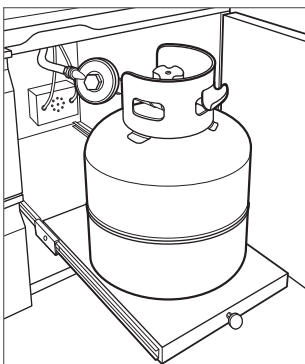
### PORTABLE LP CONNECTION

One of the many features of the Wolf grill cart is the pull-out shelf for easy access to the LP gas cylinder. It is designed to hold a 20-lb (5 gallon capacity) LP gas cylinder.

- 1) To install the LP gas cylinder, pull out the shelf and place the cylinder on it.
- 2) Check to ensure that the gas valve on top of the cylinder is closed.
- 3) Connect the LP gas regulator to the cylinder and hand-tighten only. Open the cylinder valve. Check for leaks according to the gas leak testing procedure on page 12.
- 4) Tighten the thumb screw to secure the cylinder to the shelf.

#### ⚠ WARNING

Always check for gas leaks after changing the LP gas cylinder.



Grill cart pull-out shelf.

### LP GAS CONNECTION

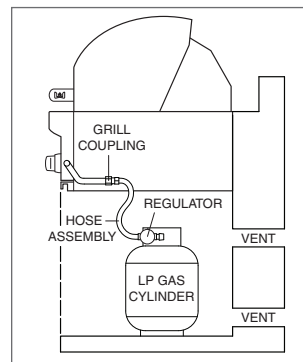
Install the pressure regulator and hose assembly supplied with the grill as shown in the illustrations below. Connect the  $\frac{3}{8}$ " flare end of the hose to the grill coupling using a  $\frac{3}{4}$ " open wrench. Do not apply pipe sealant to the  $\frac{3}{8}$ " flare connection. Connect the regulator to the LP cylinder hand-tighten, do not use a wrench.

#### ⚠ WARNING

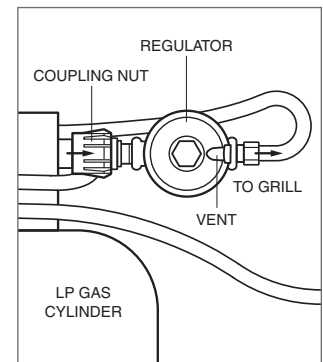
The LP pressure regulator and hose supplied with the grill must be used without alteration.

#### ⚠ WARNING

Do not place more than one LP gas cylinder in an enclosure at one time.



LP gas connection.



LP gas regulator.

## Gas Leak Testing

**IMPORTANT NOTE:** Never use the outdoor grill without first testing the gas line connections for gas leaks.

Perform a gas leak test each time the LP gas cylinder is connected to the regulator and any time part of the gas system is disconnected or replaced. This applies to natural gas as well as LP gas. Perform a leak test at least once each year whether the LP gas cylinder has been disconnected or not.

**IMPORTANT NOTE:** To prevent fire or explosion hazard, do not smoke or permit sources of ignition in the area while performing a leak test. Perform the gas leak test outdoors in a well ventilated area.

Have a dealer check the LP gas cylinder for deterioration when the tank is filled in accordance with regulations. Immediately replace the cylinder if any deterioration is found.

### ⚠ WARNING

**DO NOT** use an open flame to check for gas leaks. Use of an open flame could result in a fire, explosion and bodily harm.

### GAS LEAK TESTING PROCEDURE

- 1) Prepare a leak testing solution of soapy water by combining a mixture of half liquid soap and half water in a spray bottle.
  - 2) Verify that all control knobs are in the OFF position.
  - 3) Turn the cylinder valve knob counterclockwise one turn to open.
  - 4) Apply the leak testing solution by spraying on the pipe joints, fittings and hose. Bubbles in the soap and water solution indicate that a gas leak is present.
  - 5) Stop the leak by tightening the loose joint or by replacing the faulty part with a replacement part recommended by the Wolf. Do not attempt to repair the cylinder valve if it should become damaged. The cylinder must be replaced.
  - 6) If you are unable to stop the leak, shut off the gas supply at the cylinder valve. Remove the LP gas cylinder. Call a Wolf authorized service center.
- IMPORTANT NOTE:** Do not use the grill until the leak has been fixed.
- 7) Push in and turn any control knob to the ON position to release pressure in the hose and manifold.
  - 8) Turn the control knob to the OFF position.

## Outdoor Grill Assembly

Wolf outdoor grills are produced fully assembled and tested in the factory and require no major assembly in the field. For the purpose of safe shipping and transit, some parts such as the briquette trays, warming rack and rotisserie components are wrapped inside the grill and require minor assembly.

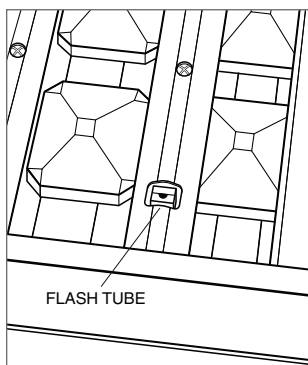
Remove all packaging materials, labels and protective plastic film from the grill.

**IMPORTANT NOTE:** Do not leave the grill or grill cart in the sun with the protective plastic film on for an extended period or it may be difficult to remove.

Verify that all grill components are included: control knobs, hex-grates, large and small briquette tray assemblies, rotisserie motor with bracket, spit rod and meat forks, natural gas or LP gas regulator, basting pan, warming rack and smoker box assembly.

### TO INSTALL BRIQUETTE TRAYS

- 1) Place the briquette trays into the grill above the burners with the flash tube at the front as shown in the illustration below.
- 2) Place the hex-grates directly above the briquette trays and make sure the square openings on the hex-grates are at the front.



Flash tube position.

## Install Grill to Cart

Wolf portable grill carts are available to fit all Wolf outdoor grill models.

- 1) In a cart application, two mounting screws with nuts are provided at the bottom right rear corner of the cart for the transformer. If not provided, drill two holes using the transformer box as a template. Install the transformer box.
- 2) Place grill onto cart. Leave enough room at the back right rear of the cart to make connection to the transformer.
- 3) Once connection to the transformer is made, slide the grill back until it is fully engaged with the cart.
- 4) With grill in position, secure grill to cart with four screws provided. Mounting holes in the upper back corners of the grill will align with holes in the cart. Secure with two screws. Remove the drip tray. Install two screws through side mounting holes below the grill front panel and into the cart.

## Installation Checklist

**IMPORTANT NOTE:** To ensure a safe and proper installation, the following checklist should be completed by the installer to ensure that no part of the installation has been overlooked.

Any questions or problems about the installation should be directed to your Wolf dealer or Wolf customer service at 800-332-9513. You can also visit our website at [wolfappliance.com](http://wolfappliance.com).

- All packaging material has been removed.
- Specified clearances to combustible materials have been maintained.
- All burners light properly, individually and with adjacent burners lit.
- All flames appear normal.
- The drip tray slides freely and is properly placed.
- The correct pressure regulator is connected for natural or LP gas and set for 4" (10 mb) WC for natural gas or 10" (25 mb) WC for LP gas.
- The LP gas cylinder is in an upright position and the hose is not kinked.
- The grill has been tested and is free of any gas leak.
- The homeowner has been informed of the gas supply shut-off valve location.

## Troubleshooting

**IMPORTANT NOTE:** If the outdoor gas grill does not operate properly, follow these troubleshooting steps:

- Verify that gas is being supplied to the grill.
- Check the gas supply and electrical connections to ensure that the installation has been completed correctly.
- Check that control knobs are turned to the ON position and held in to active the igniters.
- Follow troubleshooting procedures as described in the Wolf outdoor gas grills use & care guide.
- If the outdoor grill still does not work, contact a Wolf authorized service center. Do not attempt to repair the grill yourself. Wolf is not responsible for service required to correct a faulty installation.

### **▲ WARNING**

**Be sure to disconnect the electrical and gas supply before servicing.**



## Service Information

If service is necessary, maintain the quality built into your outdoor grill by calling a Wolf authorized service center.

To obtain the name and number of a Wolf authorized service center, check the contact & support section of our website, [wolfappliance.com](http://wolfappliance.com) or call Wolf customer service at 800-332-9513.

When calling for service, you will need the outdoor grill model and serial numbers. Both numbers are listed on the product rating plate, located under the drip tray, below the logo. The drip tray must be removed to view the rating plate. Refer to the illustration on page 3 for location of the rating plate.





WOLF APPLIANCE, INC. P. O. BOX 44848 MADISON, WI 53744 WOLFAPPLIANCE.COM 800.332.9513

814446 REV-B

5/2009

