

CHIMNEY HOODS

WC26

Inclined, tempered glass canopy with blue LED accent edge lighting

304 brushed stainless, or brushed copper finishes

Efficient, HVI certified internal (Quiet 1.0 Sone at low speed) or external blower options

Stainless steel/aluminum dishwasher-safe filter

Ambient light sensor can automatically turn on/off the blue LED accent lighting for nighttime ambiance and safety

Two-level halogen provides brilliant cooktop lighting

10 minute time delay shut-off feature and reminder indicator for filter maintenance

Heat Sentry™ is a smart feature that detects excessive heat and adjusts speed to high automatically

Telescopic flue for 8' to 9' ceilings, ducted/non-ducted applications — custom extensions available

Its aggressive, wedge-like appearance is more than a design detail. It directs heat and moisture to the blower for exceptional capture.

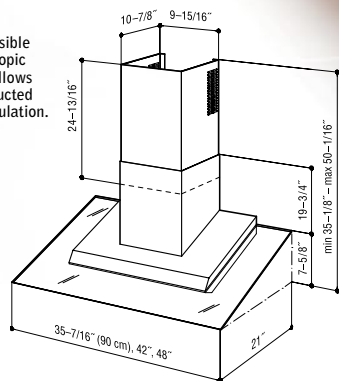


Two 20-watt halogen lamps provide ample lighting for the work surface.



Four-speed, electronic push-button control with blue LED display.

Reversible telescopic flue allows non-ducted recirculation.



For installation guidelines and product details see pages 54 – 58.



Brushed Stainless

Model	Width	Blower	CFM	Finish
WC26I	35-7/16" (90cm), 42", 48"	INT. ■	480	304 Brushed Stainless, Brushed Copper
WC26E	35-7/16" (90cm), 42", 48"	EXT. ♦	4 In-line 4 Exterior	304 Brushed Stainless, Brushed Copper

■ Blower included. ♦ Blower purchased separately.