

# BUILT-IN COLLECTION

## U102

Modern slim design in brushed stainless or two durable powder coated colors provides effective ventilation in an ultra-compact package – 12" retracted, 18" extended

Decorative filler provides a small backsplash

Quiet, efficient internal or external\* blowers with HVI-certified performance are hidden in the cabinet above the hood (see p. 52)

Dishwasher-safe stainless steel filter

Optional charcoal filter kit for recirculating air to the kitchen (duct work required — see p. 53)

Bright halogen lighting with two intensity settings

Manually extend the glass visor to automatically activate the fan and lighting

10-minute time-delay shut-off feature and reminder indicator for filter maintenance

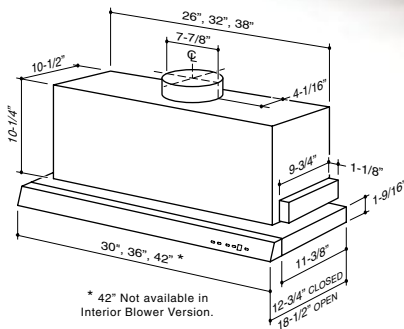
Heat Sentry™ is a smart feature that detects excessive heat and adjusts speed to high automatically

Not recommended for use with gas or electric grills



The U102 features electronic four-speed push-button controls with an easy-to-read blue digital display.

If you've ever wanted a range hood that shuns attention – except when you want it – welcome to your answer.



For installation guidelines and product details see pages 54 – 58.

Model	Width	Blower	CFM	Finish
U102I	30", 36"	INT. ■	500	304 Brushed Stainless, Black, White
U102E	30", 36", 42"	EXT. ♦ (see page 52)	4 In-line 4 Exterior	304 Brushed Stainless, Black, White

■ Blower included. ♦ Blower purchased separately.