



# REFRIGERATION

## Undercounter/Freestanding 15"W. Ice Machine



### Standard Features & Accessories

#### All models include

- Produces up to 65 lbs. of clear ice per day
- 26 lb. capacity ice bin
- 1" x 1-1/8" x 1-1/4" cube size
- LED light
- LED control panel
  - Power On/Off
  - Check water alert
  - Time to clean alert
- Water quality sensor
- Stainless steel exterior cabinet
- Tru-Flush™ design
- Agency certified for outdoor use
- Self-closing door
- 90° door stop option
- Black kickplate with stainless steel cover
- Adjustable leveling legs

### Model Options



**FGIM515/FPIM515  
Professional Door Panel  
(PIDP15)**

#### FINISH DETAILS FOR FGIM/FPIM MODEL

- Accepts optional Professional door panel
- Professional door panel available in stainless steel (SS)
- Professional door panels must be ordered left hinge (LH) or right hinge (RH)



**FGIM515/FPIM515  
Designer Door Panel  
(DIDP15)**

#### FINISH DETAILS FOR FGIM/FPIM MODEL

- Accepts optional Designer door panel
- Designer door panel available in stainless steel (SS)
- Designer door panels must be ordered left hinge (LH) or right hinge (RH)



**FGIM515/FPIM515  
Custom Panel**

#### FINISH DETAILS FOR FGIM/FPIM MODEL

- Handle not included—opt for custom handle, or purchase a Viking Professional Series or Designer Series handle kit (see **Installation Notes & Accessories**).
- Accepts 3/4"-thick custom wood front
- See **Custom Panels** section for more information and additional specifications.





★ Please see Installation Notes & Accessories for important information, including drain pump and handle kits.

## Dimensions & Specifications

### PRODUCT DIMENSIONS



**FGIM515/FPIM515**  
Professional Door Panel  
(PIDP15)

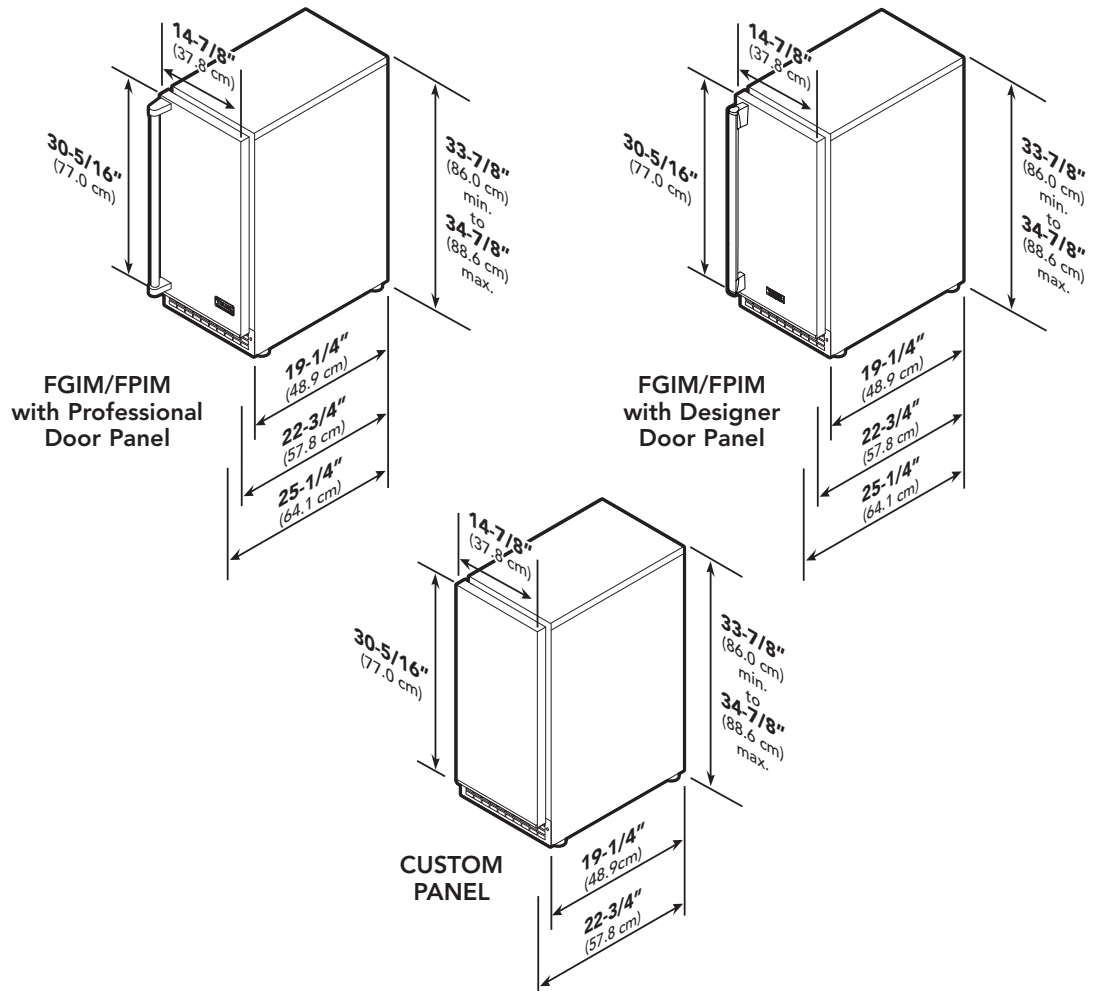


**FGIM515/FPIM515**  
Designer Door Panel  
(DIDP15)



**FGIM515/FPIM515**  
Custom Panel

See Custom Panels section for more information and additional specifications.



|                           | <b>FGIM515</b>     | <b>All Models</b>                                | <b>FPIM515</b>     |
|---------------------------|--------------------|--|--------------------|
| Overall width             |                    | 14-7/8" (37.8 cm)                                |                    |
| Overall height            |                    | 33-7/8" (86.0 cm) min. to 34-7/8" (88.6 cm) max. |                    |
| Overall depth (from rear) |                    |  |                    |
| To front of handle        |                    | 25-1/4" (64.1 cm)                                |                    |
| With door open            |                    | 37-3/4" (95.9 cm)                                |                    |
| Approx. ship weight       | 113 lbs. (51.2 kg) |  | 118 lbs. (53.5 kg) |



## Dimensions & Specifications

### DOOR SWING



**FGIM515/FPIM515**  
Professional Door Panel  
(PIDP15)

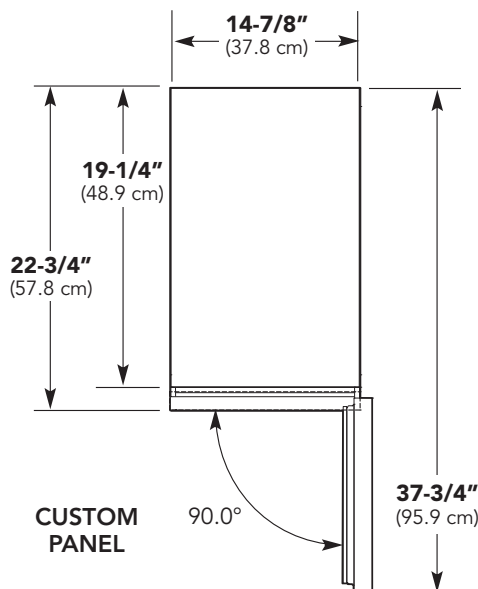
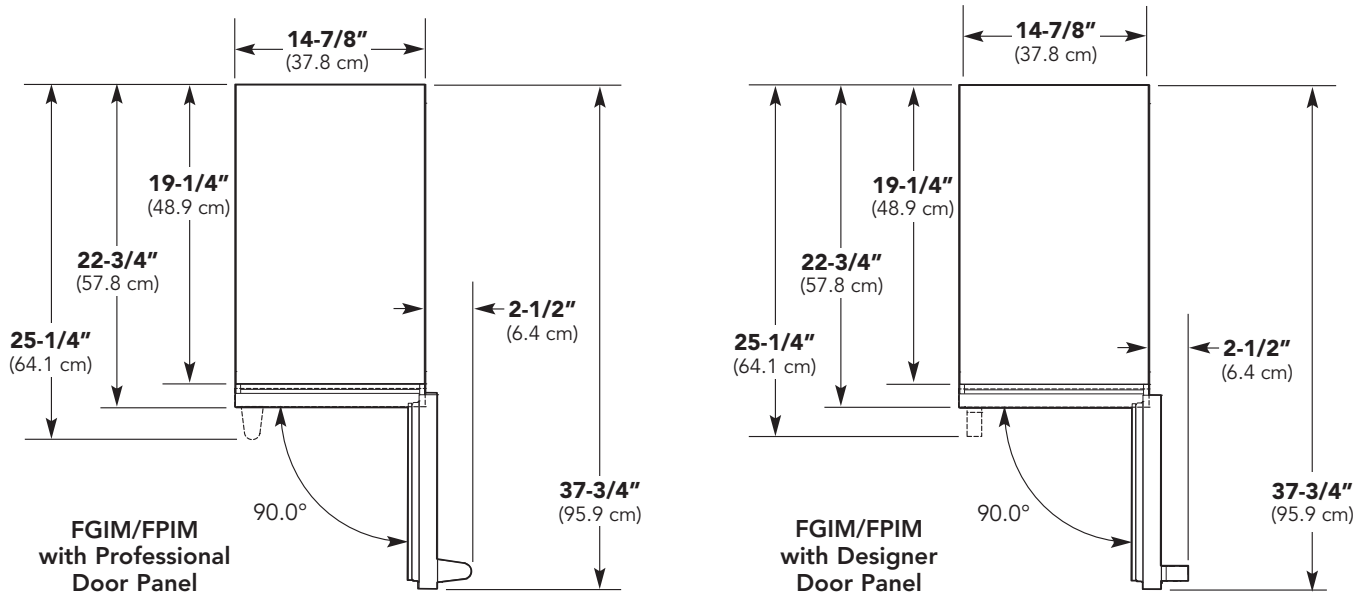


**FGIM515/FPIM515**  
Designer Door Panel  
(DIDP15)



**FGIM515/FPIM515**  
Custom Panel

See **Custom Panels** section for more information and additional specifications.





**UTILITY REQUIREMENTS**



**GAS**  
Not applicable



- ELECTRICAL**
- 6' (1.8 m), 3-wire cord with grounded, 3-prong plug attached to product
  - 115V/60 Hz; 15-amp dedicated circuit
  - Max. amp usage—5.0



- PLUMBING**
- Inlet waterline requirements—1/4" (0.64 cm) OD copper tubing
  - 20 psi min.; 80 psi max.

**Installation Requirements**

**ACCESS REQUIREMENTS**



**FGIM515/FPIM515 Professional Door Panel (PIDP15)**

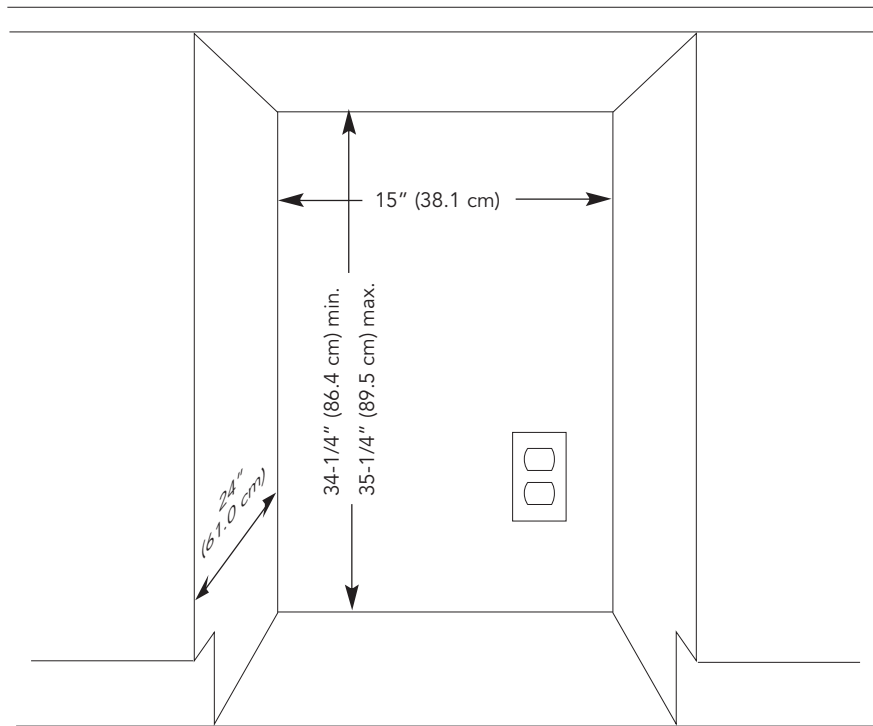


**FGIM515/FPIM515 Designer Door Panel (DIDP15)**



**FGIM515/FPIM515 Custom Panel**

See **Custom Panels** section for more information and additional specifications.



| <b>All models</b> |  |
|-------------------|--|
| Cutout width      | 15" (38.1 cm)                                    |
| Cutout height     | 34-1/4" (86.4 cm) min. to 35-1/4" (89.5 cm) max. |
| Cutout depth      | 24" (61.0 cm)                                    |



## ★ Installation Notes & Accessories

### Door Panel Kits

- For use with custom panel ice machine
- Kit includes one door panel and installation hardware
- Order "R" for right hinge or "L" for left hinge

| Model      | Description                                  | Approx. ship wt. lbs. (kg) |
|------------|--|----------------------------|
| PIDP15L-SS | Professional door panel LH (Stainless Steel) | 14 (6.3)                   |
| PIDP15R-SS | Professional door panel RH (Stainless Steel) | 14 (6.3)                   |
| DIDP15L-SS | Designer door panel LH (Stainless Steel)     | 14 (6.3)                   |
| DIDP15R-SS | Designer door panel RH (Stainless Steel)     | 14 (6.3)                   |

### Handle Kits

- For use with custom panel ice machine
- For use on locally supplied custom panel
- Handles allow custom panel products to coordinate with other Professional and Designer products
- Kit includes one handle and installation hardware

| Model     | Description                           | Approx. ship wt. lbs. (kg) |
|-----------|---------------------------------------|----------------------------|
| PHK30-SS  | Professional handle (Stainless Steel) | 6 (2.7)                    |
| DDHK29-SS | Designer handle (Stainless Steel)     | 5 (2.3)                    |

### Drain Pump Kit

- For use with FGIM ice machine when floor drain is not available

| Model   | Description | Approx. ship wt. lbs. (kg) |
|---------|-------------|----------------------------|
| DP-FGIM | Drain pump  | 2 (0.9)                    |

### Compliance Information



### WARRANTY SUMMARY\*

- Two-year full warranty—complete unit
- Six-year full warranty—sealed refrigeration system (includes compressor, condenser, dryer/strainer, evaporator, and connecting tubing)
- Twelve-year limited warranty—sealed refrigeration system
- Ninety-day limited warranty—cosmetic parts such as glass, painted, and decorative items

\*For complete warranty see *Use & Care Guide*. Warranty valid on Viking products shipped within the United States and Canada.

