

# Installation Instructions Island and Wall Hoods Indoor and Outdoor Applications

**PLEASE READ ENTIRE INSTRUCTIONS BEFORE PROCEEDING.  
INSTALLATION MUST COMPLY WITH ALL LOCAL CODES.**

- IMPORTANT: Save these instructions for the Local Electrical Inspector's use.  
INSTALLER: Please leave these instructions with this unit for the owner.  
OWNER: Please retain these instructions for future reference.  
SAFETY WARNING: Turn off power circuit at the service panel and lock out panel, before wiring this unit.

---

## IMPORTANT SAFETY INSTRUCTIONS

**CAUTION - TO REDUCE THE RISK OF FIRE, ELECTRIC SHOCK, OR INJURY TO PERSONS, OBSERVE THE FOLLOWING:**

1. Use this unit only in the manner intended by the manufacturer. If you have any questions, contact the manufacturer - Independent Inc. (800-7-NEVADA)
2. Before servicing or cleaning the unit, switch power off at service panel and lock the service disconnecting means to prevent power from being switched on accidentally. When the service disconnecting means cannot be locked, attach a tag to the service panel to indicate power has been switched off for maintenance.
3. Install this Rangehood Only with Remote Blower Models Rated Maximum 12.8A or Integral Blowers manufactured by Independent Inc., Models CFM 600, CFM600C, CFM1200, CFM1200C.

**CAUTION: FOR GENERAL VENTILATION USE ONLY. DO NOT USE TO EXHAUST HAZARDOUS OR EXPLOSIVE MATERIALS OR VAPOR.**

**CAUTION - TO REDUCE THE RISK OF A RANGE TOP GREASE FIRE:**

1. Never leave surface units unattended at high settings. Boilovers cause smoking and greasy spillovers that may ignite. Heat oils slowly on low or medium settings.
2. Always turn hood ON when cooking at high heat or when flambeing foods (i.e. Crepes Suzette, Cherries Jubilee, Peppercorn Beef Flambe.
3. Clean ventilating fans frequently. Grease should not be allowed to accumulate on fan or filter.
4. Always use cookware appropriate for the size of the surface element.

**CAUTION - TO REDUCE THE RISK OF INJURY TO PERSONS, IN THE EVENT OF A RANGE TOP GREASE FIRE, OBSERVE THE FOLLOWING:**

1. SMOTHER FLAMES with a close-fitting lid, cookie sheet, or other metal tray, then turn off the gas burner or the electric element.

2. BE CAREFUL TO PREVENT BURNS. If the flames do not go out immediately, EVACUATE AND CALL THE FIRE DEPARTMENT.
3. NEVER PICK UP A FLAMING PAN - you may be burned.
4. DO NOT USE WATER, including wet dish-cloths or towels - a violent steam explosion will result.
5. Use an extinguisher **ONLY** if:
  - a. You know you have a class ABC extinguisher, and you already know how to operate it.
  - b. The fire is small and contained in the area where it started.
  - c. The fire department is being called.
  - d. You can fight the fire with your back to an exit.

# IMPORTANT SAFETY INSTRUCTIONS FOR INSTALLATION

**CAUTION - TO REDUCE THE RISK OF FIRE, ELECTRIC SHOCK, OR INJURY TO PERSONS, OBSERVE THE FOLLOWING:**

**CAUTION: FOR GENERAL VENTILATION USE ONLY. DO NOT USE TO EXHAUST HAZARDOUS OR EXPLOSIVE MATERIALS OR VAPORS.**

- A. Installation work and electrical wiring must be done by a qualified person in accordance with all applicable codes and standards, including fire-rated construction.
- B. Sufficient air is needed for proper combustion and exhausting of gases through the flue (chimney) of fuel burning equipment to prevent

backdrafting. Follow the heating equipment manufacturer's guidelines and safety standards such as those published by the National Fire Protection Association (NFPA), and the American Society for Heating, Refrigeration and Air Conditioning Engineers (ASHRAE), and the local code authorities.

- C. When cutting or drilling into a wall or ceiling, do not damage electrical wiring and other hidden utilities.
- D. Ducted fans must always be vented to the outdoors.
- E. If this unit is to be installed over a tub or shower, it must be marked as appropriate for the application and be connected to a GFCI (Ground Fault Circuit Interrupter) - protected branch circuit.

F. NEVER place a switch where it can be reached from a tub or shower.

**G. CAUTION - TO REDUCE THE RISK OF FIRE, USE ONLY METAL DUCTWORK.**

- H. Install this hood in accordance with all requirements specified by the manufacturer of your cooktop/range.
- I. Install this hood using required clearance from cooking surface to combustible material specified in cooktop installation instructions.

---

---

## READ AND SAVE THESE INSTRUCTIONS

---

---

### INSTALLATION PRECAUTIONS

The high degree of craftsmanship in the construction and finish of your hood requires careful handling to ensure proper installation.

- Do not remove your hood from its carton until you are ready to hang it.
- Do not store your hood anywhere other than within the carton. If it is necessary to remove your hood from the carton, arrange it on a blanket or padded area that will protect your hood from scratches or indentations.
- Do not lift the hood by its utensil rail. Place your fingers under the lower reveal of the hood. Grasp firmly and lift.
- Cotton gloves are preferable. They will protect the surface from fine scratches and eliminate fingerprints.

- Remove all rings, watches, belt buckles, and jackets (snaps-zippers) to prevent scratch marks.
- Do not remove the cotton flannel from your hood until the installation process is complete. It will be necessary to remove only a small portion on the back-side of a wall mounted hood in order to position in place.
- Located within the hood cavity (behind the baffle filter) are component parts and halogen bulbs.

## MODEL OPTIONS

<b>Model</b>	<b>Fans</b>	<b>Suggested Installation Methods</b>	<b>Material</b>
LP LOW PROFILE	CFM600	Rough-In Plate	Stainless Steel, and other unique hood materials
LPHL LOW PROFILE HEAT LAMP	CFM600	Rough-In Plate	Stainless Steel, and other unique hood materials
INCL INCLINE	CFM1200 CFMR1400	Rough-In Plate Island Mount	Stainless Steel, and other unique hood materials
INHL INCLINE HEAT LAMP	CFM1200 CFMR1400	Rough-In Plate	Stainless Steel, and other unique hood materials
BONZ BONANZA	CFM1200 CFMR1400	Rough-In Plate	Stainless Steel, and other unique hood materials
CONN CONNOISSEUR	CFM1200 CFMR1400	Rough-In Plate	Stainless Steel, and other unique hood materials
SNFE SANTA FE	CFM600 CFM1200, CFMR1400	Rough-In Plate Island Mount	Stainless Steel, and other unique hood materials
ASPN ASPEN	CFM1200 CFMR1400	Rough-In Plate	Stainless Steel, and other unique hood materials
SILV SILVERADO	CFM600 CFM1200, CFMR1400	Wall Mount Island Mount	Stainless Steel, and other unique hood materials
TAHO TAHOE	CFM600 CFM1200, CFMR1400	Wall Mount Island Mount	Stainless Steel, and other unique hood materials
CSNO CASINO ROYALE	CFM600 CFM1200, CFMR1400	Wall Mount Island Mount	Stainless Steel, and other unique hood materials
PAGO PAGODA	CFM600 CFM1200, CFMR1400	Wall Mount Island Mount	Stainless Steel, and other unique hood materials
CRES CRESCENT	CFM600 CFM1200, CFMR1400	Wall Mount Island Mount	Stainless Steel, and other unique hood materials
POND PONDEROSA	CFM600 CFM1200, CFMR1400	Wall Mount Island Mount	Stainless Steel, and other unique hood materials
SAHA SAHARA	CFM600 CFM1200, CFMR1400	Wall Mount Island Mount	Stainless Steel, and other unique hood materials
ARMA ARMADA	CFM600 CFM1200, CFMR1400	Wall Mount Island Mount	Stainless Steel, and other unique hood materials
CNVX CONVEX CURVE	CFM600 CFM1200, CFMR1400	Wall Mount	Stainless Steel, and other unique hood materials
RECT RECTANGULAR	CFM600 CFM1200, CFMR1400	Wall Mount Island Mount	Stainless Steel, and other unique hood materials
LOUV LOUVER	CFM600 CFM1200, CFMR1400	Wall Mount Island Mount	Stainless Steel, and other unique hood materials
SILH SILHOUETTE	CFM600 CFM1200, CFMR1400	Wall Mount	Stainless Steel, and other unique hood materials
PINN PINNACLE	CFM600 CFM1200, CFMR1400	Wall Mount	Stainless Steel, and other unique hood materials

# INSTALLATION PLANNING

## CHECK THE INSTALLATION LOCATION

- If your installation has been roughed-in (including ductwork and wiring), be certain there are no obstructions in the way of the mounting, pipes, other wiring, etc.
- If the installation has not been roughed in, check what is needed to create the framing and mounting hardware (allthreads, nuts, etc.). Be sure the location will not interfere with wiring, other utilities, or structural considerations.

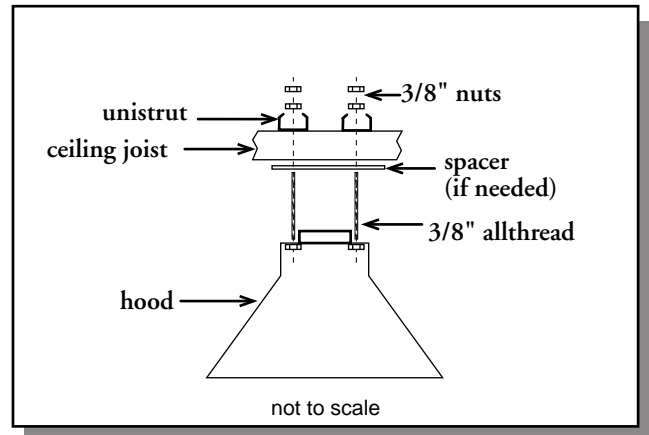
## CHOOSE THE INSTALLATION METHOD

There are several different methods available to mount the hood: the Unistrut, Angle Iron, Frame In, Wall Mount, Island Mount and Rough-In Plate Mount, which can be used for both indoor and outdoor applications. Please check the model options for the suggested methods of your installation. Each hood type and site requirements are presented as follows.

INSTALLATION QUESTIONS? PLEASE DIAL:  
1-800-7-NEVADA

## UNISTRUT MOUNT

1. Make sure there is at least a 10" opening in the ceiling or wall to accommodate the duct.
2. If necessary, install 2 wood spacers so the top of the hood is flush with the ceiling or wall.
3. Install all four of the allthread bolts into the top of the hood.
4. Position the 2 Unistruts across the ceiling joists.
5. Lift the hood and guide the allthread through the Unistrut. (At least 2 people are recommended for this step)
6. Secure the hood with 3/8" nuts (do not tighten).
7. Adjust hood to proper location and tighten nuts. A second nut should be used as a locknut to prevent vibration and ensure stability.
8. Connect the duct to hood using 3 sheet metal screws and seal with silicone or duct tape.
9. Make electrical connections. (An electrical contractor should make all electrical connections. See wiring diagram.)



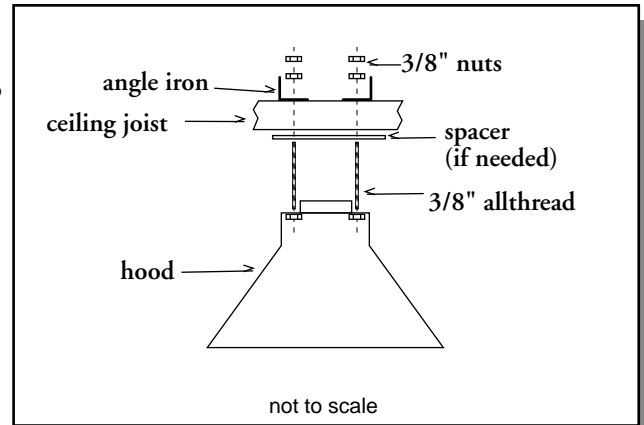
**CAUTION:** Vent unit to outside of building.

### Materials Needed:

Item	Quantity
1. 3/8" X 12" Allthread	4
2. 3/8" nuts	8
3. Unistruts approx. 30" long	2

## ANGLE IRON MOUNT

1. Make sure there is at least a 10" opening in the ceiling or wall to accommodate the ducting.
2. If necessary, install 2 wood spacers in order for the top of the hood to be flush with the ceiling or wall.
3. Insert all four of the allthread bolts into the top of the hood.
4. Drill 2-7/16" holes in each angle iron (align with nuts) in the top of the hood.
5. Position the 2 angle irons across the ceiling joists.
6. Lift the hood and guide the allthread bolts through the angle iron . (At least 2 people are recommended for this step)
7. Secure the hood with 3/8" nuts (do not tighten).
8. Adjust hood to proper location and tighten nuts. A second nut should be used as a locknut to prevent vibration and ensure stability.
9. Connect the duct to hood using 3 sheet metal screws and seal with silicone or duct tape.
10. Make electrical connections. (An electrical contractor should make all electrical connections. See wiring diagram.)



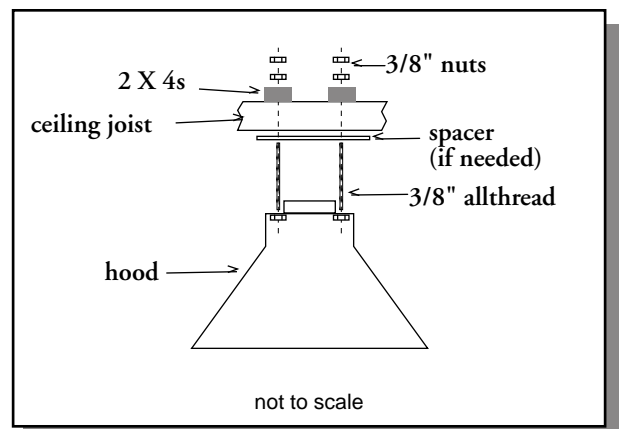
### Materials Needed:

Item	Quantity
1. 3/8" X 12" Allthread	4
2. 3/8" nuts	8
3. Angle Iron approx. 30" long	2

**CAUTION: Vent unit to outside of building.**

## FRAME-IN MOUNT

1. Use 2x4s to construct the framing. The excessive weight of the hood makes this necessary.
2. Mark the center location of the hood. Install two 2x4s (wide side down) across ceiling joists with outer edges aligned with the existing ceiling joist.
3. Drill 7/16" holes in 2x4s the same distance apart as the nuts in the top of the hood, plus the finished drywall thickness. This ensures the hood is tightly fitting against the wall. Install wooden spacers if necessary to ensure the top of the hood is flush with the ceiling.
4. Insert all four of the allthread bolts into the top of the hood. (Approximately 3")
5. Lift the hood and guide the allthread through the 2x4s. (At least 2 people are recommended for this step)
7. Secure the hood with 3/8" nuts (do not tighten).
8. Adjust hood to proper location and tighten nuts. A second nut should be used as a locknut to prevent vibration and ensure stability.
9. Connect the duct to hood using 3 sheet metal screws and seal all joints with silicone or duct tape.
10. Make electrical connections. (An electrical contractor should make all electrical connections. See wiring diagram.)



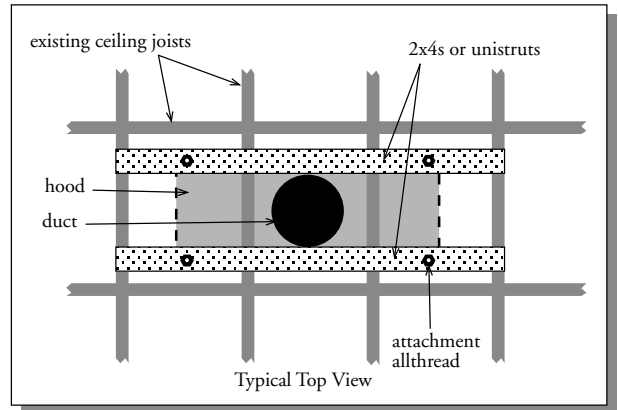
### Materials Needed:

Item	Quantity
1. 3/8" X 12" Allthread	4
2. 3/8" nuts	8
3. Angle Iron approx. 30" long	2

**CAUTION: Vent unit to outside of building.**

## ISLAND OR WALL HOODS - CEILING MOUNTED

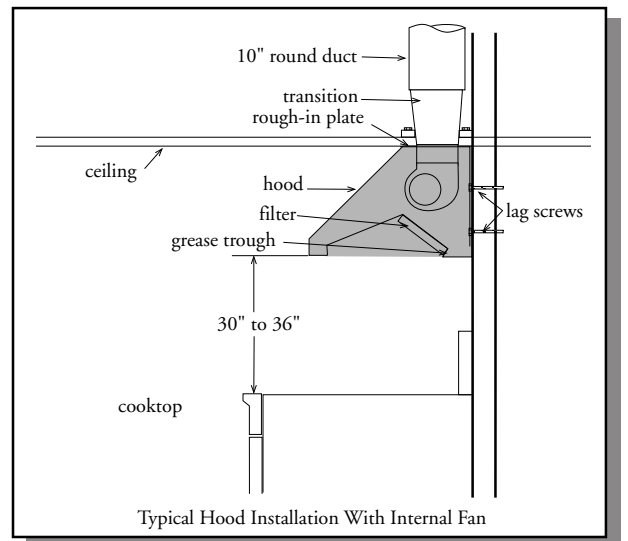
1. Use 2x4s, Unistrut or Angle Iron to construct this framing. The considerable weight of the hood makes this necessary.
2. Mark the center location of the hood. Install two 2x4s (wide side down), Unistrut or Angle Iron, across ceiling joists with outer edges aligned with the existing ceiling joist.
3. Drill two 7/16" diameter holes in the 2x4s, Unistrut or Angle Iron, the same distance apart as the nuts in the top of the hood, plus the finished drywall thickness. This ensures the hood is tightly fitted against the wall. Install wooden spacers if necessary to ensure the top of the hood is flush with the ceiling.
4. Insert in all four of the allthread bolts into the top of the hood. (Approximately 3")
5. While lifting the hood to position guide the allthread through the 2x4s, Unistrut or Angle Iron. (At least 2 people are recommended for this step)
7. Secure the hood with 3/8" nuts (do not tighten).
8. Adjust hood to proper location and tighten nuts. A second nut should be used as a locknut to prevent vibration and ensure stability.
9. Connect the duct to hood using 3 sheet metal screws and seal all joints with silicone or duct tape.
10. Make electrical connections. (An electrical contractor should make all electrical connections. See wiring diagram.)



**CAUTION: Vent unit to outside of building.**

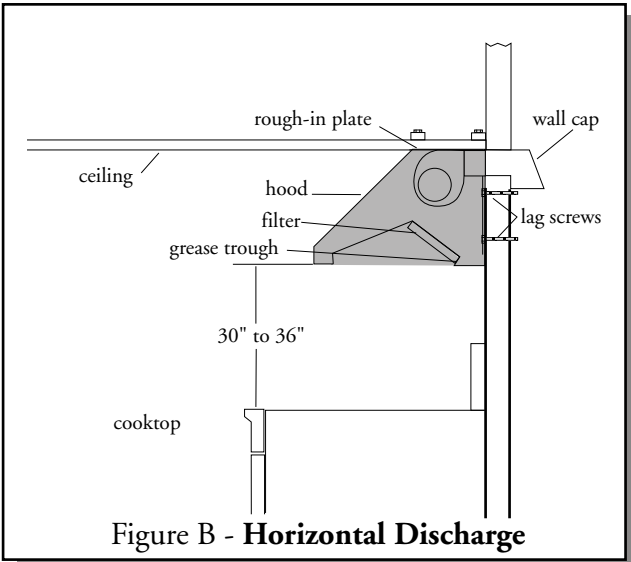
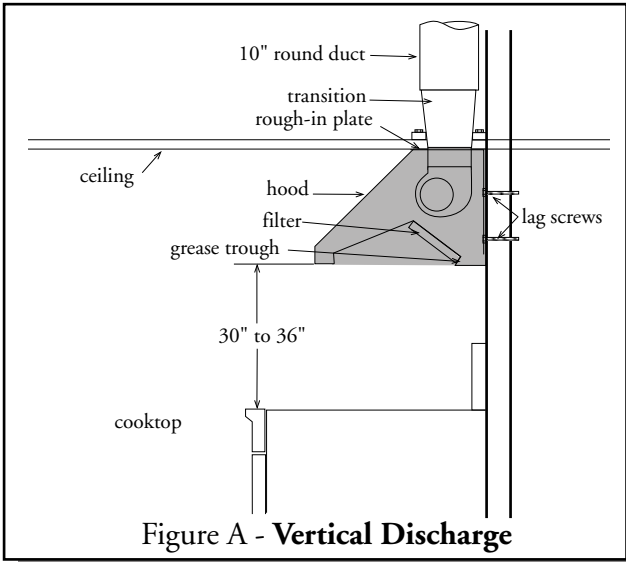
## WALL MOUNTED HOODS

1. Use 2x4s, Unistrut or Angle Iron, to construct the framing. The considerable weight of the hood makes this necessary.
2. Mark the center location of the hood. Install two 2x4s (wide side down), Unistrut or Angle Iron, across ceiling joists with outer edges aligned with the existing ceiling joist.
3. Drill two 7/16" diameter holes in the 2x4s, Unistrut or Angle Iron, the same distance apart as the nuts in the top of the hood, plus the finished drywall thickness. This ensures the hood is tightly fitted against the wall. Install wooden spacers if necessary to ensure the top of the hood is flush with the ceiling.
4. Insert all four of the allthread bolts into the top of the hood. (Approximately 3")
5. While lifting the hood, guide and position the allthread through the 2x4s, Unistrut or Angle Iron, (At least 2 people are recommended for this step)
7. Secure the hood with 3/8" nuts (do not tighten).
8. Adjust hood to proper location and tighten nuts. A second nut should be used as a locknut to prevent vibration and ensure stability.
9. Locate studs and drill 3/8" diameter holes through back panel. Secure hood to wall with (4) 1/4" x 1-1/2" lag screws.
10. Connect the duct to hood using 3 sheet metal screws and seal all joints with silicone or duct tape.
11. Make electrical connections. (An electrical contractor should make all electrical connections. See wiring diagram.)



**CAUTION: Vent unit to outside of building.**

# ROUGH-IN PLATE MOUNTED



## TYPICAL INSTALLATION

Most hoods are designed for either vertical or horizontal discharge as shown in Figure A and B respectively.

## STEP 1. INSTALLATION OF ROUGH-IN PLATE

1. The hood unit is shipped with the rough-in plate and the transition attached.

Note: The transition is shipped upside down within the hood unit and must be removed and reinstalled. (See Figures 1 through 3.)

2. To detach the rough-in plate/transition from the hood unit, remove the four (4) screws on the top and four (4) screws on the back of the unit as shown in Figure 1.
3. Detach the transition from the rough-in plate by removing four (4) screws. The shipping screws are needed for re-attaching the transition to the rough-in plate.
4. Secure the transition to the top of the rough-in plate, using four (4) screws provided. Use duct tape to seal the joints of the transition and the top of the rough-in plate. (See Figure 2.)
5. Mark the center of the rough-in plate and align with the center of the soffit. (See Figure 3.)
6. Install rough-in plate to the soffit, using four (4) #10x1" screws packed with the plate. (See example for 36" hood in Figure 3.) These screws must be driven into the soffit framing.
7. Secure the back side of the rough-in plate to the wall stud.

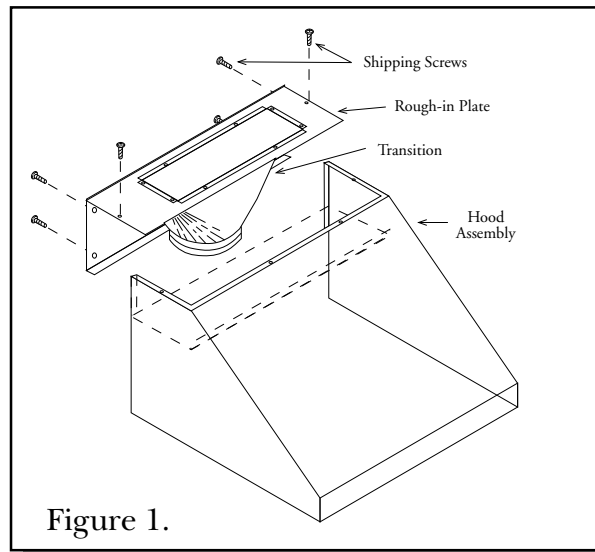


Figure 1.

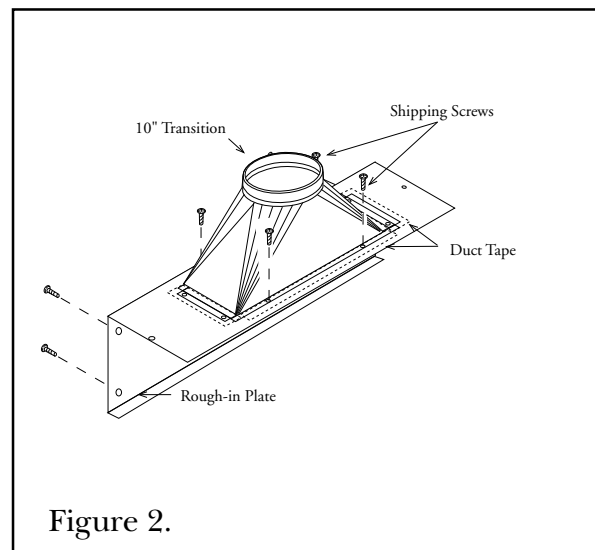


Figure 2.

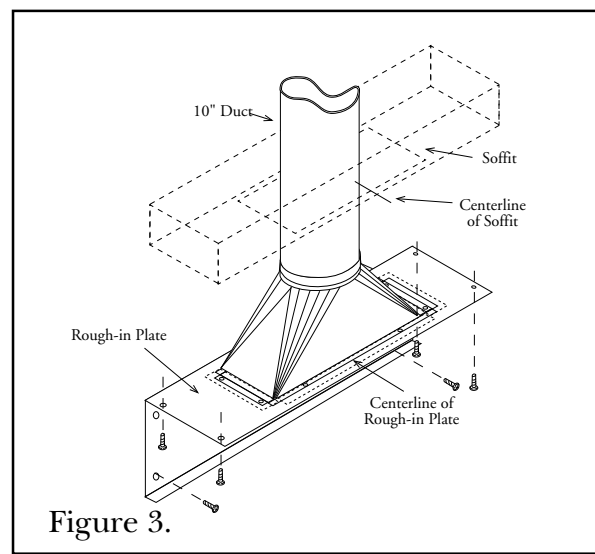


Figure 3.

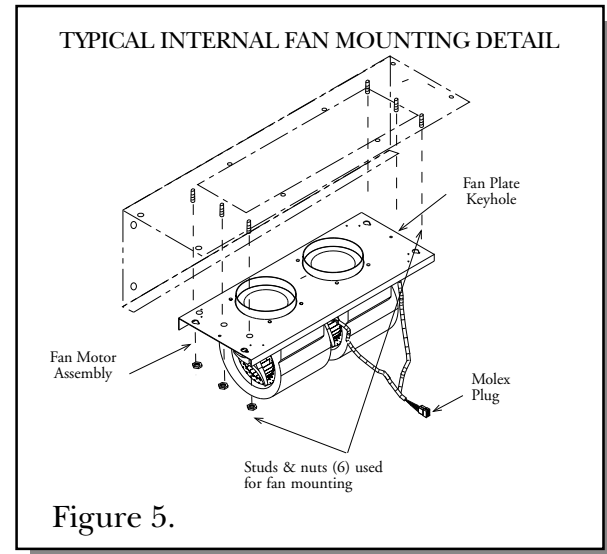
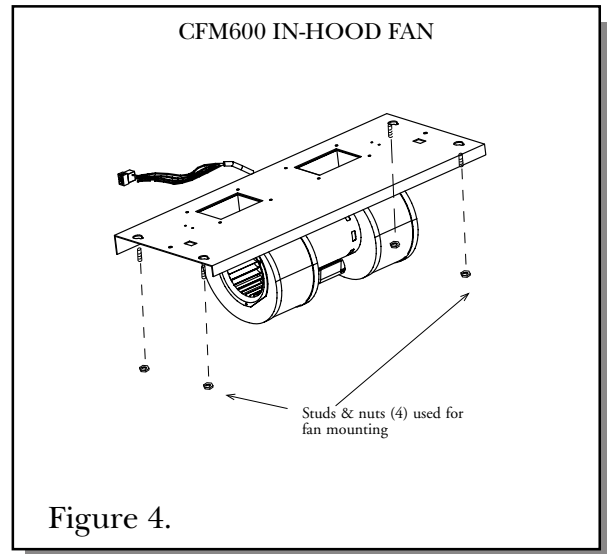


## STEP 2. MOUNTING THE IN-HOOD FAN

Independent installs the CFM600 in-hood fan at the factory in models LP and LPHL

Instructions for mounting CFM300, CFM600 and CFM1200 fans into Independent wall hoods.

1. Install the fan by aligning the holes on the fan to the weld studs on the rough-in plate. Tighten the fan to the plate using the hex nuts provided. (See Figure 4.)
2. Plug the "Molex" plug on the fan to the "Molex" plug on the hood. (See Figure 4.)

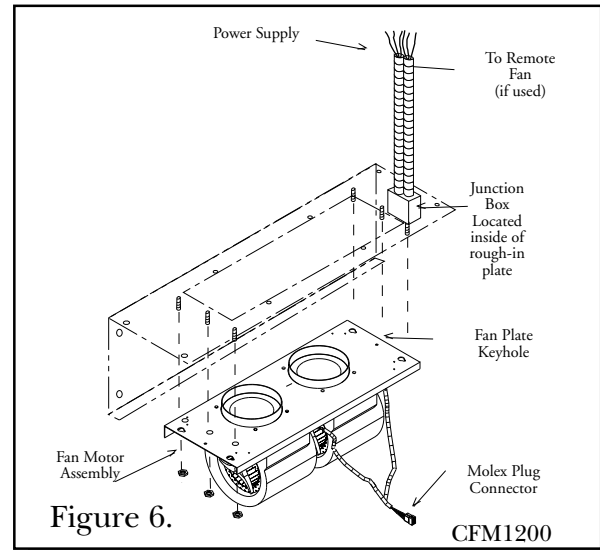


## STEP 3. DUCTING CONNECTION

1. For in-hood fans, use 10" round-duct from the transition (provided).
2. For remote fans, use 10" round-duct from the transition (provided) to the remote fan.
3. The length of ducting should be as short and straight as possible for best performance of fan. SEAL ALL JOINTS WITH DUCT TAPE.

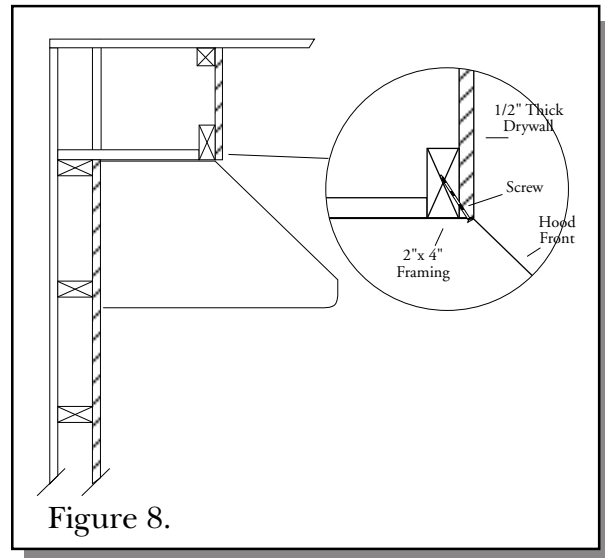
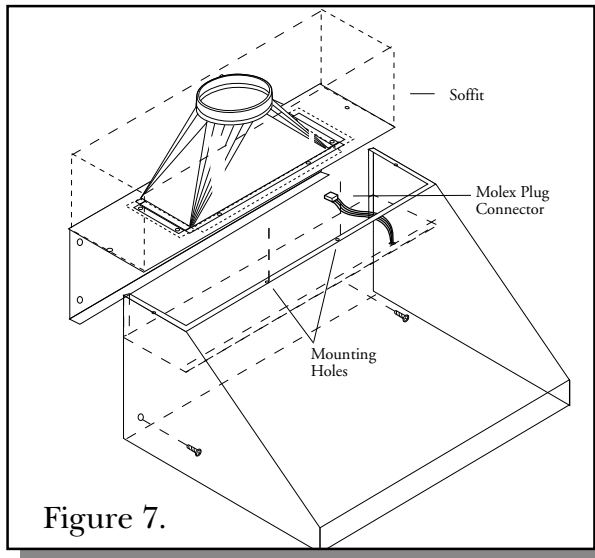
## STEP 4. ELECTRICAL CONNECTION

1. Install three wires: black, white and green (#16 AWG) in 1/2" conduit from the service panel to the hood junction box. Power supply must be rated for 120v, 60Hz, 15 amps (minimum).
2. Remove junction box and selected knockout. Then install the strain relief (conduit) connector in the rough-in plate hole.
3. Remove the junction box from the rough-in plate. Connect black wire to power supply black wire, white wire to power supply white wire, and green wire to power supply green wire.
4. Place all wiring connectors inside junction box and re-install on rough-in plate.



## STEP 5. INSTALLATION OF HOOD UNIT

1. Install the hood unit to the rough-in plate by aligning the weld studs on the rough-in plate with the slotted holes on the back of the hood unit. (See Figure 7.)
2. Using the hex nuts provided, secure the hood assembly to the rough-in plate.
3. If using internal fans CFM300, CFM600 or CFM1200, plug the fan Molex plug into mating hood Molex plug.
4. Install the remaining #10 x 1" screws into the lower section of hood. (See Figure 7, and front area of hood Figure 8.)



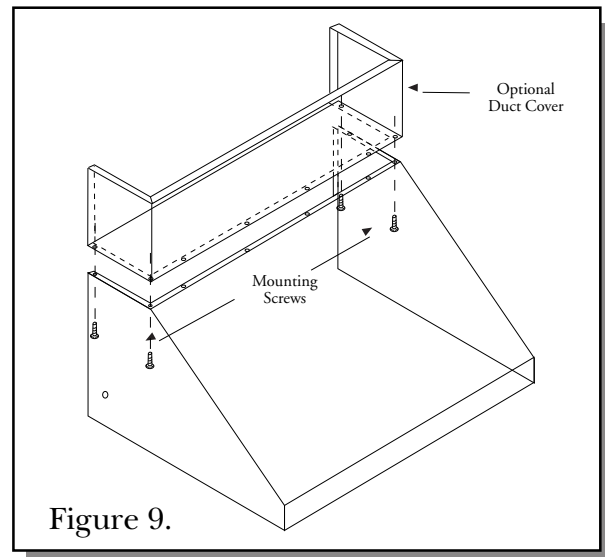
## OPTIONAL DUCT COVER

1. Install the hood as described in "Hood Rough-In Plate Mount"

Note: Be sure to allow enough room for duct cover width on the top section of the rough-in plate.

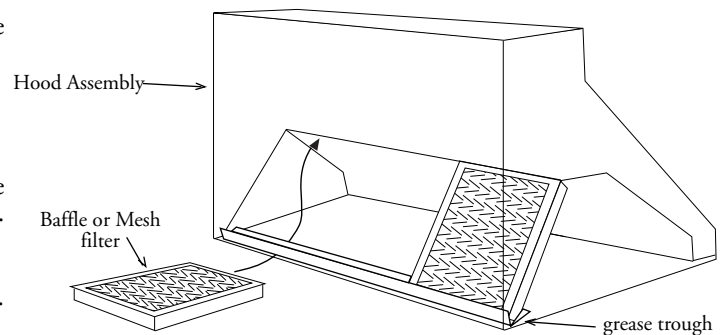
2. Slide Duct Cover into opening.
3. Attach Duct Cover from the inside of the hood through filter opening using the screws provided. (See figure 9.)

Note: Do not completely tighten screws until all components have been installed. At this point, check the alignment of the duct to the hood. First tighten the four corners to secure the duct, then tighten the remaining screws.

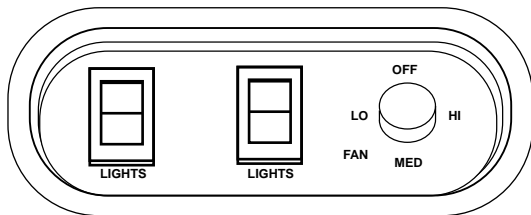


# INSTALLATION OF GREASE TROUGHS, FILTERS, LAMPS

1. Grease trough location is on the underside (bottom), rear area of hood.
2. In the center of the space provided for the filters, insert one filter on the top ledge and pull back until the bottom of the filter slips into bottom ledge.
3. Slide the filter to one side.
4. Install the next filter by repeating step 2. There will be some side-to-side and front-to-back tension as the filters line up.
5. Install halogen bulbs. Use R20 size, 50 watt maximum, narrow flood light bulbs only (purchased separately).



## USE AND CARE



### CONTROLS

Always turn the hood on before cooking to establish an air flow in the kitchen. Allow the fan to operate for a few minutes to clear the air after you turn the range off. This will help keep the entire kitchen smoke free and fresher smelling.

### FAN

The fan is controlled by a multi-speed switch. Printed speeds on the control panel correspond with fan speed.

### COOKTOP LIGHTING

The halogen lights are controlled with two (ambient and brilliant) switches. The lights can be turned on individually or simultaneously. To use the lights on brilliant setting, push the switch up. For ambient setting, push the switch down.

USE ONLY R20 SIZE, HALOGEN 50 WATT BULBS

### FILTERS

Wash filters frequently either in a detergent solution, or by placing them in your dishwasher.

Replacement filters may be purchased from your dealer.

### COOKTOP LIGHTING

The halogen lights are controlled individually by the rocker switches located near the fan control.

### CLEANING

Do not allow excessive grease to accumulate. Refer to Cleaning Recommendations on last page for suggestions on cleaning metals and finishes.

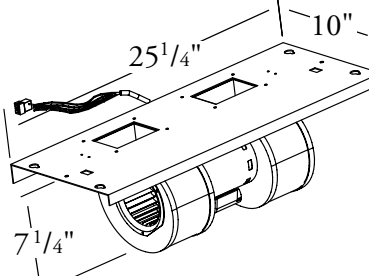
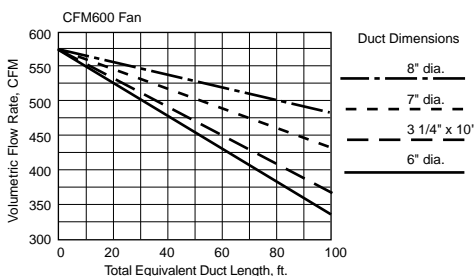
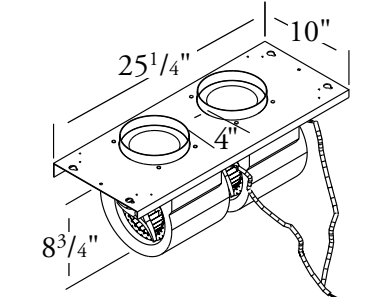
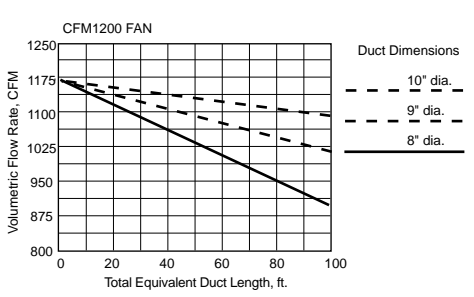
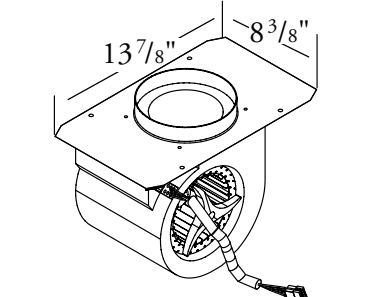
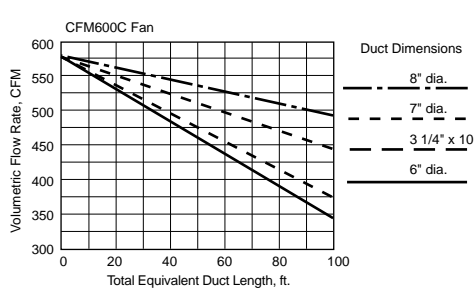
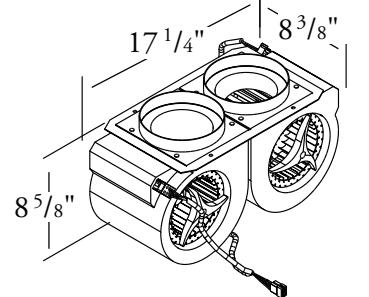
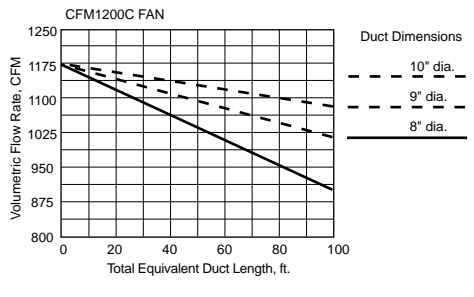
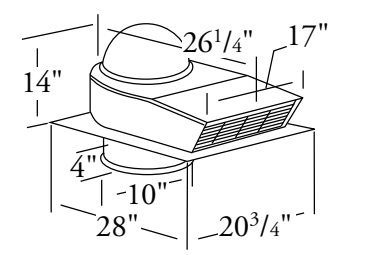
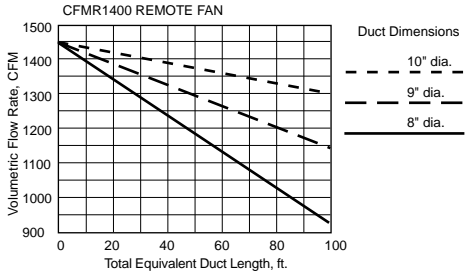
**DO NOT USE ABRASIVE CLOTH, STEEL WOOL PADS, OR SCOURING POWDERS.**

Vacuum fan to eliminate collected dust and particles. Do not immerse fan in water.

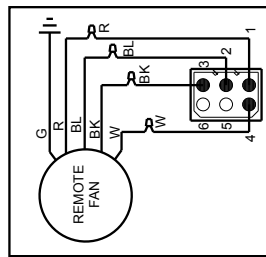
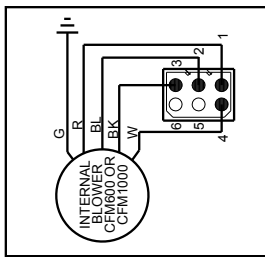
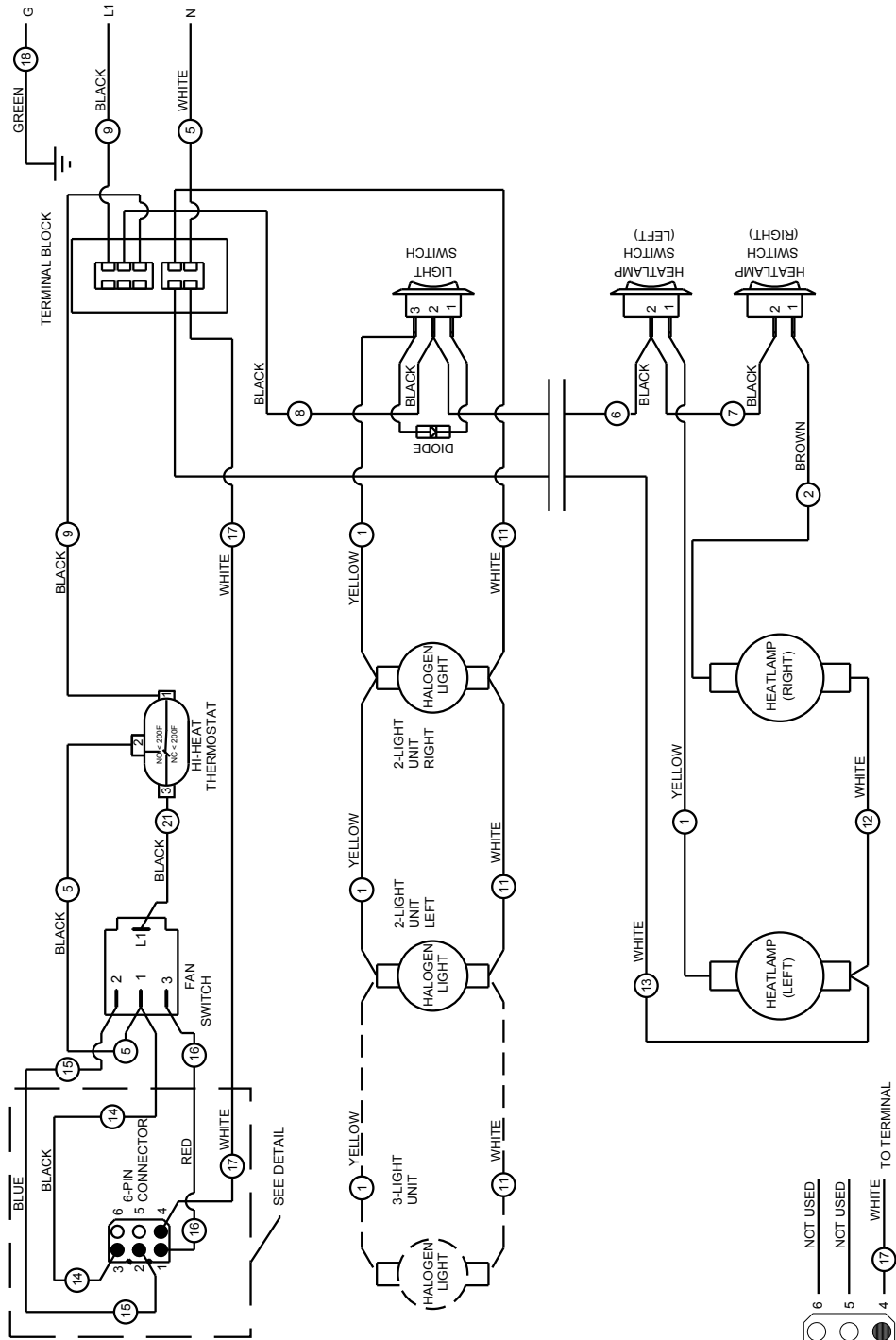
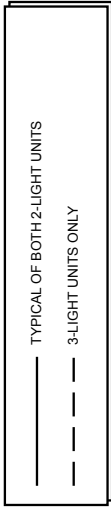
### REPLACEMENT PARTS

For purchasing replacement parts, contact your dealer.

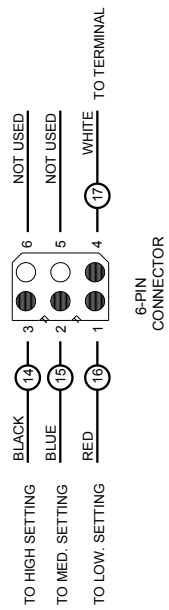
# IN-HOOD & REMOTE FANS

MODEL	VOLUMETRIC FLOW RATE FOR EQUIVALENT DUCT LENGTHS	APPLICATION
<p><b>CFM600 IN-HOOD FAN</b></p> 		<p><b>Maximum CFM: 600</b>  <b>Electrical Motor Rating:</b>                      3.8 Amps @ 115V AC, 60 Hz  <b>Duct Size at Discharge:</b>                      3-1/4" X 16-3/4" X 8" Round Transition  <b>Use with hood series:</b>                      Option for ARMA, ASPEN, BONZ, CMLSS, CONN, CONVX, CRES, CSNO, INCL, INHL, LOUV, LP, LPHL, MLFS, MLSS, PAGO, POND, PINN, PMLSS, SAHA, SNFE 22, SILV, SILH, TAHO.</p>
<p><b>CFM1200 IN-HOOD FAN</b></p> 		<p><b>Maximum CFM: 1200</b>  <b>Electrical Motor Rating:</b>                      8.0 Amps @ 115V AC, 60 Hz  <b>Duct Size at Discharge:</b>                      8" X 21-1/4" X 10" Round Transition  <b>Use with hood series:</b>                      Option for ARMA, ASPEN, BONZ, CONN, CONVX, CRES, CSNO, INCL, INHL, LOUV, MLFS, MLSS, PAGO, POND, PINN, PMLSS, SAHA, SNFE 24 &amp; 27, SILV, SILH, TAHO.</p>
<p><b>CFM600C IN-HOOD FAN</b></p> 		<p><b>Maximum CFM: 600</b>  <b>Electrical Motor Rating:</b>                      4.0 Amps @ 115V AC, 60 Hz  <b>Duct Size at Discharge:</b>                      8-3/4" X 7-3/4" X 8" Round Transition  <b>Use with hood series:</b>                      Option for CHIMNEYS ONLY;                      CHIM, LARE, LARA, SNFE-I, WRAN.</p>
<p><b>CFM1200C IN-HOOD FAN</b></p> 		<p><b>Maximum CFM: 1200</b>  <b>Electrical Motor Rating:</b>                      8.0 Amps @ 115V AC, 60 Hz  <b>Duct Size at Discharge:</b>                      7-7/8" X 13-5/8" X 10" Round Transition  <b>Use with hood series:</b>                      Option for CHIMNEYS ONLY;                      CHIM, LARE, LARA, SNFE-I, WRAN.</p>
<p><b>CFMR1400 REMOTE FAN</b></p> 		<p><b>Maximum CFM: 1400</b>  <b>Electrical Motor Rating:</b>                      12 Amps @ 115V AC, 60 Hz  <b>Duct Size at Discharge:</b>                      10" Round  <b>Use with hood series:</b>                      Option for ARMA, ASPEN, BONZ, CONN, CONVX, CRES, CSNO, INCL, INHL, LOUV, MLFS, MLSS, PAGO, POND, PINN, PMLSS, RECT, SAHA, SNFE, SILV, SILH, TAHO, WRAN.</p>

# WIRING DIAGRAM ISLAND AND WALL HOODS



REMOTE



# CLEANING RECOMMENDATIONS

## **BRUSHED STAINLESS STEEL, HAMMERED STAINLESS, EUROPEAN BLACK STEEL, 1920's ANTIQUATED TIN, MILLENNIUM DISK STAINLESS**

The Brushed Stainless Steel Hood should be cleaned with pre-washed flannel cloths and our recommended "Stainless Steel" cleaner. Always wipe in a manner which follows the grain. **DO NOT** clean with paper towels as they will scratch the surface. Different cleaning cloths other than cotton flannel may scratch the surface of the hood.

## **ANTIQUATED COPPER, ANTIQUATED BRASS**

The Antiquated Copper and Antiquated Brass Hoods should be cleaned twice yearly. Use pre-washed flannel cloths and "S.C. Johnson P-A-S-T-E Wax" available at Lowe's Home Improvement Centers. Gently apply a small amount in a circular motion using very light pressure. Rubbing too hard may result in the removal of the finish. **DO NOT** clean with paper towels as scratches will occur. Cleaning cloths other than cotton flannel may scratch the surface of the hood.

## **MIRRORED STAINLESS STEEL, POWDER COATINGS**

The Mirrored Stainless Steel or Powder Coated Hood should be cleaned with pre-washed flannel cloths and any spray glass cleaner. **DO NOT** clean with paper towels, as they will scratch the surface of the hood. Different cleaning cloths other than cotton flannel may scratch the surface of the hood.

## **MIRRORED COPPER, HAMMERED COPPER, BRUSHED COPPER**

The Copper Hood should be cleaned with pre-washed flannel cloths and "Brite Boy" metal polish. Always wipe in a manner, which follows the grain should a grain pattern exist. **DO NOT** clean with paper towels, as they will scratch the surface. Different cleaning cloths other than cotton flannel may scratch the surface of the hood.

## **PATINA VERDE FINISH**

The Patina Verde Finish should be cleaned with pre-washed flannel cloths and a mixture of "Ivory" liquid detergent and warm water. Gently wipe the surface of the hood in a blotting manner. **DO NOT** use paper towels, as they will scratch the surface of the hood. Rinse in the same fashion. **DO NOT** use ammonia-based cleaning products or any other cleaning products containing strong chemicals or de-greasers. **DO NOT** use glass cleaners or any polishing products.

## **MIRRORED BRASS, HAMMERED BRASS, BRUSHED BRASS**

The Brass Hood should be cleaned with pre-washed flannel cloths and "Brite Boy" metal polish. Always wipe in the manner, which follows the grain should a grain pattern exist.. **DO NOT** clean with paper towels, as they will scratch the surface. Different cleaning cloths other than cotton flannel may scratch the surface of the hood.

## **INTERIOR OF HOOD**

All hoods are fitted with a brushed stainless steel liner. For cleaning, we recommend using pre-washed flannel cloths and "Stainless Steel" cleaner. Always wipe in a manner, which follows the grain. **DO NOT** clean with paper towels, as they will scratch the surface of the hood.

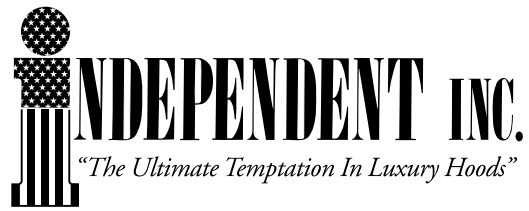
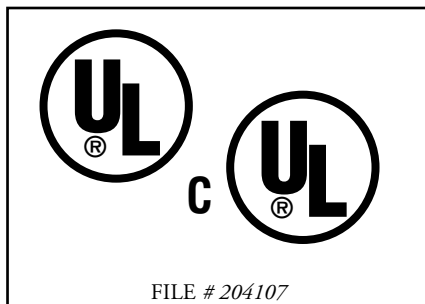
## **BAFFLE FILTERS AND GREASE CUPS**

All Filters and Grease Cups may be cleaned by placing them in your dishwasher. The grease cups should first be cleaned of excess grease with a paper towel, then placed beside the baffle filters in your dishwasher for a thorough cleaning.

"Kleen Glass", "Stainless Steel" and "Brite Boy" cleaner may be purchased directly from Independent, Inc.

*Please call our toll-free number, 1-800-7-NEVADA (800-763-8232), to place your order!*

Independent Inc. reserves the right to change specifications or design without notice. Some models are certified for use in Canada. Independent Inc. is not responsible for products which are transported from the United States for use in Canada. Check with your local Canadian distributor or dealer.



191 Coney Island Drive • Sparks, NV 89431  
800-763-8232

REV 10/2005  
#80109