

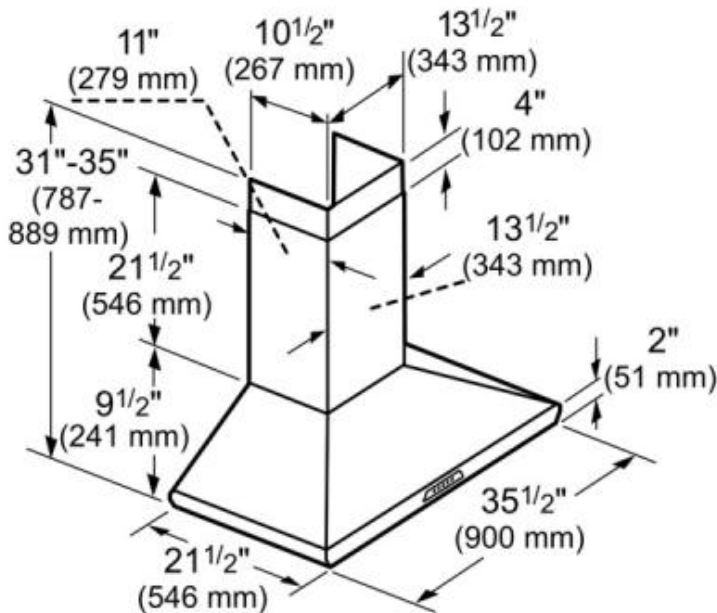


Performance

- 600 CFM Integrated Blower included
- Three fan speeds plus 10 minute high-power operation mode
- Dishwasher safe stainless-frame mesh filters
- Filter systems are highly efficient at capturing grease
- Powerfully quiet ventilation systems
- 6" Round duct size
- Vertical ducting direction
- Telescopic chimney - adjustable at installation
- Hood includes filters, lights, backdraft damper and transition

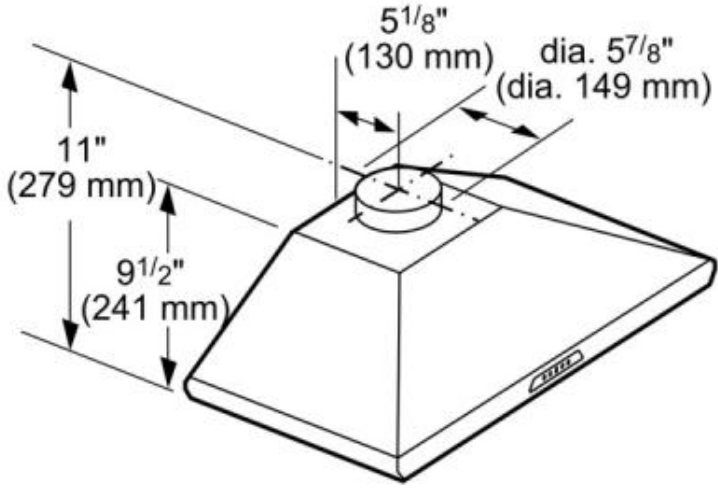
Design

- Brushed stainless steel finish
- Welded, polished seams for a flawless design
- Easy to operate control buttons
- Halogen lighting spotlights your best recipes



measurements in inches and mm

Frequency (Hz)	60
Approval certificates	ETL
Plug type	120V-3 prong
Height of the chimney (in)	21 1/2"-25 1/2"
Net weight (lbs)	48
Gross weight (lbs)	59
Required distance above range/rangetop/cooktop	30"/30"
Diameter of air duct (in) top	6
Operating mode	Ducted
Optional accessories	CHIMXHMC
Number of lights	3
Type of lamps used	Halogen
Total power of the lamps (W)	60
Grease filter material	Washable stainless steel
Grease filter type	Multilayer cassette



measurements in inches and mm