

---

# BERTAZZONI PROFESSIONAL SERIES GAS COOKTOPS



Bertazzoni drop-in gas cooktops bring professional performance and surface cooking convenience together in an elegant solution. Available in 36 and 30 inches sizes, Bertazzoni Pro gas cooktops have the same one-piece, seamless, high-efficiency worktop design that has become the signature of Bertazzoni freestanding ranges. All models are available with burners in cast brass for enhanced performance, with dual zone brass power burner delivering best-in-class heat-up times and maximum flexibility thanks to its wide BTU range.

## DROP IN GAS COOKTOP



Available in 6 brass burners configuration, with the power burner on the front left quadrant, sits 1" above the countertop.

## BRASS POWER BURNER



Bertazzoni's exclusive dual power burner in cast brass delivers high-efficiency performance from delicately low simmer to full power (750 – 18,000 BTUs) with best-in-class heat-up time.

## DROP IN LOW PROFILE GAS COOKTOP (less than 1/6 inch)



Available in 6, 5 and 4 brass burners configuration, with power burner in the center or on the front left quadrant, sits almost flush with the countertop.



THE INTEGRATED KITCHEN

## BERTAZZONI PROFESSIONAL SERIES

36" DROP-IN GAS COOKTOP 6-BURNERS

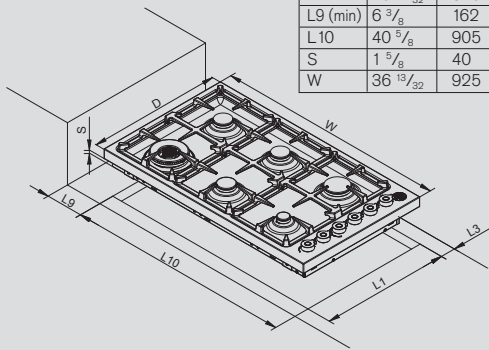
**Cooktop 36"**  
DB36 6 00 X

### Cooking zones

|                         |                         |
|-------------------------|-------------------------|
| Brass Burners           | 6                       |
| Dual wok                | 750-18000 Btu/h         |
| Rapid                   | 11000 Btu/h             |
| Semi-rapid              | 6200 Btu/h              |
| Auxiliary               | 750-3400 Btu/h          |
| Electrical Requirements | 120V 60Hz               |
| Max. Amp Usage          | 1 Amp                   |
| Certification           | CSA                     |
| Warranty                | 2 years parts and labor |

Comes with simmer ring (408077), wok ring (408084)  
Optional: stainless steel griddle (SG36X)

| Rif.     | Dim.                             |     |
|----------|----------------------------------|-----|
|          | Inches                           | mm  |
| L3 (min) | 2 <sup>3</sup> / <sub>16</sub>   | 55  |
| D        | 21 <sup>1</sup> / <sub>4</sub>   | 540 |
| L1       | 20 <sup>15</sup> / <sub>32</sub> | 520 |
| L9 (min) | 6 <sup>3</sup> / <sub>8</sub>    | 162 |
| L10      | 40 <sup>5</sup> / <sub>8</sub>   | 905 |
| S        | 1 <sup>5</sup> / <sub>8</sub>    | 40  |
| W        | 36 <sup>13</sup> / <sub>32</sub> | 925 |



## BERTAZZONI PROFESSIONAL SERIES

36" DROP-IN GAS COOKTOP 6-BURNERS  
(LOW PROFILE BORDERS: LESS THAN 1/6 INCH)

**Cooktop 36"**  
QB36 6 00 X

### Cooking zones

|                         |                         |
|-------------------------|-------------------------|
| Brass Burners           | 6                       |
| Dual wok                | 750-18000 Btu/h         |
| Rapid                   | 11000 Btu/h             |
| Semi-rapid              | 6200 Btu/h              |
| Auxiliary               | 750-3400 Btu/h          |
| Electrical Requirements | 120V 60Hz               |
| Max. Amp Usage          | 1 Amp                   |
| Certification           | CSA                     |
| Warranty                | 2 years parts and labor |

Comes with simmer ring (408077), wok ring (408084)  
Optional: stainless steel griddle (SG36X)

## BERTAZZONI PROFESSIONAL SERIES

36" DROP-IN GAS COOKTOP 5-BURNERS  
(LOW PROFILE BORDERS: LESS THAN 1/6 INCH)

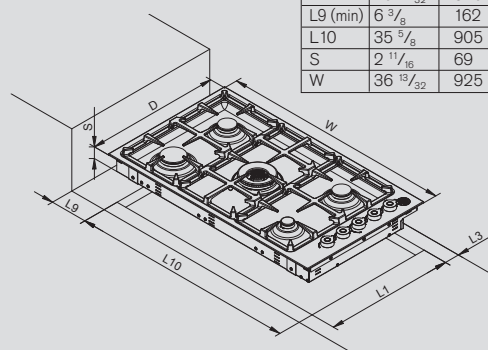
**Cooktop 36"**  
QB36 5 00 X

### Cooking zones

|                         |                         |
|-------------------------|-------------------------|
| Brass Burners           | 5                       |
| Dual wok                | 750-18000 Btu/h         |
| Rapid                   | 11000 Btu/h             |
| Semi-rapid              | 6200 Btu/h              |
| Auxiliary               | 750-3400 Btu/h          |
| Electrical Requirements | 120V 60Hz               |
| Max. Amp Usage          | 1 Amp                   |
| Certification           | CSA                     |
| Warranty                | 2 years parts and labor |

Comes with simmer ring (408077), wok ring (408084)

| Rif.     | Dim.                             |     |
|----------|----------------------------------|-----|
|          | Inches                           | mm  |
| L3 (min) | 2 <sup>3</sup> / <sub>16</sub>   | 55  |
| D        | 20 <sup>15</sup> / <sub>32</sub> | 540 |
| L1       | 20 <sup>15</sup> / <sub>32</sub> | 520 |
| L9 (min) | 6 <sup>3</sup> / <sub>8</sub>    | 162 |
| L10      | 35 <sup>5</sup> / <sub>8</sub>   | 905 |
| S        | 2 <sup>11</sup> / <sub>16</sub>  | 69  |
| W        | 36 <sup>13</sup> / <sub>32</sub> | 925 |



## BERTAZZONI PROFESSIONAL SERIES

30" DROP-IN COOKTOP 4-BURNERS  
(LOW PROFILE BORDERS: LESS THAN 1/6 INCH)

**Cooktop 30"**  
QB30 4 00 X

### Cooking zones

|                         |                         |
|-------------------------|-------------------------|
| Brass Burners           | 4                       |
| Dual wok                | 750-18000 Btu/h         |
| Rapid                   | 11000 Btu/h             |
| Semi-rapid              | 6200 Btu/h              |
| Auxiliary               | 750-3400 Btu/h          |
| Electrical Requirements | 120V 60Hz               |
| Max. Amp Usage          | 1 Amp                   |
| Certification           | CSA                     |
| Warranty                | 2 years parts and labor |

Comes with simmer ring (408077), wok ring (408084)

| Rif.     | Dim.                             |     |
|----------|----------------------------------|-----|
|          | Inches                           | mm  |
| L3 (min) | 2 <sup>3</sup> / <sub>16</sub>   | 55  |
| D        | 21 <sup>1</sup> / <sub>4</sub>   | 540 |
| L1       | 20 <sup>4</sup> / <sub>8</sub>   | 520 |
| L9 (min) | 6 <sup>3</sup> / <sub>8</sub>    | 162 |
| L10      | 28 <sup>15</sup> / <sub>16</sub> | 735 |
| S        | 2 <sup>11</sup> / <sub>16</sub>  | 69  |
| W        | 29 <sup>7</sup> / <sub>16</sub>  | 748 |

