

# JT1000SF

## GE® 30" Built-In Single Wall Oven

### Dimensions and Installation Information (in inches)

Most 30" Wall Cabinets can be used with this unit.

**Note: These ovens are not approved for stackable installations.** Cabinets installed adjacent to wall ovens must have an adhesion spec of at least a 194°F temperature rating.

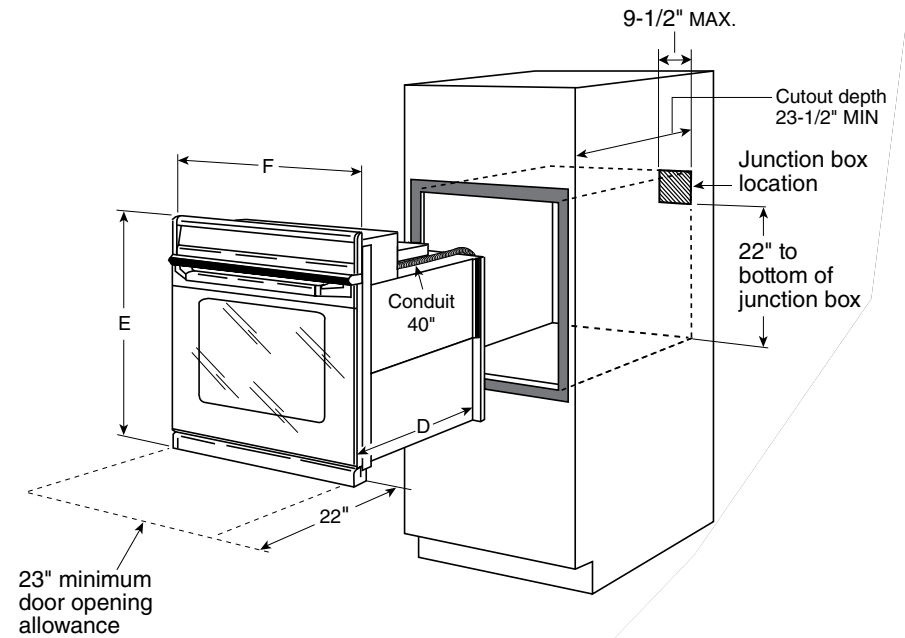
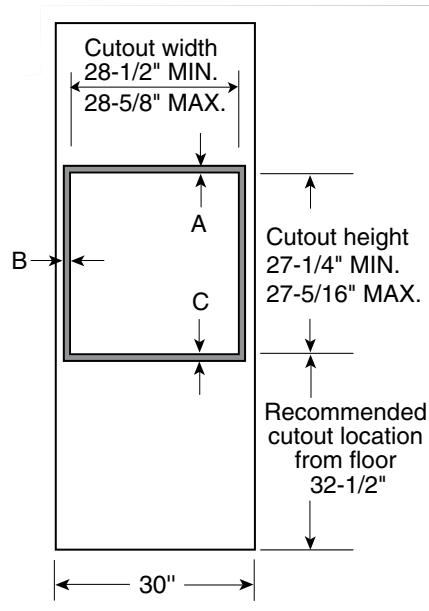
Door handle protrudes 3" from door face. Cabinets and drawers on adjacent 45° and 90° walls should be placed to avoid interference with the handle.

**Electric wall ovens are not approved for installation with a plug and receptacle. They must be hard wired in accordance with installation instructions.**

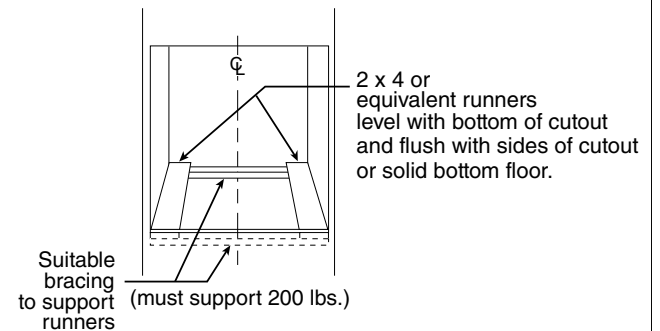
**Installation Information:** Before installing, consult installation instructions packed with product for current dimensional data.

Side-by-side installations require at least 2" between cutouts.

KW Rating	
240V	4.2
208V	3.2
Breaker Size	
240V	20 Amps
208V	20 Amps



	JT1000
<b>Cabinet</b>	<b>30"</b>
A – Overlap of oven at top of cutout	1"
B – Overlap of oven over side of edges of cutout	3/4"
C – Overlap of oven at bottom of cutout	1-1/4"
<b>Oven</b>	
D – Overall depth with handle	27-3/16"
E – Overall height with trim	28-3/8"
F – Overall width	29-3/4"



For answers to your Monogram® or GE appliance questions, visit our website at [geappliances.com](http://geappliances.com) or call GE Answer Center® service, 800.626.2000.



\*ADA qualified based on Uniform Federal Accessibility Standards



Specification Created 2/13

320232

# JT1000SF

## GE® 30" Built-In Single Wall Oven

### Optional Undercounter Dimensions and Installation Information

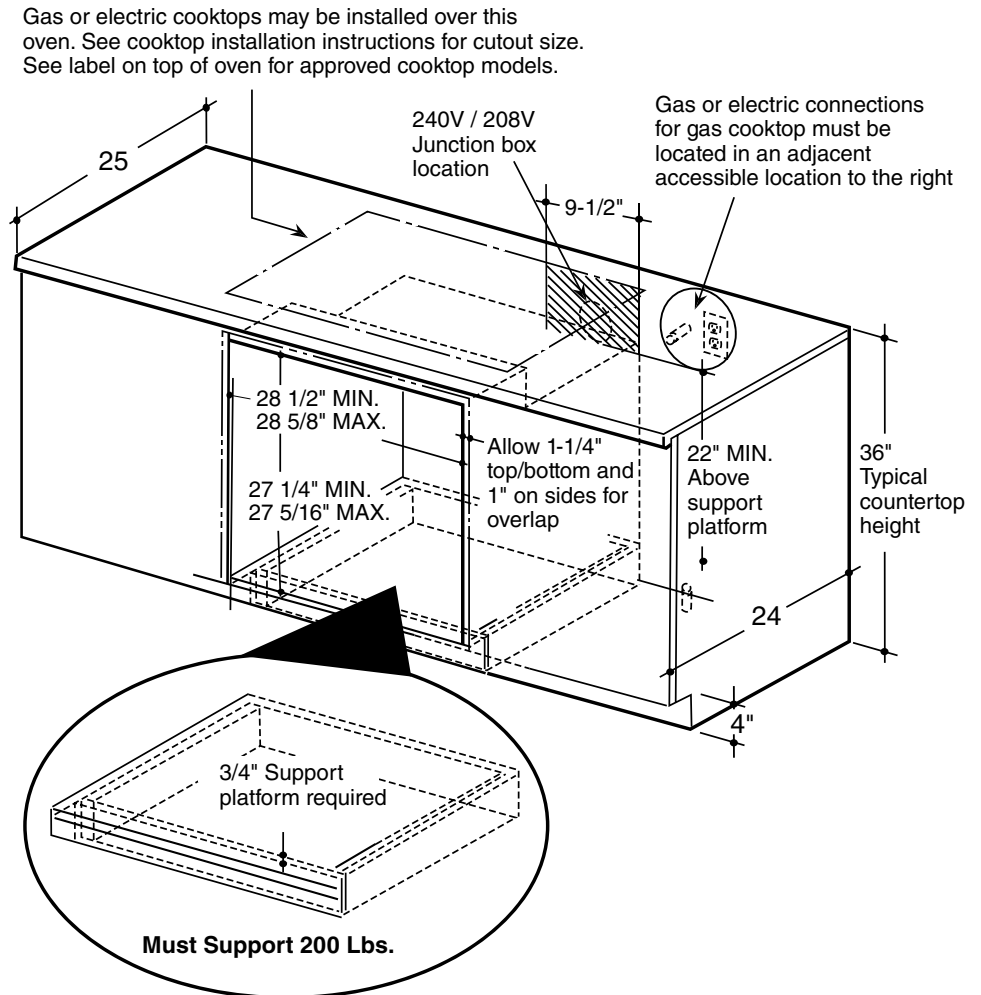
**Note:** 36" ribbon cooktop are approved for use over GE 30" single wall ovens and warming drawers. 30" ribbon cooktops are approved for use over 30" and GE 27" single wall ovens and warming drawers. Refer to cooktop and wall oven installation information packed with products for current dimensional data.

**Note:** Door handle protrudes 3" from door face. Cabinets and drawers on adjacent 45° and 90° walls should be placed to avoid interference with the handle.

**Installation information:** Before installing, consult installation instructions packed with products for current dimensional data and for alternate installation options.

**Electric wall ovens are not approved for installation with a plug and receptacle. They must be hard wired in accordance with installation instructions.**

Dimension and installation information are shown in inches.



imagination at work

For answers to your Monogram® or GE appliance questions, visit our website at [geappliances.com](http://geappliances.com) or call GE Answer Center® service, 800.626.2000.



\*ADA qualified based on Uniform Federal Accessibility Standards



Listed by Underwriters Laboratories



Specification Created 2/13

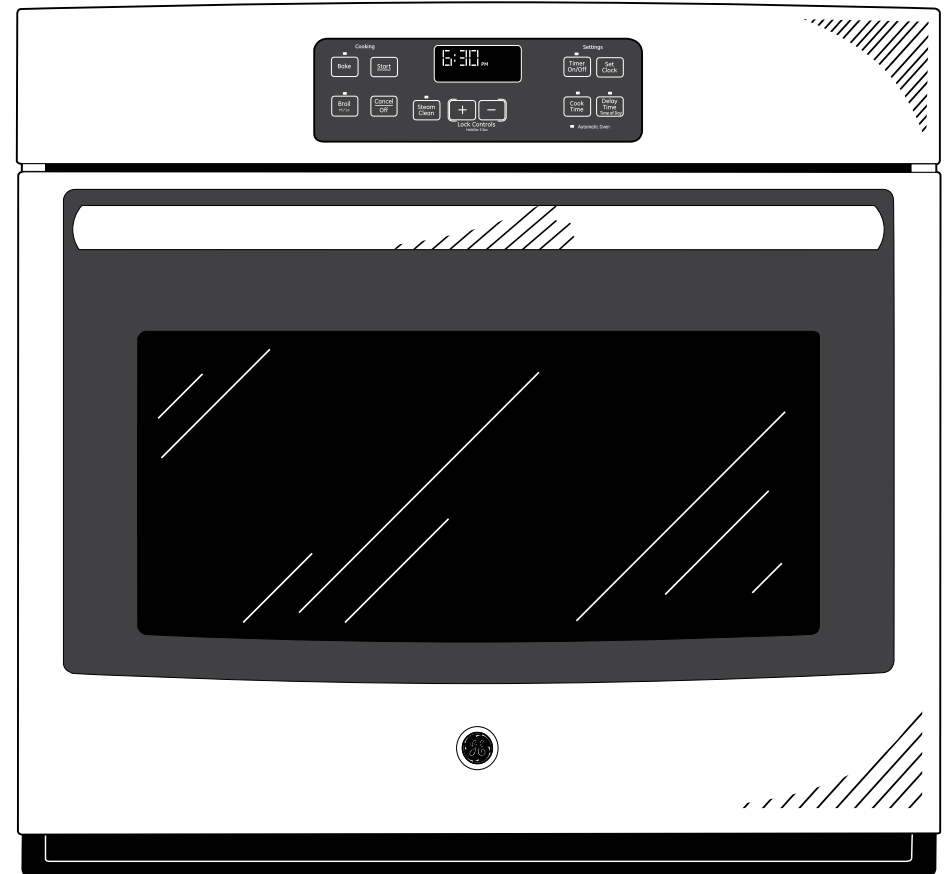
320232

# JT1000SF

## GE® 30" Built-In Single Wall Oven

### Features and Benefits

- 5.0 cu. ft. Oven Capacity - Cook more dishes at once
- Standard Clean with Steam Clean Option - Easily wipe down loosened, baked-on foods
- Ten-Pass Bake Element - Even baking is assured with heat that covers more surface area
- Eight-Pass Broil Element - Get full broil coverage and even browning from edge to edge
- Black Gloss Oven Interior - Enjoy a clean and sleek appearance
- Electronic Touch Controls - Confidently operate the oven with one easy touch
- Hidden Bake - Make cleanup easy by eliminating hard-to-reach areas
- Audible Preheat Signal - Know when the oven is ready
- Heavy-Duty Oven Racks - Bake confidently with durable racks
- Certified Sabbath Mode - Prepare foods by kosher standards
- Model JT1000SFSS - Stainless steel



imagination at work