

GLDA690FWW/GLDA690FBB/GLDA696FSS GE® Stainless Steel Interior Dishwasher with Front Controls

Dimensions and Installation Information (in inches)

Electrical Rating

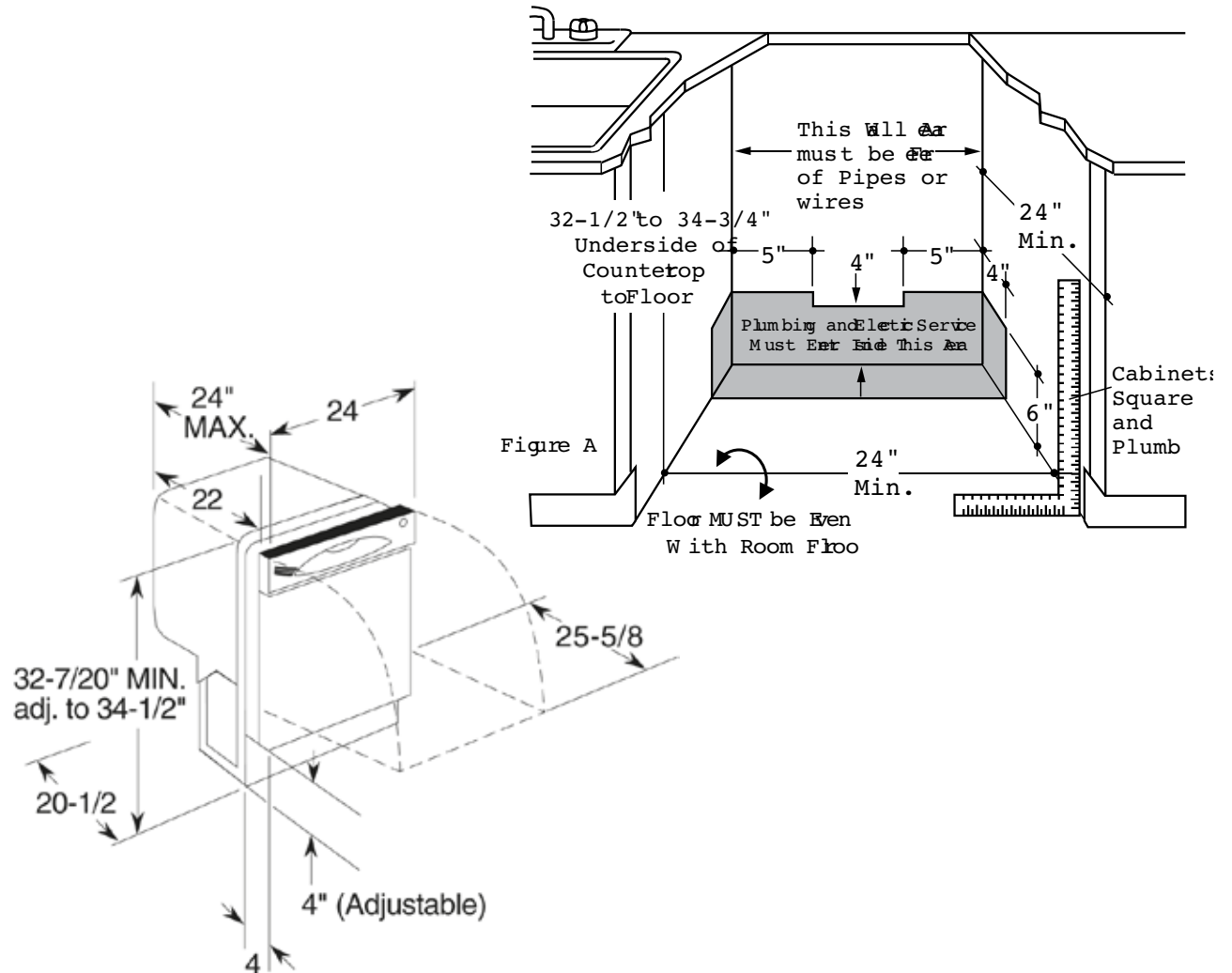
Voltage AC.....	120
Hertz.....	60
Total connected load amperage.....	6.7
Calrod® heater watts max.....	650

For use on adequately wired 120-volt, 15-amp circuit having 2-wire service with a separate ground wire. This appliance must be grounded for safe operation.

Note: The rough cabinet opening must be at least 24" deep, 24" wide and approximately 34-1/2" high from floor to underside of the countertop. Dishwasher must not be installed more than 10 feet from sink for proper drainage. All plumbing and electrical work must be in accordance with local codes. The power cord and connections must comply with the National Electrical Code Section 422 and/or local codes and ordinances. The cord must be no longer than 6 ft. from the junction box to the receptacle.

Installation Information: Before installing, consult installation instructions packed with product for current dimensional data.

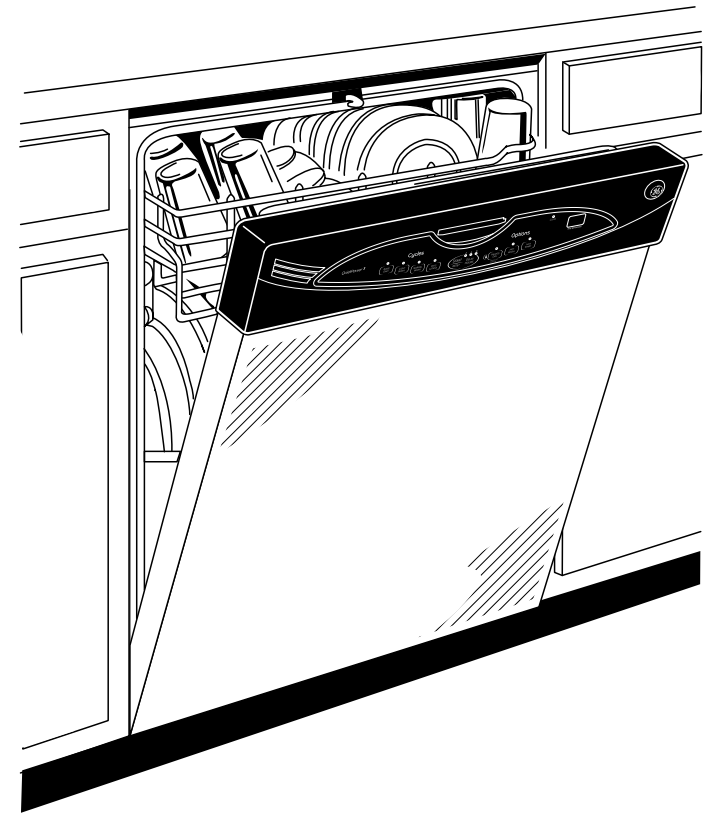
For answers to your Monogram® Cafe™ Series, Profile™ Series or GE® appliance questions, visit our website at geappliances.com or call GE Answer Center® service, 800.626.2000.



GLDA690FWW/GLDA690FBB/GLDA696FSS GE® Stainless Steel Interior Dishwasher with Front Controls

Features and Benefits

- ADA-compliant for height - Designed for easy access and operation
- Bright annealed stainless steel interior - A lustrous finish and lasting beauty that resists stains and corrosion
- 9 electronic touchpads - Provide a smooth, easy-to-use, easy-to-clean surface
- 2-digit countdown display with 2/4/8-hour Delay Start - Signals remaining cycle time, makes it easier than ever to wash dishes at any hour, taking advantage of reduced energy rates or washing dishes even when the family is asleep
- Electronic controls with 4 cycles/4 options - Make it easy to select a wide range of wash cycles
- Two utility shelves in tiered upper rack with 1 Stem Safe - Adjust easily, provide room to stack items and a secure place to wash delicate stemware
- Deluxe lower rack - Curved tines accommodate stoneware, large plates or broiler pans
- Pots and Pans Cycle - Scours off baked-on food with a wall of water
- Heated dry option - Circulates warm air to quickly and gently dry dishes
- Model GLDA696FSS - Stainless steel (shown)
- Model GLDA696FWW - White on white
- Model GLDA696FBB - Black on black



imagination at work