

PSB9100DF

GE Profile™ Series Advantium® 120V - 27 in. Wall Oven

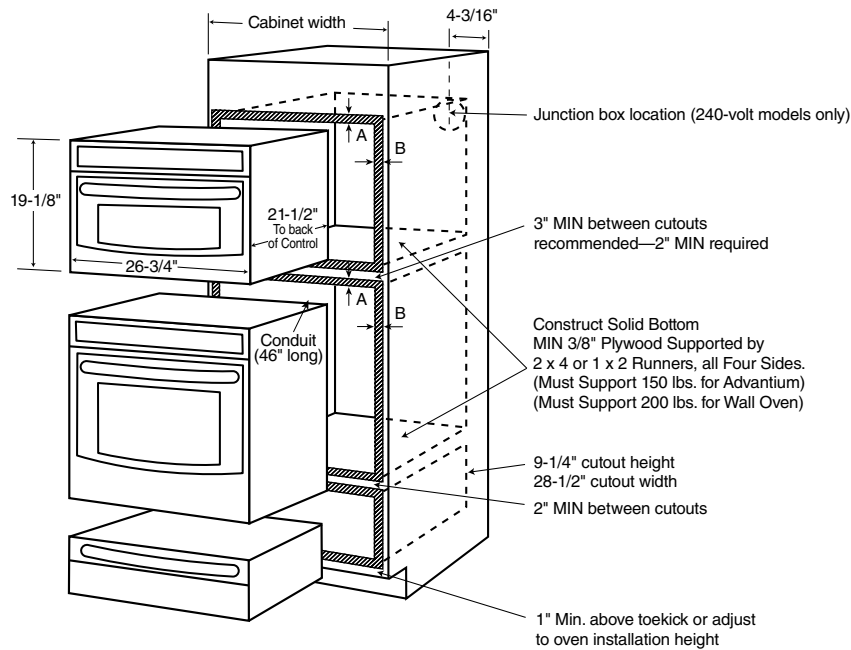
Advantium wall oven/GE Profile™ Series cooking tower dimensions and cabinet installation information (in inches)

Note: Cabinets installed adjacent to wall ovens must have an adhesion spec of at least a 194°F temperature rating.

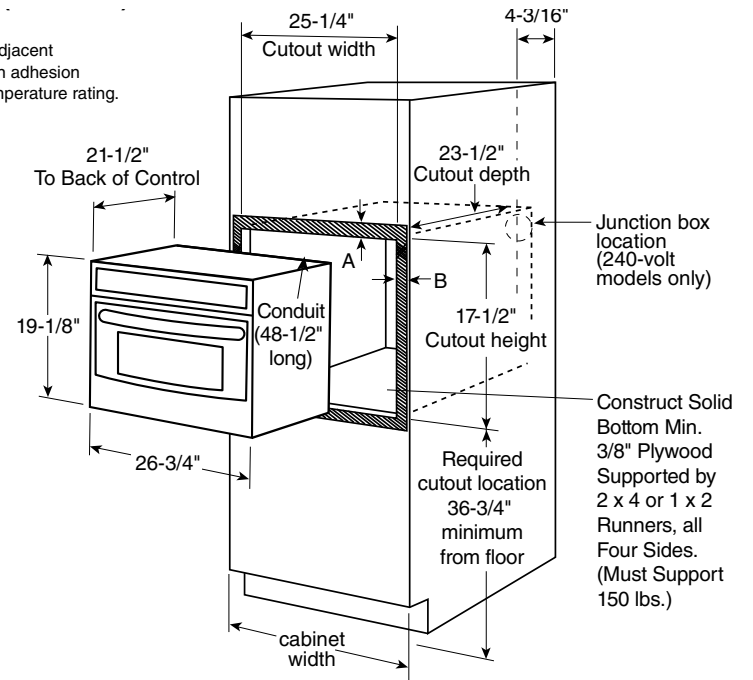
Note: 2" minimum between cutouts when installed above warming drawer or single wall oven.

Installation Information:

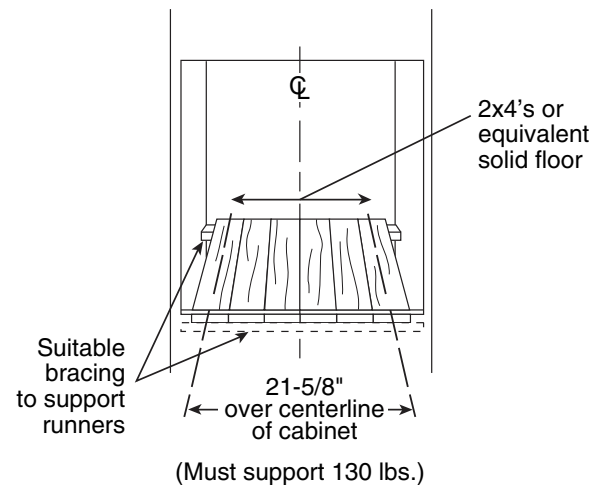
Before installing, consult installation instructions packed with product for current dimensional data.



Note: Cabinets installed adjacent to wall ovens must have an adhesion spec of at least 194° F temperature rating.



A=Allow 1" overlap of oven over bottom edge of cutout.
B=Allow 11/16"-3/4" for overlap of oven over side edges of cutout.



imagination at work

For answers to your Monogram® or GE® appliance questions, visit our website at geappliances.com or call GE Answer Center® service, 800.626.2000.



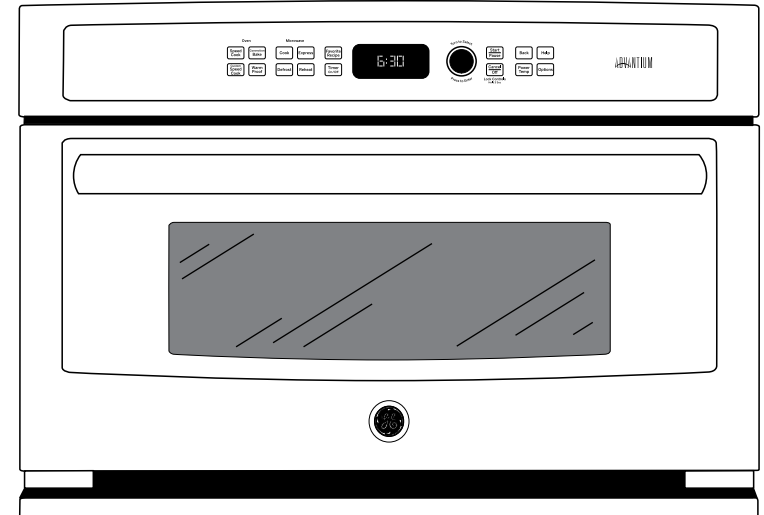
Listed by Underwriters Laboratories

PSB9100DF

GE Profile™ Series Advantium® 120V - 27 in. Wall Oven

Features and Benefits

- Speedcook Technology (120) - Enjoy oven-quality results two to four times faster than a conventional oven
- 4 Ovens-In-1 - Expand your cooking versatility with four ovens in one
- Halogen Heat - Skip the preheating with nearly instantaneous halogen heat
- Over 175 Preprogrammed Recipes - Preprogrammed recipes make meals easy
- Custom Recipe Saver - Conveniently store cooking instructions for up to 30 different recipes
- Model PSB9100DFWW - White on white
- Model PSB9100DFBB - Black on black



imagination at work