

48" Range Wall Hood

Model: DAR 1250



DAR 1250

Features:

- Vented Option only
- Recessed knob controls
- M Pro Stainless Steel
- Dishwasher-safe stainless steel Baffle Filters
- 4 Fan speeds including Intensive
- Hood interior with CleanCover
- LED ClearView lighting
- Auto-Vent safety sensor

SPECIFICATIONS

DAR 1250 — Item 28125050USA

Overall Unit Width	48" (1219mm)
Overall Height without duct cover	18" (457mm)
Overall Unit Depth	24 ¹ / ₁₆ " (611mm)
Minimum distance above rangetop	Please refer to installation manual

Lighting

Number of lights and wattage	4 LED lights @ 2 watts each
------------------------------	-----------------------------

Electrical

Electrical Requirements	120V, 60Hz, 15 Amps
Power Cord	Yes - NEMA 5-15 plug

Shipping

Shipping Weight	125.7 lbs. (57kg)
-----------------	-------------------

Support

Call	800.843.7231
------	--------------

Recommended Combinations		INTERNAL BLOWER		EXTERNAL BLOWER	
		700 CFM DRIB XL	1100 CFM DRIB XXL	700 CFM DREB XL	1100 CFM DREB XXL
30"	DAR 1120 DAR 1220 ²	●		●	
36"	DAR 1130 DAR 1230 ²	● ¹	●	● ¹	●
48"	DAR 1150 DAR 1250		●		●

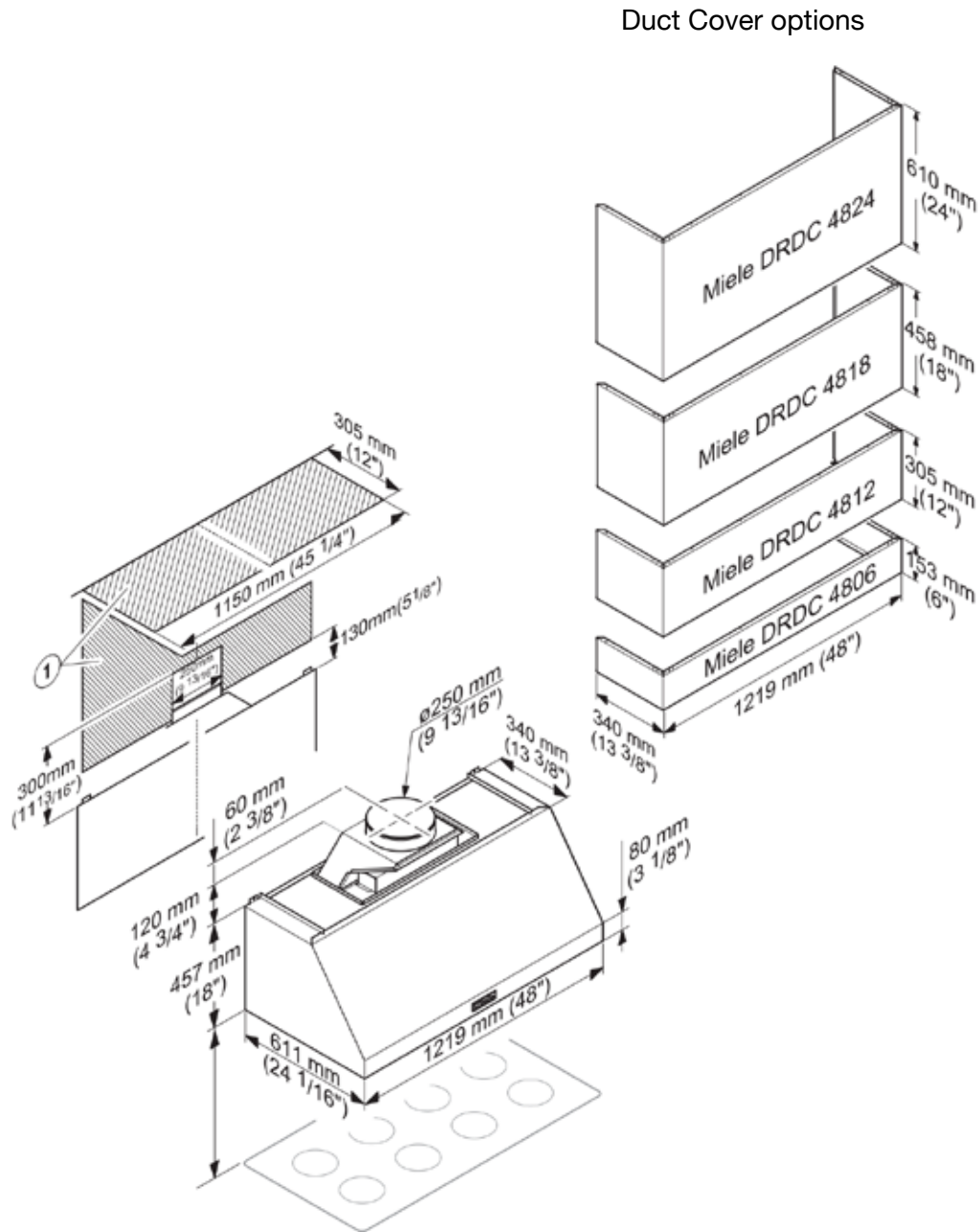
¹Can not be combined with HR 1134 G/LP, HR 1934 DF G/LP, KMR 1134 G/LP

²Recirculating kit can only be used in conjunction with DRIB XL 700 CFM Internal Blower

48" Range Wall Hood Model: DAR 1250



PRODUCT VIEW



① Installation area; Wall/ceiling area respectively for vent hole and outlet installation.