

30" Dual Fuel Range

Model: HR 1924 DF / HR 1924 DF LP



HR 1924 DF / HR 1924 DF LP

Features:

- M Touch controls and backlit knobs
- M Pro dual stacked burner system with TrueSimmer
- ComfortClean dishwasher-safe grates
- TwinPower Convection fans
- 21 Operating modes including Self-Clean
- Moisture Plus
- MasterChef and MasterChef Plus automatic programs
- Wireless Roast Probe
- Soft Close and Soft Open
- Clean Touch Steel™ front

SPECIFICATIONS

HR 1924 DF — Item 25192451USA

HR 1924 DF LP — Item 25192452USA

Overall Unit Width	30" (762mm)
Overall Height	35½" — 37" (901.7 — 939.8mm)
Overall Unit Depth to control panel	26½" (673mm)
Oven Door Clearance	22¾" (577mm)
Niche	
Minimum Cabinet Niche Width	30⅛" + ⅛" (763.5 — 765.1mm)
Minimum Cabinet Opening Height	35½" (901.7mm)
Burners	
Gas Burners:	(1) 12,000 BTU; (3) 19,000 BTU
Electrical	
Electrical Requirements	120V / 240V, 60Hz, 15 Amps 120V / 208V, 60Hz, 15 Amps
Power Cord	Yes - NEMA 14-30 plug, 5.5 ft. (167.6cm) long
Shipping	
Shipping Weight	385.1 lbs (174.7kg)
Support	
Call	800.843.7231
20/20	☎2020technologies.com

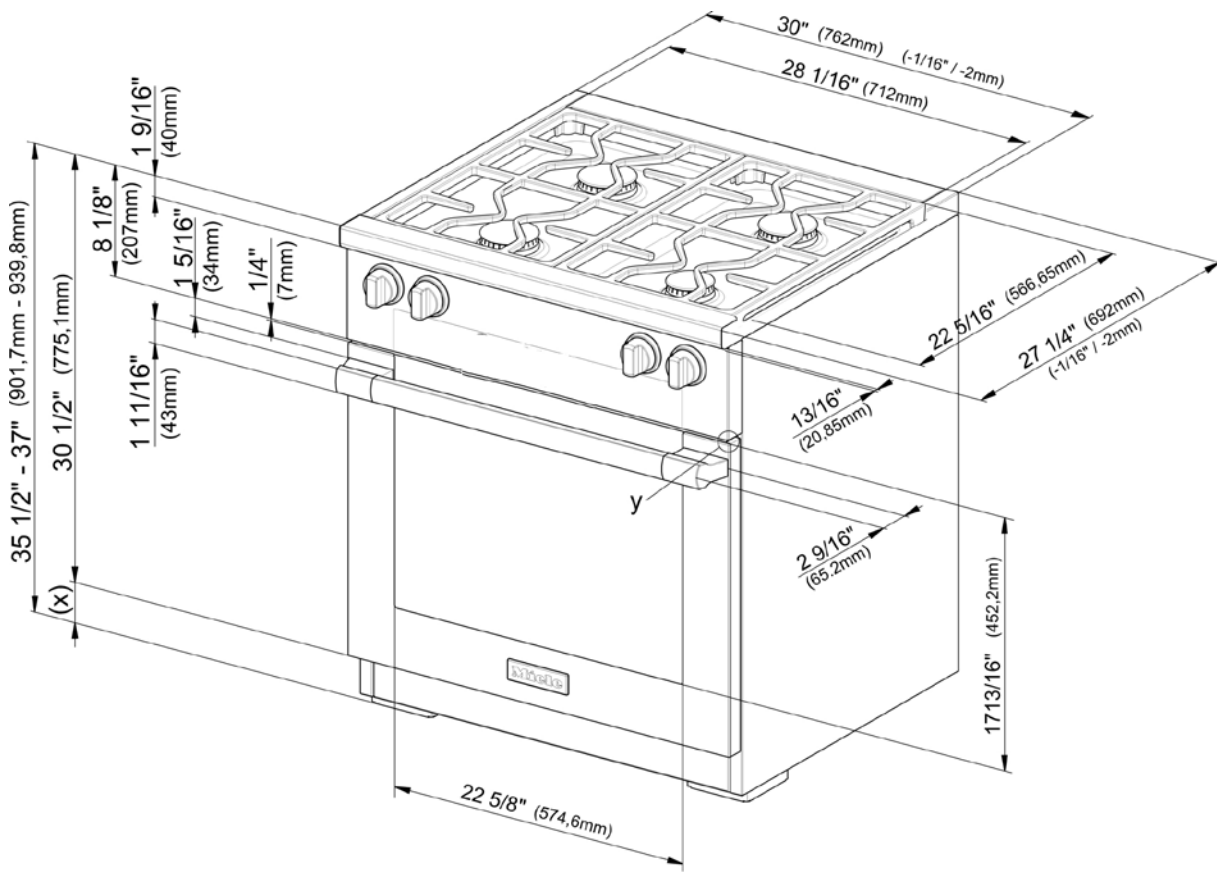
30" Dual Fuel Range

Model: HR 1924 DF / HR 1924 DF LP



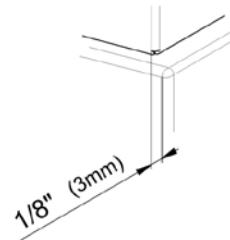
PRODUCT VIEWS

Isometric



(x) = Toe-kick height adjustment 4" - 5 1/2" (101,6mm - 139,7mm)

Detail y:



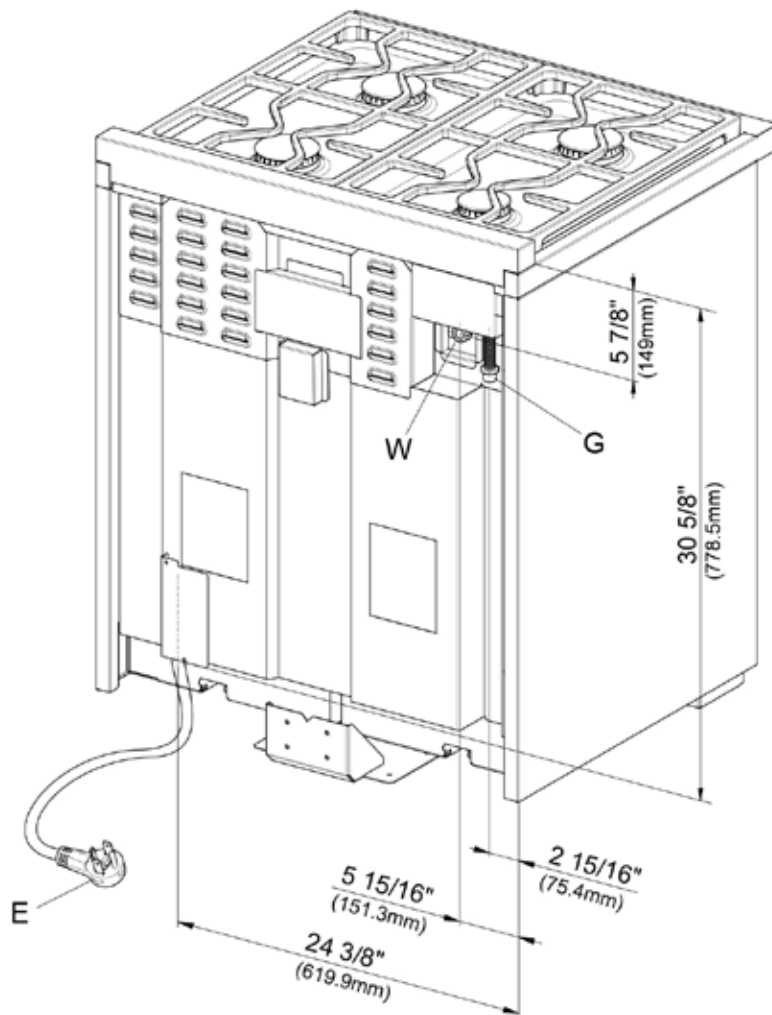
30" Dual Fuel Range

Model: HR 1924 DF / HR 1924 DF LP



PRODUCT VIEWS

Rear View



E = Electrical connection

W = Plumbing

G = Gas connection

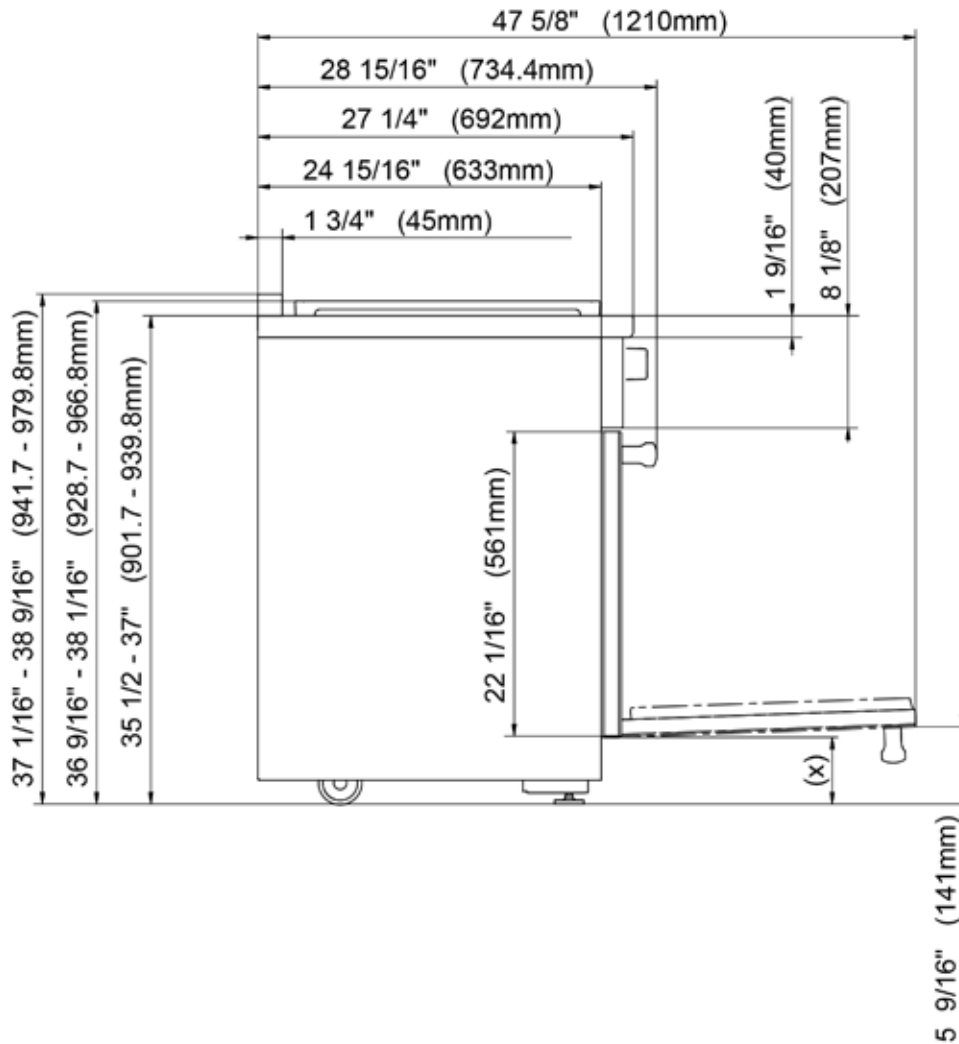
30" Dual Fuel Range

Model: HR 1924 DF / HR 1924 DF LP



PRODUCT VIEWS

Detailed Side View



(x) = Depending on the appliance height adjustment: 4" - 5 1/2" (101.6 mm - 139.7 mm)

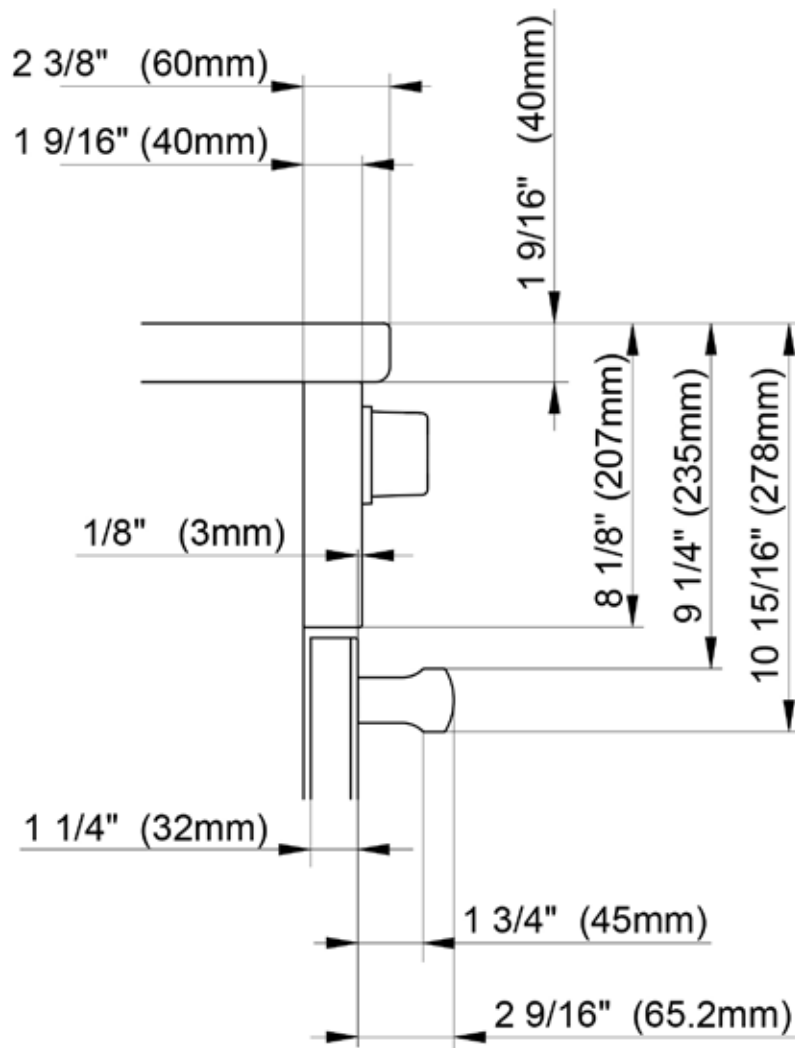
30" Dual Fuel Range

Model: HR 1924 DF / HR 1924 DF LP



PRODUCT VIEWS

Detailed Front Side View



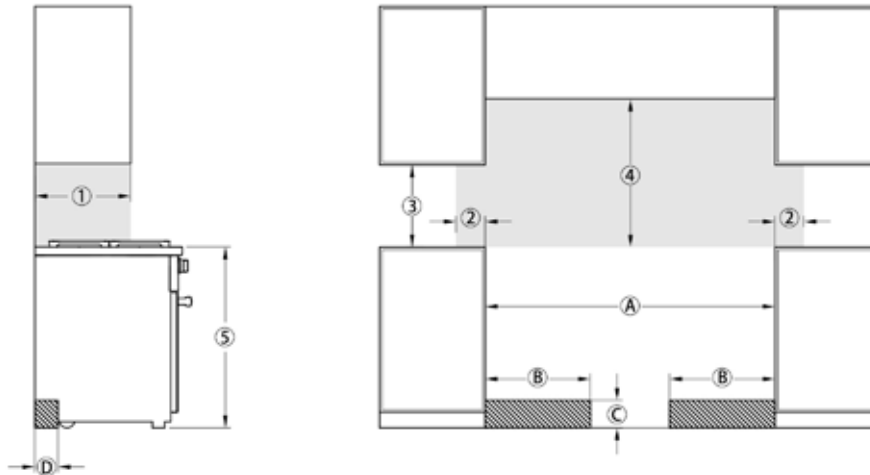
30" Dual Fuel Range

Model: HR 1924 DF / HR 1924 DF LP



PRODUCT VIEWS

Cabinet View



Position	Dimension [inches]	Description
①	13"	Maximum depth of top cabinet
②	6"	Minimum distance (left and right) to flammable surfaces
③	18"	Minimum distance to bottom edge of top cabinet
④	30"	Minimum distance between the top of the cooking area and the bottom of an unprotected wooden or metal cabinet
⑤	35 1/2"–37"	Distance from floor to cooktop surface
Ⓐ	30 1/16" + 1/16"	Niche width
Ⓑ	approx. 10 13/16" (274 mm)	Maximum connection width right and left
Ⓒ	approx. 4 1/2" (115 mm)	Maximum connection height
Ⓓ	approx. 2 13/16" (72 mm)	Maximum depth of connection

The gray areas represent the minimum distance from flammable surfaces.
 The hatched areas represent the installation areas for the connections.
 For island installations, 12" minimum distance from back of range to flammable rear wall above countertop.