

INSTALLATION

CART ASSEMBLY INSTRUCTIONS

IMPORTANT!

Read all instructions before you begin. Do not jump ahead or skip any step.

CAUTION!

Some parts have sharp edges; care must be taken when handling the various components to avoid injury. Please read safety information provided in these instructions before beginning assembly. Wear gloves when handling. Two or more people should work together to assemble the cart and grill head.

Note:

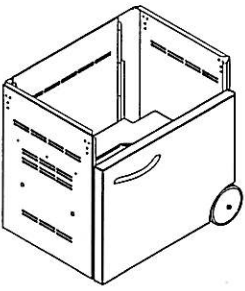
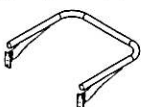
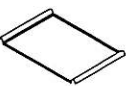

Avoid using side shelf to move cart. Push or pull cart by grasping corners of grill head.



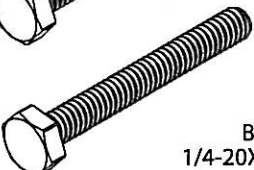


GETTING STARTED

- Remove packaging.
- Remove side shelf and side tray from inside and discard packing.






Contents Included:

Your cart is packaged in one box. The box contains your cart and a universal hardware kit to be used for BGB30-installation and may contain extra hardware for your con-

Contents	Qty.
 30" Grill Cart	1
 Side Shelf	1
 Side Shelf Tray	1
 Instruction	1

Contents	Qty.	30" grill BQR grill venience.
 Machine philip screws 10-24X1/2"	5	
 Bolt 1/4-20X1/2"	5	
 Bolt 1/4-20X2"	1	
 Keps Nut 1/4-20	5	
 Rubber Bumper	5	

Tools Required:

	Eye Goggles
	Work Gloves
	Power Screwdriver or Variable Speed Drill with Phillips -tip #2 Attachment
	10 mm Wrench or Socket
	3/32" Allen Wrench

INSTALLATION

CART ASSEMBLY INSTRUCTIONS

STEP 1

Attach Side Shelf on the Right Side (left side is optional side burner location)

1. Attach shelf to right side of the cart using 1/4-20 nuts and bolts provided [leave out (1) bolt front side as shown below].
2. Do not tighten bolts (finger tight only) until completing Step 4.
3. Install bumpers to the sides of the cart as shown below.

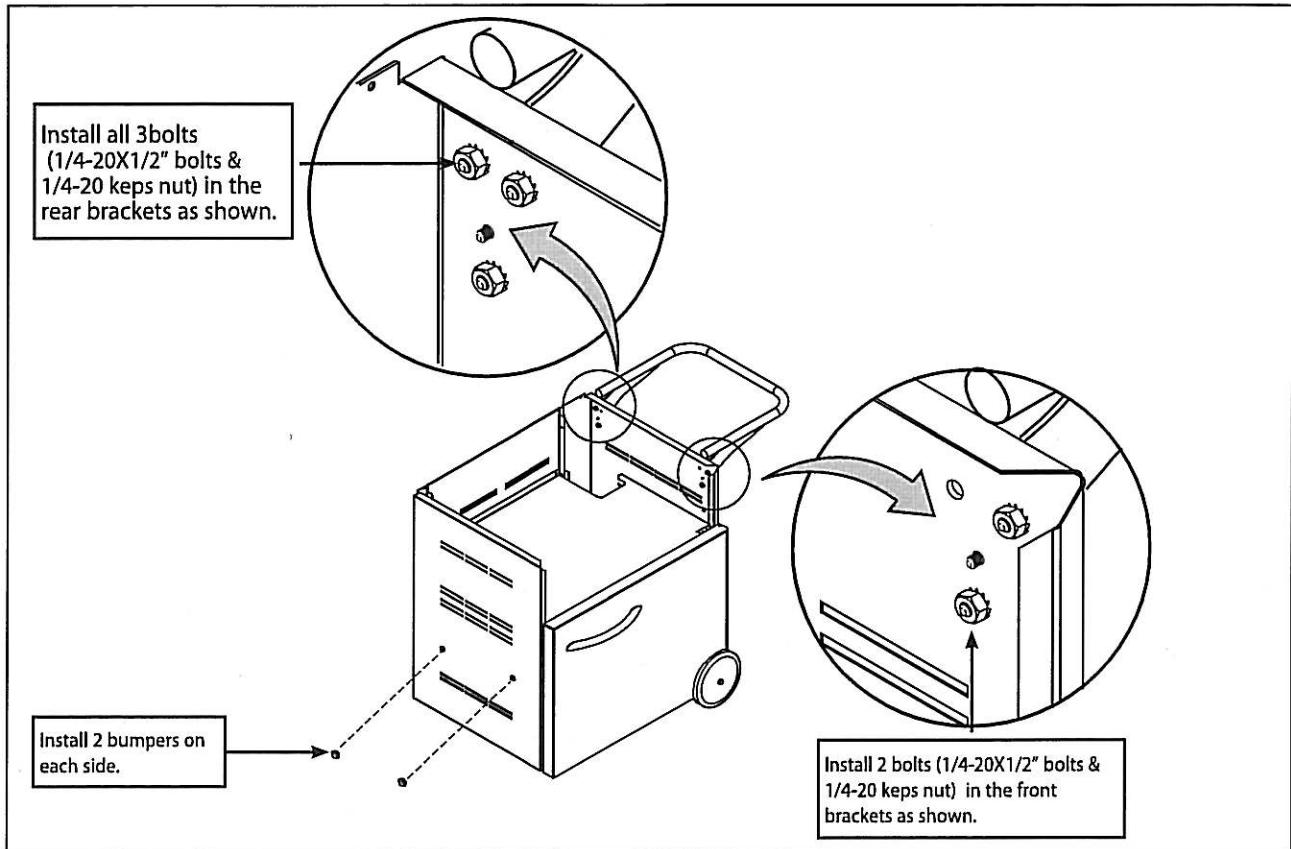


FIG. 07

STEP 2

Grill Placement onto Cart (2 persons required)

1. Remove drip tray/pan for easier han-
2. Slide back.
3. Ease over rear flange.
4. Secure with screws.



FIG. 08 After drip tray/pan is removed, carefully place grill head on cart (2 person minimum).

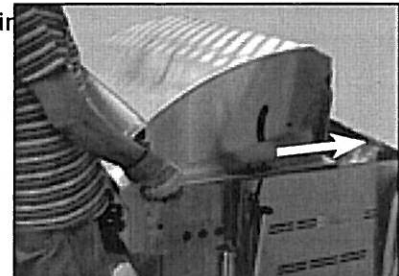


FIG. 09 Once grill rests on cart, slide grill to rear of cart as shown.

INSTALLATION

CART ASSEMBLY INSTRUCTIONS

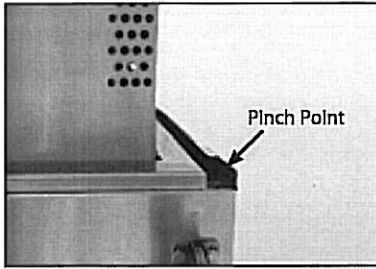


FIG. 10 Lift grill over rear flange of cart (be aware of pinch points).



FIG. 11 Grill head should rest over rear cart flange as shown above.



FIG. 12 Secure grill to rear of cart with (2) Phillips-head screws provided (10-24 x 1/2").

STEP 3

Front End Screw Installation

1. Install remaining (3) screws (10-24X1/2") in front of head to cart.
2. Slide drip tray/pan back into place. Move side shelf bars up and set trays into place.

STEP 4

Bolt Installation

After head is in place, install the bolt (1/4-20 x 2") omitted from Step 1, and tighten all bolts on bracket. Tighten until sides are flush with the trim only.

Note:

This bolt secures side bracket to grill head assembly for added side shelf strength. Apply Loctite 242 (blue) to the first 3-4 threads prior to installation of this bolt

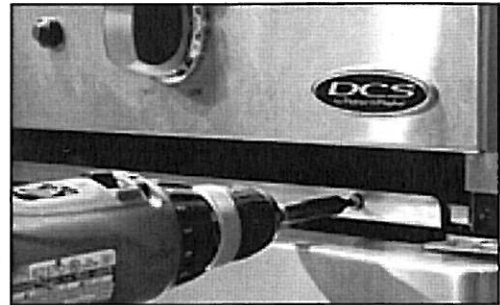


FIG. 13 Secure grill to the front of the cart with Phillips-head screws (provided).



FIG. 14 Front right side

INSTALLATION

CART ASSEMBLY INSTRUCTIONS

STEP 5

Side tray adjustment

1. Take the tray and place it onto the handle at a upright position. Make sure the tray sits snugly around the handle.
2. Then tighten the rest of the loose bolts that were not tightened in Step 1.

Side shelf adjustment

1. With extended use, the shelves may become unlevel and need to readjusted.
2. In between the bracket where the handle slides in is a 3/8" adjustment screw. Grasping the handle as shown, raise up the shelf and hold while with other hand using a 3/32 allen wrench turn to the desired level.

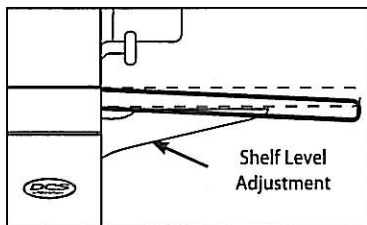


FIG. 15

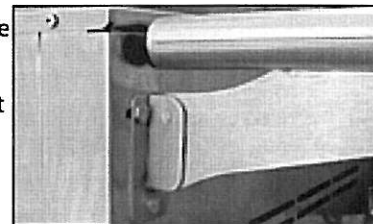


FIG. 16

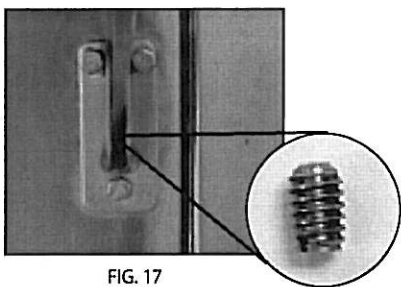


FIG. 17

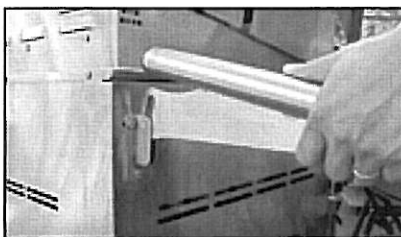


FIG. 18

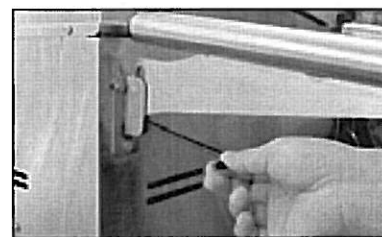


FIG. 19

3. Slide drip tray/pan back into place.
4. Move side shelf bars up and set trays into place.

STEP 6

Gas Hookup - LP

Attach LP gas line connector hose assembly (as shown in "LP Gas Hookup" section - Use/Care Guide) and then connect to LP tank as shown below.



FIG. 20



FIG. 21