

VENEZIA wall

A timeless and classic design, Venezia's formidable pyramid design now includes baffle filters and Zephyr's DCBL Suppression System® elevating this ageless range hood to unparalleled levels of performance. With directional Bloom™ HD LED light bulbs, Venezia's 24-inch deep capture area is fully illuminated with warm halogen-caliber light, while remaining cool to the touch on high or low settings.

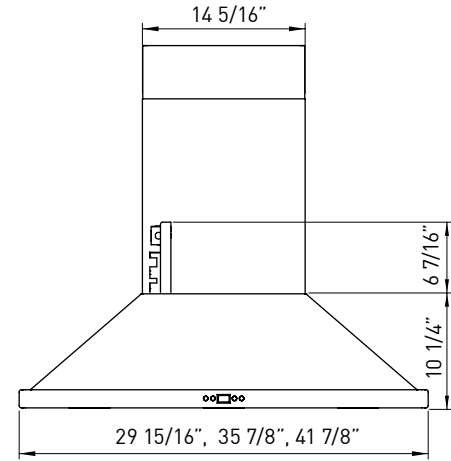
	INTERNAL BLOWER STANDARD	ACT™ INTERNAL BLOWER with AIRFLOW CONTROL TECHNOLOGY™			
Min.-Max. CFM	250 - 715	Min.-Max. CFM	250 - 590	250 - 390	250 - 290
Min.-Max. Sones	0.8 - 5.8	Min.-Max. Sones	0.8 - 4.5	0.8 - 3	0.8 - 1.2

ACT™ is an exclusive feature built into specific Zephyr hoods which can limit the maximum blower CFM to meet local code requirements.

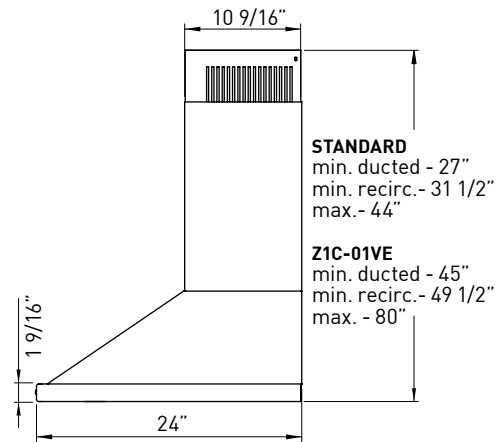


SIZE	
ZVE-E30CS	30"
ZVE-E36CS	36"
ZVE-E42CS	42"
PERFORMANCE	
INTERNAL, MIN.-MAX. BLOWER CFM	250 - 715
INTERNAL, MIN.-MAX. SONES	0.8 - 5.8
COLOR	
STAINLESS STEEL	SS
FEATURES	
CONTROLS	Electronic LCD
SPEED LEVELS	5 + Burst
AUTO DELAY-OFF	Yes
DIRECTIONAL LIGHTING	Bloom™ HD LED 6W x 2
DUAL LEVEL LIGHTING	Yes
FILTERS	Baffle
RECIRCULATING OPTION	Yes
EXTENSION DUCT COVER OPTION	Yes, Up to 12' Ceiling
DUCT SPECIFICATIONS	
VERTICAL - INTERNAL	8"
HORIZONTAL - INTERNAL	NA
AC INPUT	
	120V - 60Hz
AC POWER	
	Max. 4A
OPTIONAL ACCESSORIES	
RECIRCULATING KIT	ZRC-02VE
EXTENSION DUCT COVER	Z1C-01VE
UNIVERSAL MAKE-UP AIR DAMPER	MUA008A
MOUNTING HEIGHT*	
	26" - 34"
WARRANTY	
	3 Years Parts, 1 Year Labor

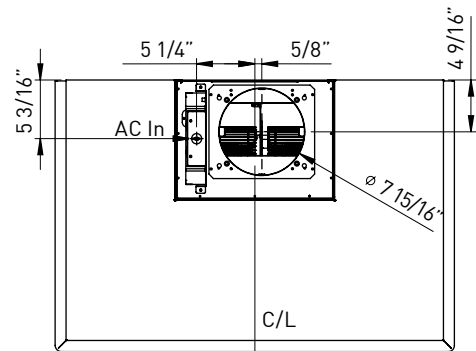
Specifications subject to change, check zephyronline.com for up to date information.



FRONT



SIDE



TOP

CEILING HEIGHT		8'	8.5'	9'	9.5'	10'	10.5'	11'	12'
STANDARD DUCT COVER	Ducted Mounting Height*	26"-33"	26"-34"	28"-34"	34"-34"	NA	NA	NA	NA
	Recirc. Mounting Height*	26"-28.5"	26"-34"	28"-34"	34"-34"	NA	NA	NA	NA
EXTENSION DUCT COVER	Ducted Mounting Height*	NA	NA	26"-27"	26"-33"	26"-34"	26"-34"	26"-34"	28"-34"
	Recirc. Mounting Height*	NA	NA	NA	26"-28.5"	26"-34"	26"-34"	26"-34"	28"-34"

*Mounting height refers to distance between top of a 36" tall cooking surface and bottom of hood.