

Under Counter Wine Storage System

KWT 6312 UGS



# Under Counter Wine Storage System

## KWT 6312 UGS



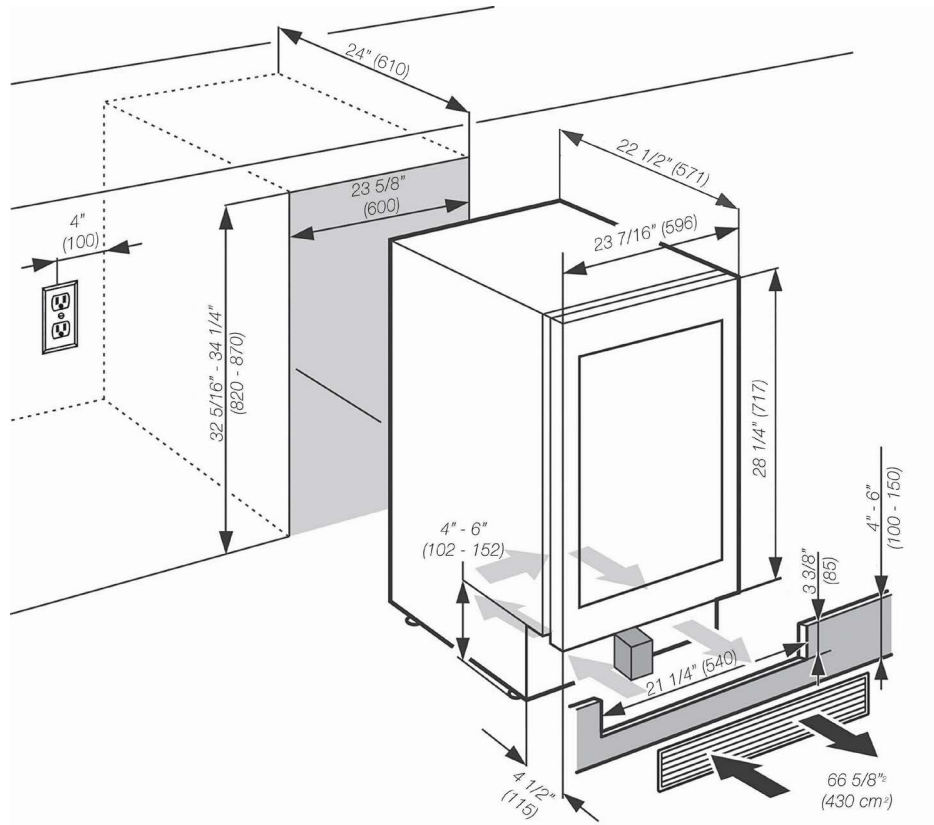
### Features:

- Built-under unit
- Tinted tempered glass door
- Push2open door
- SoftClose door
- Right hinged, convertible
- DynaCool
- Room for up to 46 bottles\*
- Single temperature panel
- TouchControl interface
- LED lighting
- Active AirClean filter
- Low vibration compressor
- FlexiFrame with Noteboard
- Sommelier set
- Side-by-Side combination available

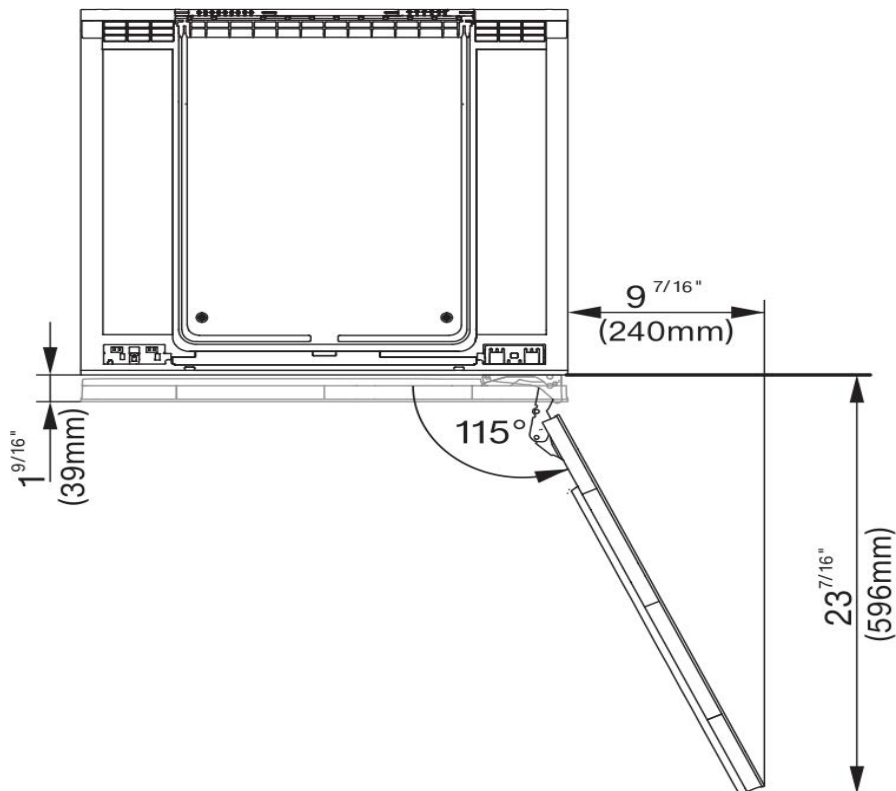
### SPECIFICATIONS

<b>KWT 6312 UGS – Item</b>	<b>36631200USA</b>
Overall Unit Width	23 <sup>7</sup> / <sub>16</sub> " (596mm)
Overall Unit Height	32 <sup>1</sup> / <sub>4</sub> " – 34 <sup>1</sup> / <sub>4</sub> " (819 – 870mm)
Overall Unit Depth	22 <sup>1</sup> / <sub>2</sub> " (571mm)
Door Clearance	23 <sup>7</sup> / <sub>16</sub> " (596mm)
<b>Niche</b>	
Minimum Cabinet Opening Width	23 <sup>5</sup> / <sub>8</sub> " (600mm)
Minimum Cabinet Opening Height	32 <sup>5</sup> / <sub>16</sub> " (820mm)
Minimum Cabinet Opening Depth	24" (610mm)
<b>Electrical</b>	
Electrical Requirements	110V / 120V, 60Hz, 15 Amps (single) 110V / 120V , 60Hz, 20Amp (side-by-side)
Power Cord	Yes - NEMA 5-15 plug, 6' 6 <sup>3</sup> / <sub>4</sub> " (2m)
<b>Shipping</b>	
Shipping Weight	110 lbs. (50 kg)
Shipping Weight w/ Sommelier Set	135.6 lbs. (61.5 kg)
<b>Support</b>	
Call	800.843.7231
20/20	☎2020technologies.com

Installation Dimension



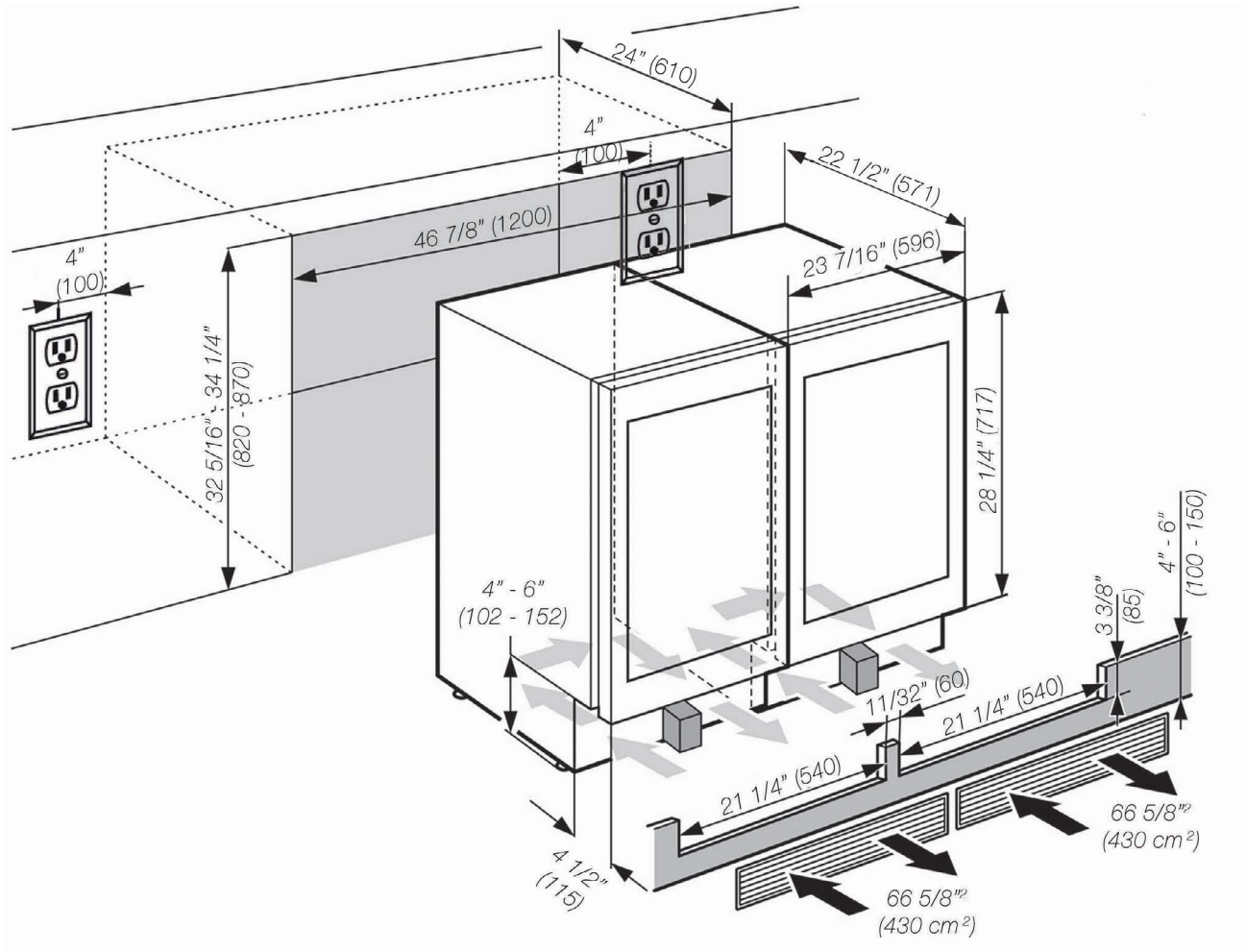
Top View



# Under Counter Wine Storage System KWT 6312 UGS



## Installation Dimension Side-by-side Combination



Note: Merging kit KSK6300 is need for side-by-side combination