

CET365NS

36-INCH ELECTRIC COOKTOP

MASTERPIECE® SERIES



FEATURES & BENEFITS

- ★ - CookSmart® feature—9 pre-programmed cooking modes
- ★ - Largest (13") and most powerful (4,000 W) round heating element on the market
 - Triple element offers the capability to use multiple pan sizes
 - Dual element offers the capability to use multiple pan sizes
 - Touch control panel with blue light illumination offers 17 power settings

ACCESSORIES (OPTIONAL)



CHEFSPAN08
10" Stainless Steel Pan



CHEFSPAN13
16" Round Skillet

GENERAL PROPERTIES

| | |
|----------|----------------|
| Controls | Touch Controls |
|----------|----------------|

ELEMENT PERFORMANCE

| | |
|--------------------------------------|-------------------------|
| Power of Front Left Heating Element | 1,700 / 700 W |
| Power of Back Left Heating Element | 1,700 / 700 W |
| Power of Center Heating Element | 4,000 / 3,000 / 2,000 W |
| Power of Back Right Heating Element | 1,200 W |
| Power of Front Right Heating Element | 2,200 / 750 W |

ELEMENT SIZE

| | |
|--|--------------|
| Dimension of Front Left Heating Element | 7", 5" |
| Dimension of Back Left Heating Element | 7", 5" |
| Dimension of Center Heating Element | 13", 11", 8" |
| Dimension of Back Right Heating Element | 6" |
| Dimension of Front Right Heating Element | 8", 5" |

TECHNICAL DETAILS

| | |
|---------------------|---------------------|
| Watts (W) | 9,900 W |
| Circuit Breaker (A) | 50 / 40 A |
| Volts (V) | 240 / 208 V |
| Frequency (Hz) | 60 Hz |
| Plug Type | No Plug |
| Conduit | 38" Flexible 3-Wire |
| Energy Source | Electric |

DIMENSIONS & WEIGHT

| | |
|---|---|
| Overall Appliance Dimensions (HxWxD) (in) | 7 ¹ / ₁₆ " + 3 15 ¹ / ₁₆ " x 37" x 21 1 ¹ / ₄ " |
| Required Cutout Size (HxWxD) (in) | 3 15 ¹ / ₁₆ " x 34 3 ³ / ₄ " x 19 7 ⁷ / ₈ " |
| Minimum Distance From Counter Front (in) | 2 1 ¹ / ₄ " |
| Minimum Distance From Rear Wall (in) | 2 3 ³ / ₄ " |
| Net Weight (lbs) | 34 lbs |

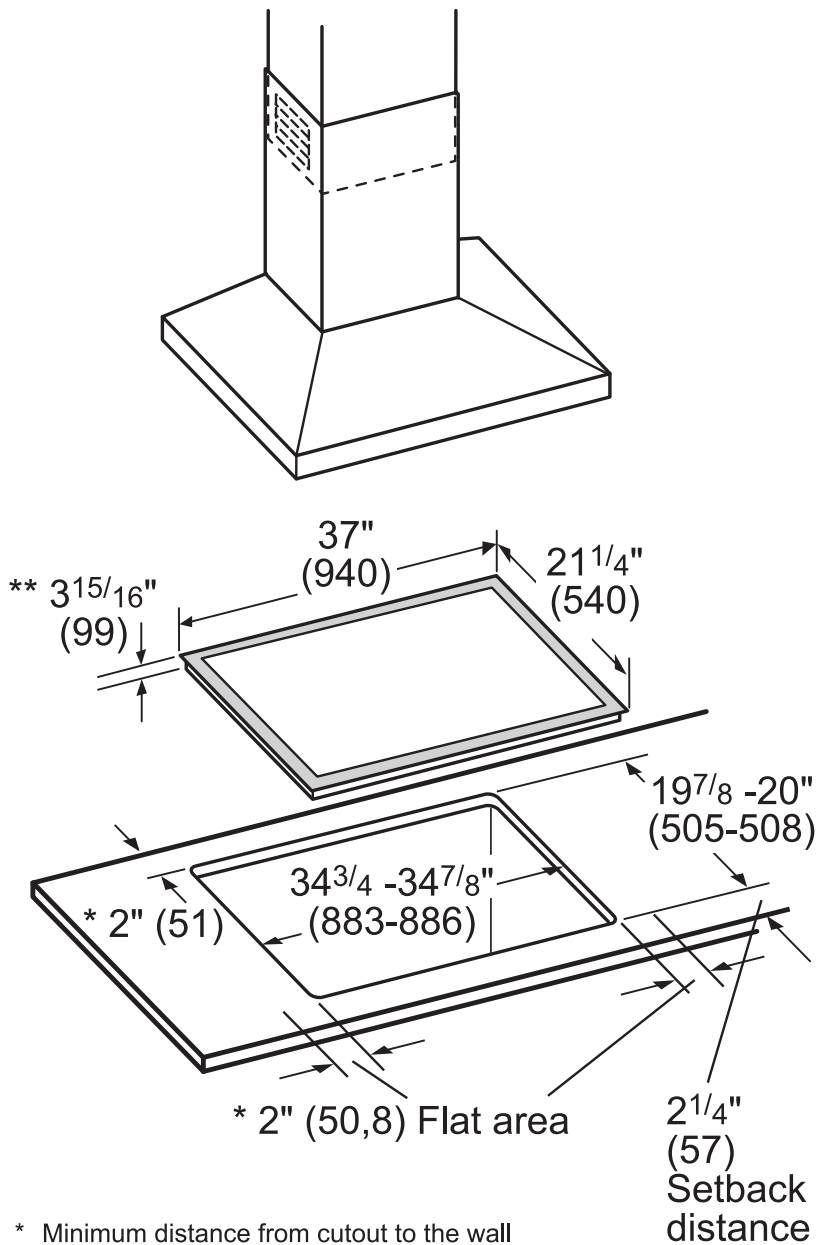
WARRANTY

| | |
|---|-----------------|
| Limited Warranty, Entire Appliance, Parts and Labor | 2 Year |
| Limited warranty for glass ceramic surface / electronic elements and switches; parts only | 3rd to 5th Year |

CET365NS
36-INCH ELECTRIC COOKTOP
 MASTERPIECE® SERIES



36-INCH ELECTRIC COOKTOP AND CUTOUT DIMENSIONS



Measurements in inches (mm in brackets)

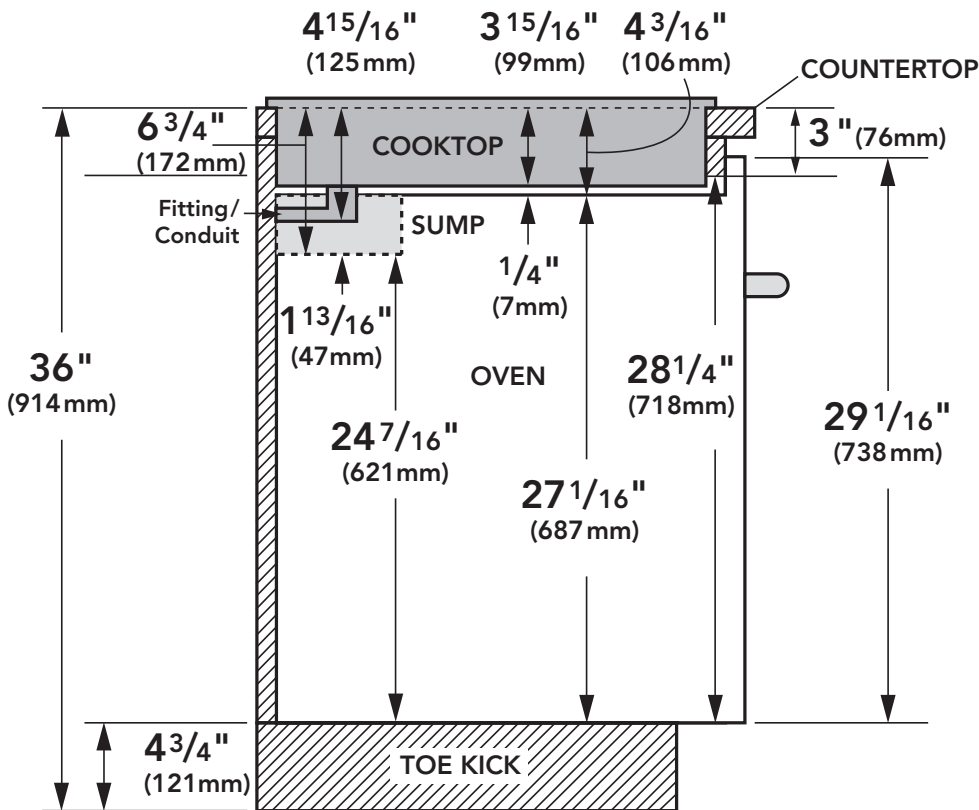
CET365NS

36-INCH ELECTRIC COOKTOP

MASTERPIECE® SERIES



INSTALLATION ABOVE A THERMADOR BUILT-IN OVEN

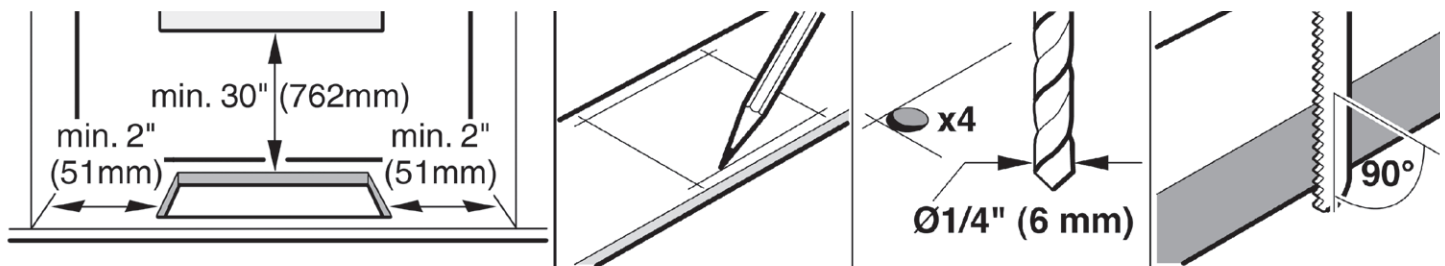


Note: Dimensions based on standard countertop height (36" with 4 3/4" toe kick including base plate).

The built-in oven can be installed below the electric cooktop as long as there is no contact between the bottom of the cooktop and the top of the oven.

Sump applies to 30-inch Wall Ovens only.

COUNTERTOP REQUIREMENTS



These warranties give you specific legal rights and you may have other rights that vary from state to state. Full warranty and limited warranty from date of installation. For complete warranty details, refer to your Use & Care manual, or ask your dealer.

Specifications are for planning purposes only. Refer to installation instructions and consult your countertop supplier prior to making counter opening. Consult with a heating and ventilation engineer for your specific ventilation requirements. For the most detailed information, refer to installation instructions accompanying product or write to Thermador indicating the model number. Specifications are correct at time of printing. Thermador reserves the right to change product specifications or design without notice. Some models are certified for use in Canada. Thermador is not responsible for products that are transported from the U.S. for use in Canada.