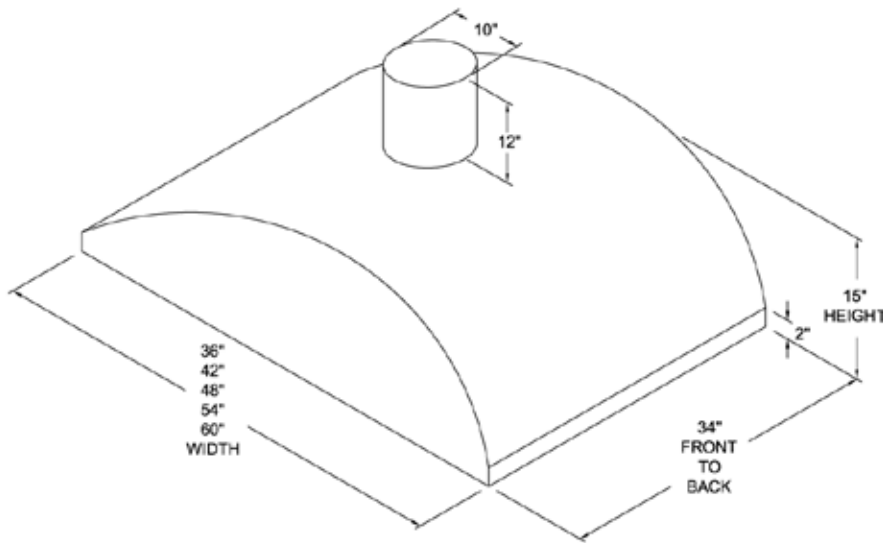


CRESCENT *Island Model*



- SEAMLESS CONSTRUCTION
- 3-SPEED CONTROL
- 50 WATT AMBIENT & BRILLIANT-BULBS INCLUDED
- HIGH HEAT SENSOR
- BAFFLE FILTERS- STAINLESS STEEL
- ENCLOSED LINER- STAINLESS STEEL
- 16 GAUGE MATERIAL
- MIRRORED, FINISHED EDGES
- TOP DISCHARGE ONLY
- FLUE (PRICED SEPARATELY)
- ACCEPTS CFM600, CFM1200, CFMR600, CFMR1000 OR CFMR1400 FAN (PURCHASED SEPARATELY)

MODEL	SIZE	MATERIAL
CRES-I-36-SS	36"	BRUSHED SS
CRES-I-42-SS	42"	BRUSHED SS
CRES-I-48-SS	48"	BRUSHED SS
CRES-I-54-SS	54"	BRUSHED SS
CRES-I-60-SS	60"	BRUSHED SS
CRES-I-36-BS	36"	EUROPEAN BS
CRES-I-42-BS	42"	EUROPEAN BS
CRES-I-48-BS	48"	EUROPEAN BS
CRES-I-54-BS	54"	EUROPEAN BS
CRES-I-60-BS	60"	EUROPEAN BS
CRES-I-36-BC	36"	BRUSH COPPER
CRES-I-42-BC	42"	BRUSH COPPER
CRES-I-48-BC	48"	BRUSH COPPER
CRES-I-54-BC	54"	BRUSH COPPER
CRES-I-60-BC	60"	BRUSH COPPER
CRES-I-36-AC	36"	ANTIQUATED
CRES-I-42-AC	42"	ANTIQUATED
CRES-I-48-AC	48"	ANTIQUATED
CRES-I-54-AC	54"	ANTIQUATED
CRES-I-60-AC	60"	ANTIQUATED
CRES-I-36-HC	36"	HAMMER COPPER
CRES-I-42-HC	42"	HAMMER COPPER
CRES-I-48-HC	48"	HAMMER COPPER
CRES-I-54-HC	54"	HAMMER COPPER
CRES-I-60-HC	60"	HAMMER COPPER