



## 5 SERIES BUILT-IN REAR DOWNDRAFTS

*Viking Professional 5 Series – VDD*

### DESIGN AND APPEARANCE

- Coordinates with both Viking Professional and Viking cooktops and Viking Professional rangetops
- Compact design is installed directly behind a cooktop or rangetop for an unobtrusive appearance
- Available in 30", 36", 45" and 48" widths
- Thin profile provides additional space under the cabinet

### PROFESSIONAL PERFORMANCE AND FEATURES

- Industry leading 18" high chimney rise is ideal for large pots and pans, capturing more smoke and odors than other downdrafts
- Brushed stainless steel cover with dishwasher-safe filters are easy to remove for cleaning
- Filter clean indicator takes the guesswork out of when to clean the filter
- Capacitive touch control on front and top
- Two level LED lighting (500 LUX) for bright surface illumination
- Four speed blower efficiently handles all types of cooking
- Heat sensor automatically adjusts speed of blower to high when excessive heat is detected

### MODEL NUMBERS

- VDD5300SS – 30"W. Rear Downdraft
- VDD5360SS – 36"W. Rear Downdraft
- VDD5450SS – 45"W. Rear Downdraft
- VDD5480SS – 48"W. Rear Downdraft



### BLOWER OPTIONS

- VDVI600 – 600 CFM interior flex blower
  - Unique ducting capability allows interior blower to be ducted left, right, down or as a remote mount
- VDVE900 – 900 CFM external blower
- VDVE1200 – 1200 CFM external blower
  - Optional ARKD accessory recirculating kit provides an option when outside ducting is not possible

### ACCESSORIES

- ARKD – Non-duct recirculation kit
- BPF8 – Non-duct filter replacement
- ATKD8 – Transition to 8" round
- ATKD10 – Transition to 10" round
- RCVD8 – Front panel rough-in for remote flex blower 8"
- RCVD10 – Front panel rough-in for remote flex blower 10"

### ACCESSORIES (CONTINUED)

- VACE36 – End caps for 36-3/4"W. cooktop
- AXKD2 – 2' of flexible duct
- AXD5 – 5' of extension cable for flex blower remote use

### COLOR FINISHES

- Available in Stainless Steel (SS)

### WARRANTY

- 3-year full covers complete unit
- 5-year limited covers downdraft blower



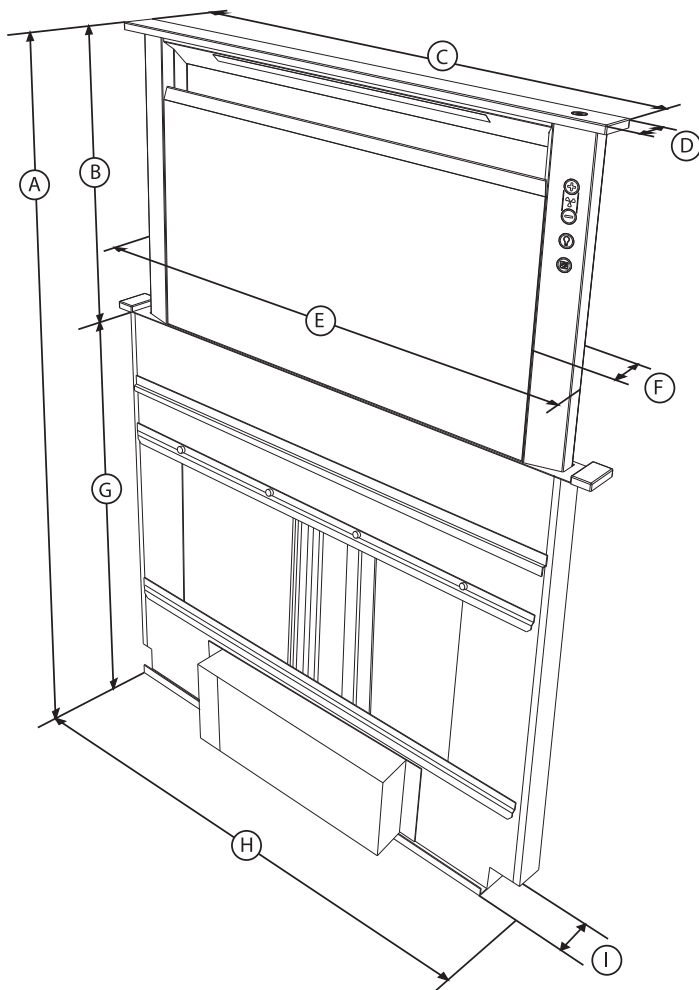


# 5 SERIES BUILT-IN REAR DOWNDRAFTS

Viking Professional 5 Series – VDD

BUILT-IN REAR DOWNDRAFTS				
MODEL NUMBER	CFM	RECOMMENDED DUCT SIZE	MAX DUCT RUN	120 V/60 HZ MAX AMPS
VDVI600 (interior) – NEW	600	8" round	40 feet (12.2m)	3.0
VDVE900 (exterior) – NEW	900	10" round	50 feet (15.2m)	5.7
VDVE1200 (exterior) – NEW	1200	10" round	50 feet (15.2m)	6.0

Please do not prepare installation from brochure data only. See installation instructions for important clearance/installation information.



	30"W. Model	36"W. Model	45"W. Model	48"W. Model
A	47.875"	47.875"	47.875"	47.875"
B	18.5"	18.5"	18.5"	18.5"
C	27.375"	33.375"	43.375"	45.375"
D	2.25"	2.25"	2.25"	2.25"
E	25.5"	31.5"	40.5"	43.5"
F	1.75"	1.75"	1.75"	1.75"
G	29.375"	29.375"	29.375"	29.375"
H	27.125"	33.125"	42.125"	45.125"
I	2.5"	2.5"	2.5"	2.5"



VIKING RANGE, LLC 111 FRONT STREET GREENWOOD, MISSISSIPPI 38930 USA

For detailed product information, model numbers, or to request a quote call 1-888-845-4641 or visit [vikingrange.com](http://vikingrange.com)  
 © 2014 Viking Range, LLC All rights reserved. Specifications subject to change without notice.