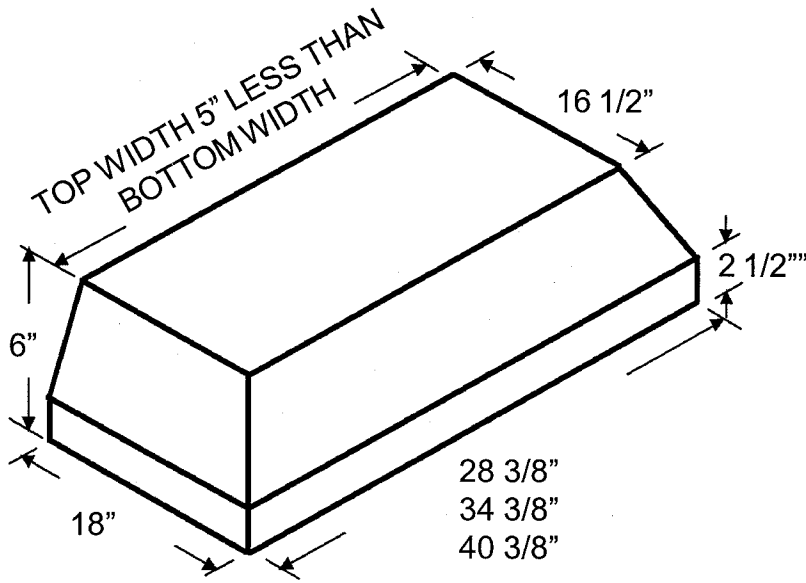
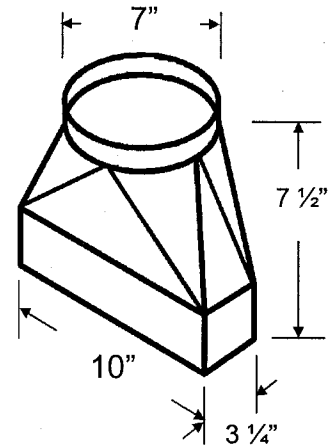


Vent Hood® WALL MOUNT LINER INSERT SPECIFICATIONS

KHSLD LINER Halogen lights only. This model not available with heat lamps. This model only available in Black, Biscuit, Graphite Gray, Stainless Steel, or White.



The VP521 transition is available for top vent applications at an additional charge.



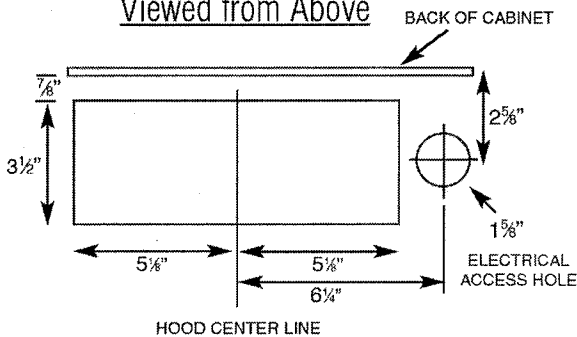
Top Vent or Back Vent
3 1/4" x 10"

KHSLD

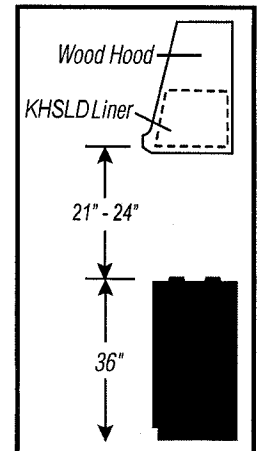
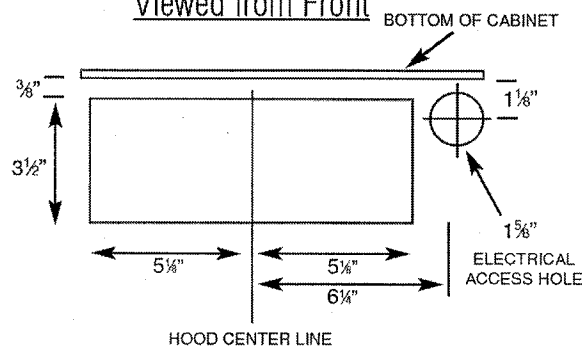
Blower Outlet Diagram

Mounting Height

Cabinet Cutout for Vertical Ducting Viewed from Above



Wall Cutout for Horizontal Ducting Viewed from Front



Electrical/Mechanical Specifications For K250 Blower

Application	Volts	Amps	HZ	RPM	Equivalent CFM	CFM SP@.0"	CFM SP@.1"	CFM SP@.2"	CFM SP@.3"
Top Vent High	115	3.2 ●	60	1550	360	240	225	215	200
Top Vent Low	115	3.2 ●	60	1200	255	170	170	160	155
Back Vent High	115	3.2 ●	60	1550	330	220	215	195	180
Back Vent Low	115	3.2 ●	60	1200	265	175	170	160	145

●Note: Add .5 amp for each halogen bulb. Liner is equipped with two halogen lights. Equivalent CFM refers to the fact that the K Series blower uses a centrifugal filtration unit, whereas others use conventional filters. Apply this guideline when comparing blower units made by other manufacturers.