

SO24TE/S/TH



FEATURES

11 cooking modes make meals easy

Black porcelain interior

Installs flush or proud with surrounding cabinetry

Self clean, delayed start, timed cook and more

Single convection oven for fast, consistent cooking

Quicker preheat for faster meal prep

Adjustable oven rack plus porcelain-coated pan

Hidden bake element and recessed broil element

Rigorously tested in our U.S. manufacturing facilities for decades of use

Exceptional 24/7 support from our Customer Care team in Madison

Temperature probe lets you know when it's done

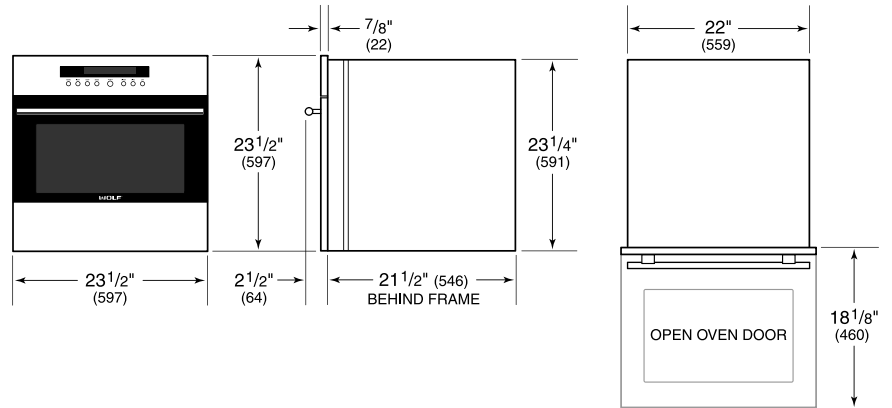
Dual halogen lights for better interior views



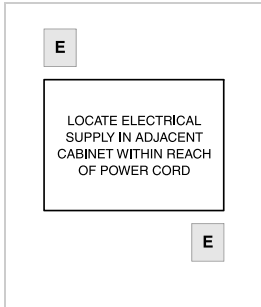
PRODUCT SPECIFICATIONS

Model	SO24TE/S/TH
Dimensions	23 1/2"W x 23 1/2"H x 21 1/2"D
Oven 1 Interior Dimensions	18"W x 13 3/4"H x 16"D
Overall Capacity	2.4 cu ft
Usable Capacity	1.6 cu ft
Door Clearance	18 1/8"
Weight	80 lb
Electrical Supply	240/208 VAC, 60 Hz
Electrical Service	20 amp dedicated circuit
Power Cord Length	6 feet

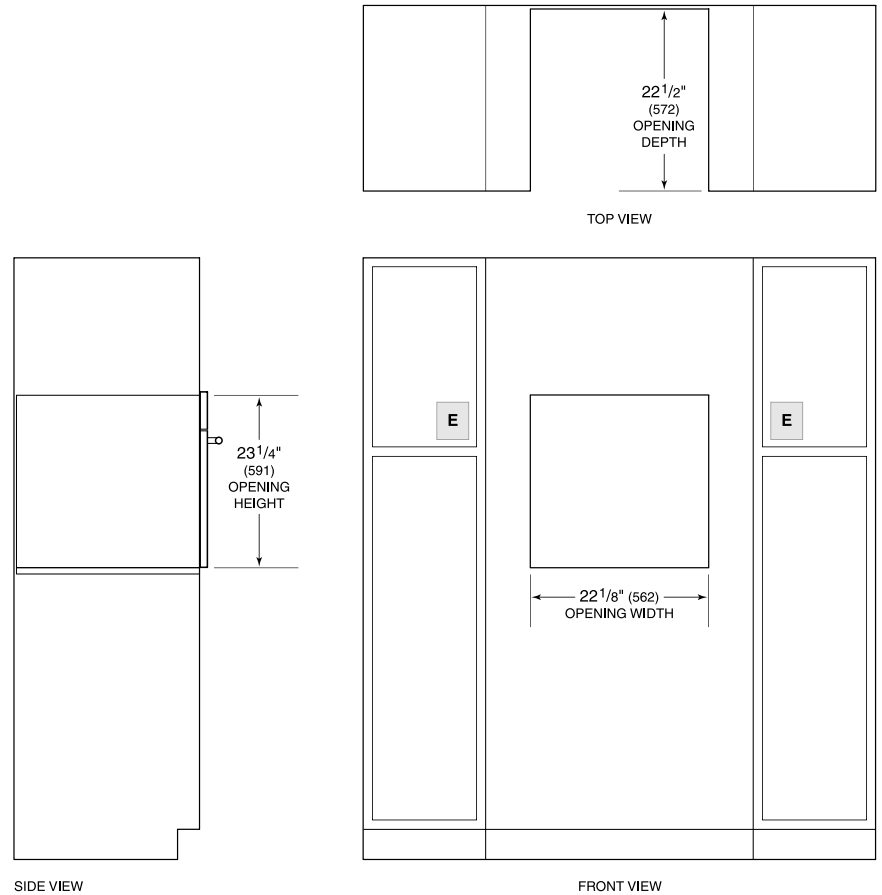
DIMENSIONS



ELECTRICAL



STANDARD INSTALLATION



NOTE: Electrical supply must be located in adjacent cabinet within 3' (.9 m) of opening.