

GDT695SGJ/SMJ/SSJ

GE Appliances Stainless Steel Interior Dishwasher with Hidden Controls

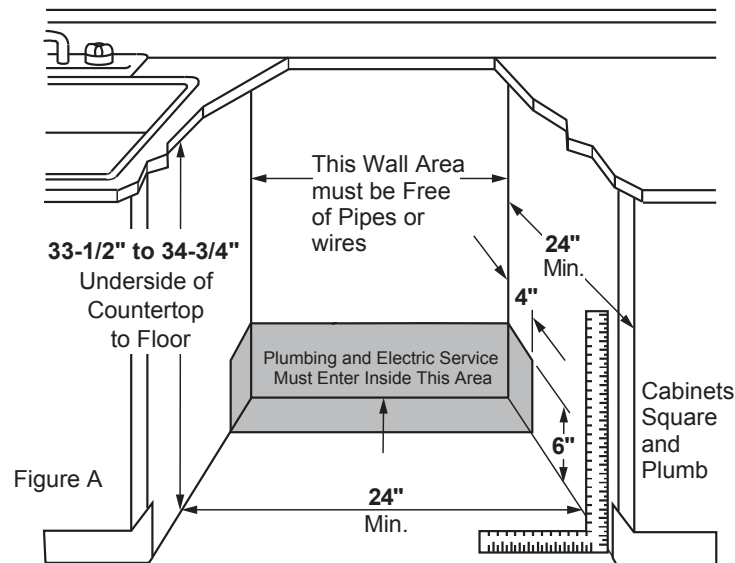
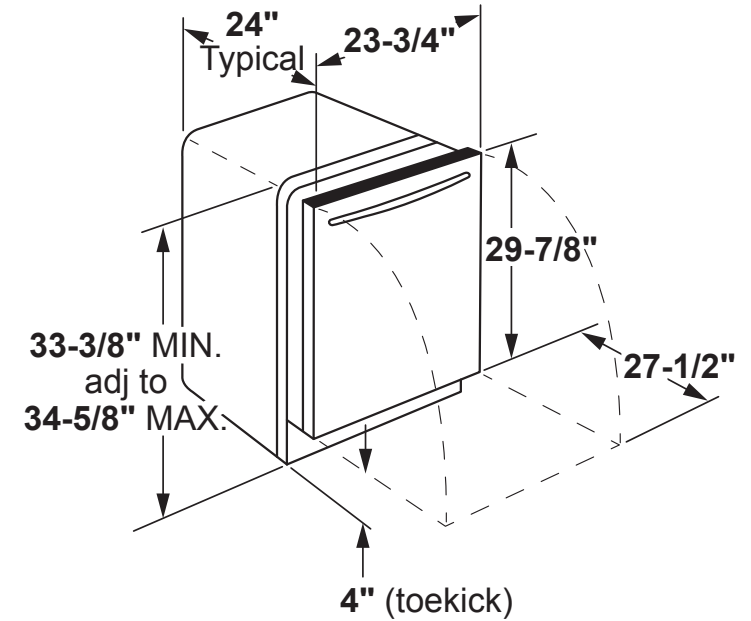
DIMENSIONS AND INSTALLATION INFORMATION (IN INCHES)

ELECTRICAL RATING

Voltage AC.....	120
Hertz.....	60
Total connected load amperage.....	7.2
Calrod® heater watts max.....	415/800

For use on adequately wired 120-volt, 15-amp circuit having 2-wire service with a separate ground wire. This appliance must be grounded for safe operation.

INSTALLATION INFORMATION: Before installing, consult installation instructions packed with product for current dimensional data.



For answers to your Monogram, GE Café™ Series, GE Profile™ Series or GE Appliances product questions, visit our website at geappliances.com or call GE Answer Center® Service, 800.626.2000.



Listed by Underwriters Laboratories



As an ENERGY STAR® partner, GE has determined that this product meets the ENERGY STAR guidelines for energy efficiency.

GDT695SGJ/SMJ/SSJ

GE Appliances Stainless Steel Interior Dishwasher with Hidden Controls

FEATURES AND BENEFITS

Third Rack - Easily clean an entire flatware collection, knives and small utensils with an additional rack across the top of the dishwasher

Bottle Jets - Clean hard-to-reach areas inside tall items with two dedicated jets integrated into the upper rack that shower water deep inside for the ultimate clean

Easy touch adjustable upper rack with 2 Stem Safe shelves - Quickly adjust the upper rack 2 inches up or down to accommodate tall glassware and 10 ½" plates with plenty of room in the bottom rack for large platters and cookie sheets

Piranha™ hard food disposer with removable filter - To ensure consistently clean items, this stainless steel blade rotates at 3,600 RPM to pulverize food particles and helps to prevent large particles from clogging the wash arms

Full-extension smooth-glide upper rack - Loading and unloading is smooth and simple with a durable rack that fully extends on ball bearings

Hidden vent with fan dry - Dishes dry quickly and efficiently with a fan that extracts moisture from the interior

Lower rack multi-position, fold-down tines - Configure racks to fit your dishes with adjustable loading options including multi-position, fold-down tines

Floor Protect - Uncommon leaks can be easily detected and contained

45 dBA - Ultra-quiet operation creates a peaceful kitchen environment even as it delivers powerful wash performance

Model GDT695SSJSS - Stainless steel

Model GDT695SGJWW - White

Model GDT695SGJBB - Black

Model GDT695SMJES - Slate

