



Installation Instructions

Built-In Dishwasher

If you have questions, call 800.GE.CARES (800.432.2737) or visit our Website at: GEAppliances.com. In Canada, please call 800.561.3344 or visit www.geappliances.ca



BEFORE YOU BEGIN

Read these instructions completely and carefully.

! WARNING:

- Remove all power leading to the appliance from the circuit breaker or fuse box before beginning installation. Failure to do so can result in a risk of electrical shock.
- To reduce the risk of electric shock, fire, or injury to persons, the installer must ensure that the dishwasher is completely enclosed at the time of installation.
- The improper connection of the equipment grounding conductor can result in a risk of electric shock. Check with a qualified electrician or service representative if you are in doubt that the appliance is properly grounded. If house wiring is not 2-wire with ground, a ground must be provided by the installer. When house wiring is aluminum, be sure to use UL Listed anti-oxidant compound and aluminum-to-copper connectors.
- To reduce the risk of electric shock, fire, or injury to persons, the installer should check to ensure that wires are not pinched or damaged, the house wiring is attached to the junction box bracket through a strain relief, and all electrical connections made at the time of install (wire nuts) are contained inside of the junction box cover.

! ADVERTENCIA:

- Retire todos los conductores de corriente del electrodoméstico de disyuntor o de la caja del fusible antes de comenzar con la instalación. Si no cumple con esto, se podrá producir el riesgo de descargas eléctricas.
- Para reducir el riesgo de descarga eléctrica, incendio o lesiones a personas, el instalador debe asegurarse de que el lavaplatos esté completamente cerrado en el momento de la instalación.
- La conexión inadecuada del conductor de conexión a tierra del equipamiento puede provocar un riesgo de descarga eléctrica. Consulte a un electricista calificado o representante de servicio técnico si tiene dudas sobre la correcta conexión a tierra del aparato. Si el cableado doméstico no cuenta con un cable de 2 hilos con conexión a tierra, un instalador debe realizar una conexión a tierra. Cuando el cableado doméstico es de aluminio, asegúrese de usar un compuesto antioxidante y conectores de aluminio a cobre aprobados por UL.
- Para reducir el riesgo de descarga eléctrica, incendio o lesiones a personas, el instalador deberá realizar un control para asegurar que los cables no estén pellizcados ni dañados, que el cableado del hogar esté conectado a la ficha de la caja de empalmes a través de un amortiguador de refuerzo, y que todas las conexiones eléctricas realizadas en el momento de la instalación (tuercas para cables) estén dentro de la tapa de la caja de empalmes.

FOR YOUR SAFETY

Read and observe all WARNINGS and CAUTIONS shown throughout these instructions. While performing installations described in this booklet, gloves, safety glasses or goggles should be worn.

IMPORTANT – Observe all governing codes and ordinances.

- **Note to Installer** – Be sure to leave these instructions for the consumer's and local inspector's use.
- **Note to Consumer** – Keep these instructions with your Owner's Manual for future reference.
- **Skill Level** – Installation of this dishwasher requires basic mechanical, electrical and plumbing skills. **Proper installation is the responsibility of the installer. Product failure due to improper installation is not covered under the GE Appliance Warranty. See warranty information.**
- **Completion Time** – 1 to 3 Hours. New installations require more time than replacement installations.

IMPORTANT – The dishwasher MUST be installed to allow for future removal from the enclosure if service is required.

Care should be exercised when the appliance is installed or removed, to reduce the likelihood of damage to the power supply cord.

If you received a damaged dishwasher, you should immediately contact your dealer or builder.

Your dishwasher is a water heating appliance.

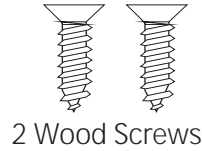
Optional Accessories – See the Owner's Manual for available custom panel kits.

**READ CAREFULLY.
KEEP THESE INSTRUCTIONS.**

Installation Preparation

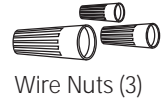
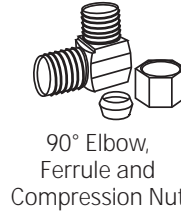
PARTS SUPPLIED:

- ❑ Two #8 Phillips flat head wood screws, 5/8" long to secure dishwasher to underside of countertop (in literature package).



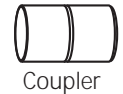
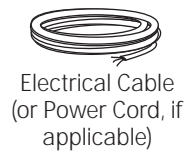
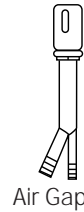
MATERIALS YOU WILL NEED:

- ❑ Ferrule, compression nut and 90° Elbow (3/8" NPT external thread on one end, opposite end sized to fit water supply)
- ❑ Thread seal tape
- ❑ UL Listed wire nuts (3)



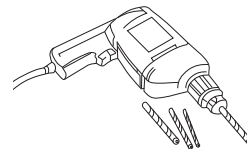
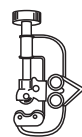
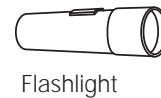
MATERIALS FOR NEW INSTALLATIONS ONLY:

- ❑ Air gap for drain hose, if required
- ❑ Waste tee for house plumbing, if applicable
- ❑ Electrical cable or power cord, if applicable
- ❑ Screw type hose clamps
- ❑ Strain relief for electrical connection
- ❑ Hand shut-off valve
- ❑ Water line 3/8" min. copper
- ❑ Coupler for extending drain line, if applicable



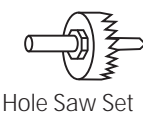
TOOLS YOU WILL NEED:

- ❑ Phillips head screwdriver
- ❑ 5/16" and 1/4" Nutdriver
- ❑ 6" Adjustable wrench
- ❑ Level
- ❑ Carpenters square
- ❑ Measuring tape
- ❑ Safety glasses
- ❑ Flashlight
- ❑ Bucket to catch water when flushing the line
- ❑ Gloves



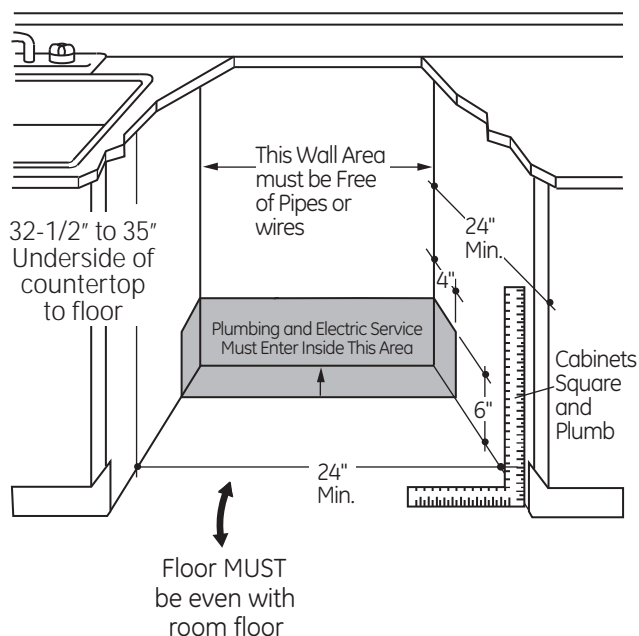
FOR NEW INSTALLATIONS ONLY:

- ❑ Tubing cutter
- ❑ Drill and appropriate bits
- ❑ Hole saw set



Installation Preparation

PREPARE DISHWASHER ENCLOSURE



- The rough cabinet opening must be at least 24" deep, 24" wide and approximately 34-1/2" high from floor to underside of the countertop.

⚠ WARNING:

To reduce the risk of electric shock, fire, or injury to persons, the installer must ensure that the dishwasher is completely enclosed at the time of installation.

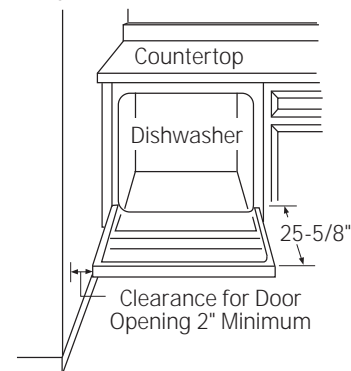
⚠ ADVERTENCIA:

Para reducir el riesgo de descarga eléctrica, incendio o lesiones a personas, el instalador debe asegurarse de que el lavaplatos esté completamente cerrado en el momento de la instalación.

- The dishwasher must be installed so that drain hose is no more than 10' in length for proper drainage.
- The dishwasher must be fully enclosed on the top, sides and back, and must not support any part of the enclosure.

CLEARANCES:

- When installed into a corner, allow 2" min. clearance between dishwasher and adjacent cabinet, wall or other appliances. Allow 25-5/8" min. clearance from the front of the dishwasher for door opening.



DRAIN REQUIREMENTS

- Follow local codes and ordinances.
- Do not exceed 10' distance to drain.
- Maximum drain height is 72".

NOTE: Air gap must be used, if waste tee or disposer connection is less than 18" above floor to prevent siphoning.

DETERMINE DRAIN METHOD

The type of drain installation depends on the following questions.

- Do local codes or ordinances require an air gap?
- Is waste tee less than 18" above floor?

If the answer to either question is YES, Method 1 MUST be used.

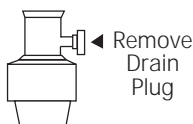
If the answers are NO, either method may be used.

CABINET PREPARATION

- Drill a 1-1/2" diameter hole in the cabinet wall within the shaded areas shown in PREPARE DISHWASHER ENCLOSURE section for the drain hose connection. The hole should be smooth with no sharp edges.

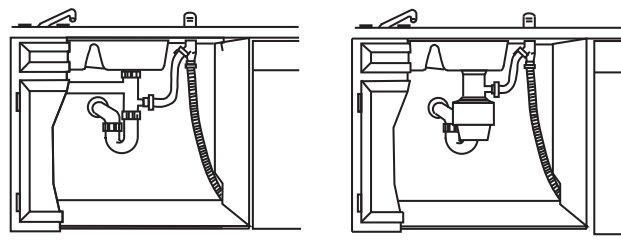
IMPORTANT – When

connecting drain line to disposer, check to be sure that drain plug has been removed. DISHWASHER WILL NOT DRAIN IF PLUG IS LEFT IN PLACE.



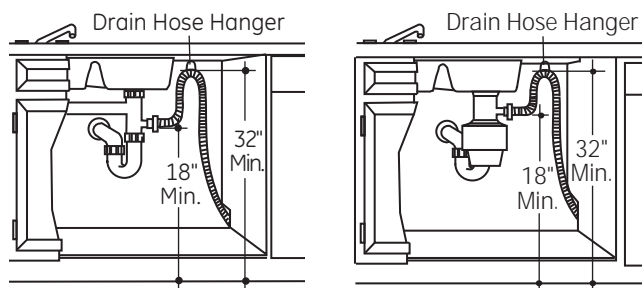
Method 1 – Air gap with waste tee or disposer

An air gap must be used when required by local codes and ordinances. Install waste tee or disposer and air gap according to manufacturer's instructions.



Method 2 – High drain loop with waste tee or disposer

Provide a method to attach drain hose to underside of countertop. Install waste tee or disposer according to manufacturer's instructions.



Tip: Avoid unnecessary service call charges.

Always be sure disposer drain plug has been removed before attaching dishwasher drain hose to the disposer.

Installation Preparation

PREPARE ELECTRICAL WIRING

⚠ WARNING:

- Remove all power leading to the appliance from the circuit breaker or fuse box before beginning installation. Failure to do so can result in a risk of electrical shock.

⚠ ADVERTENCIA:

- Retire todos los conductores de corriente del electrodoméstico de disyuntor o de la caja del fusible antes de comenzar con la instalación. Si no cumple con esto, se podrá producir el riesgo de descargas eléctricas.

Electrical Requirements

- This appliance must be supplied with 120V, 60 Hz., and connected to an individual properly grounded branch circuit, protected by a 15 or 20 ampere circuit breaker or time-delay fuse.
- Wiring must be 2 wire with ground and rated for 75°C (176°F).
- If the electrical supply does not meet the above requirements, call a licensed electrician before proceeding.

Grounding Instructions—Permanent Connection

This appliance must be connected to a grounded metal, permanent wiring system, or an equipment-grounding conductor must be run with the circuit conductors and be connected to the equipment-grounding terminal or lead on the appliance.

Grounding Instructions—Power Cord Models

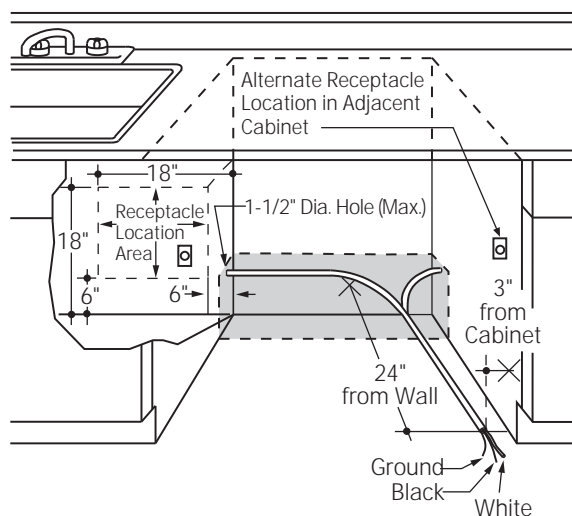
This appliance must be grounded. In the event of a malfunction or breakdown, grounding will reduce the risk of electric shock by providing a path of least resistance for electric current. This appliance is equipped with a cord having an equipment-grounding conductor and a grounding plug. The plug must be plugged into an appropriate outlet that is installed and grounded in accordance with all local codes and ordinances.

⚠ WARNING:

- The improper connection of the equipment grounding conductor can result in a risk of electric shock. Check with a qualified electrician or service representative if you are in doubt that the appliance is properly grounded. If house wiring is not 2-wire with ground, a ground must be provided by the installer. When house wiring is aluminum, be sure to use UL Listed anti-oxidant compound and aluminum-to-copper connectors.

⚠ ADVERTENCIA:

- La conexión inadecuada del conductor de conexión a tierra del equipamiento puede provocar un riesgo de descarga eléctrica. Consulte a un electricista calificado o representante de servicio técnico si tiene dudas sobre la correcta conexión a tierra del aparato. Si el cableado doméstico no cuenta con un cable de 2 hilos con conexión a tierra, un instalador debe realizar una conexión a tierra. Cuando el cableado doméstico es de aluminio, asegúrese de usar un compuesto antioxidante y conectores de aluminio a cobre aprobados por UL.



For models equipped with power cord: Do not modify the plug provided with the appliance; if it will not fit the outlet, have a proper outlet installed by a qualified technician.

Cabinet Preparation & Wire Routing

- The wiring may enter the opening from either side, rear or the floor within the shaded area illustrated in above figure and defined in **PREPARE DISHWASHER ENCLOSURE** section.
- Cut a 1-1/2" maximum diameter hole to admit the electrical cable. Edges of hole should be smooth and rounded. Permanent wiring connections may pass through the same hole as the drain hose and hot water line, if convenient. If cabinet wall is metal, the hole edge must be covered with a bushing.

NOTE: Power cords with plug must pass through a separate hole.

Electrical Connection to Dishwasher

Electrical connection is on the right front of dishwasher.

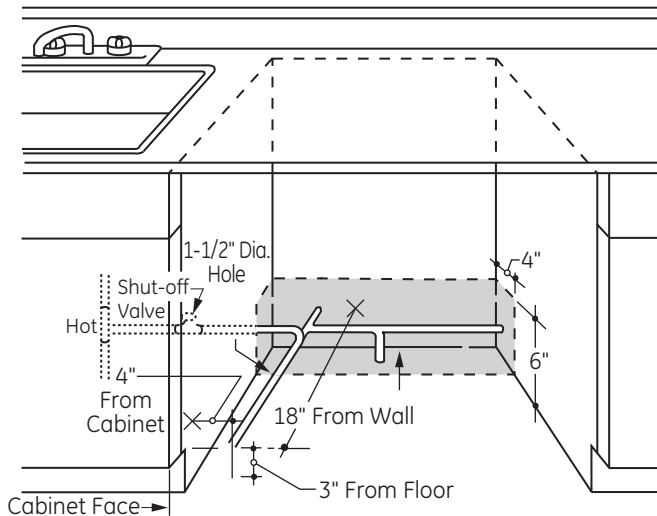
- For permanent connections the cable must be routed as shown in above figure. Cable must extend a minimum of 24" from the rear wall.
- For power cord connections, install a 3-prong grounding type receptacle in the sink cabinet rear wall, 6" min. or 18" maximum from the opening, 6" to 18" above the floor.
- Use only **WX09X70910** (5' 5" long) or **WX09X70911** (7' 11" long) Dishwasher Power Cord Kit. Do not use an extension cord or adapter plug with this appliance.

Installation Instructions

PREPARE HOT WATER LINE

NOTE: GE recommends copper tubing for the water line, but if you choose to use flexible hose, use GE's **WX28X326**, flexible braided hose.

- The water supply line (3/8" copper tubing or flexible braided hose) may enter from either side, rear or floor within the shaded area shown.
- The water supply line may pass through the same hole as the electrical cable and drain hose. Or, cut an additional 1-1/2" diameter hole to accommodate the water line. If power cord with plug is used, water line must not pass through power cord hole.

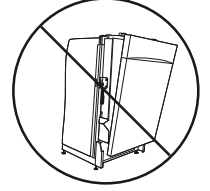


Water Line Connection

- If using a flexible braided supply hose, label the hose with the installation date to use as reference. Flexible braided hoses, elbows and gaskets should be replaced every 5 years.
- NOTE:** Some flexible braided water lines contain a check valve which may stop the dishwasher from filling.
- Turn off the water supply.
- Install a hand shut-off valve in an accessible location, such as under the sink. (Optional, but strongly recommended and may be required by local codes.)
- Water connection is on the left side of the dishwasher. Install the hot water inlet line, using no less than 3/8" copper tubing or a flexible braided hose. Route the line as shown above and extend forward at least 18" from rear wall.
- Adjust water heater for 120°F to 140°F temperature.
- Flush water line to clean out debris.
- The hot water supply line pressure must be 20-120 psi.

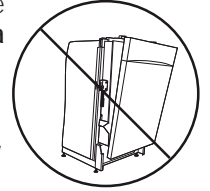
⚠ CAUTION:

Opening the door will cause the dishwasher to tip forward. **Do not open the door until you are ready to install the dishwasher.** If it is necessary to open the door, hold the top of the dishwasher securely with one hand and hold the door with the other hand.



⚠ PRECAUCIÓN:

Abrir la puerta hará que el lavaplatos se incline hacia adelante. **No abra la puerta hasta que esté listo para instalar el lavaplatos.** Si es necesario abrir la puerta, sostenga la parte superior del lavaplatos firmemente con una mano y sujete la puerta con la otra.



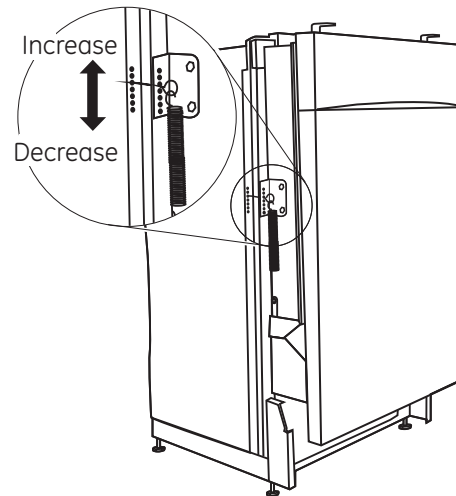
BEFORE YOU BEGIN



Locate and set aside the package containing 2 Phillips head counter top mounting screws and 2 additional toekick screws (located in the literature).

STEP 1 – CHECK DOOR BALANCE

To check the door balance, hold the top of the dishwasher firmly.

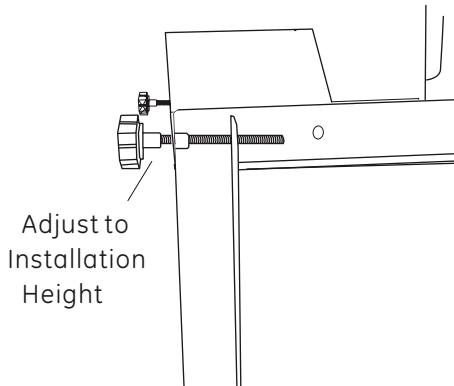


- Open the door slowly, if the door drops when released, increase spring tension. If the door closes when released, decrease tension.
- Pull the spring adjustment pin out of the holes, insert in the next highest or lowest hole and test again.
- Adjust both door springs to the same tension.
- Continue moving the spring pin until door is balance.

Installation Instruction

STEP 2 – ADJUST LEVELING LEGS

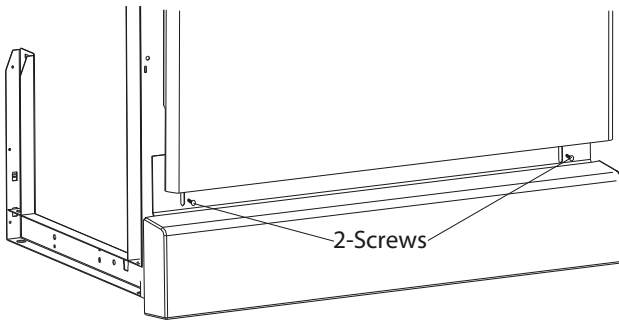
- Move the dishwasher close to the installation location and lay it on its back.



- Measure installation height and dishwasher height. Extend leveling legs out from the dishwasher base, 1/4" less than installation height.

STEP 3 – REMOVE TOEKICK

- Remove the 2 toekick screws. Lift off the 2 piece toekick.



NOTE: You may have to open the dishwasher door to access the toekick screws.

⚠ CAUTION:

Dishwasher may tip forward if the door is opened.

⚠ PRECAUCIÓN:

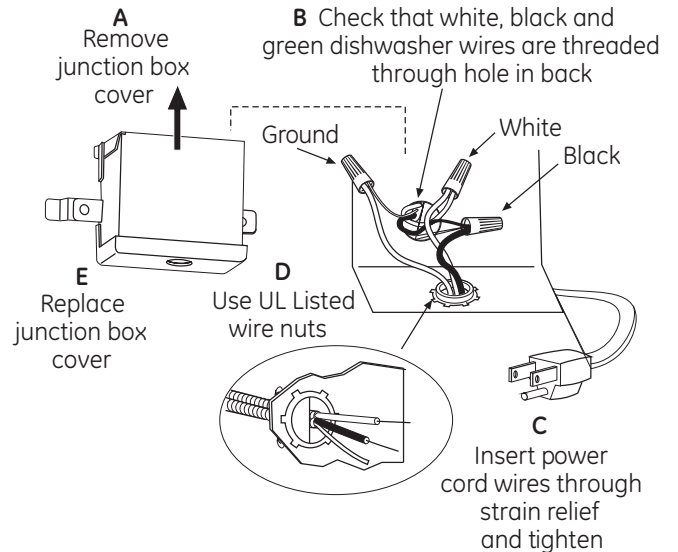
El lavavajillas se puede caer hacia delante si la puerta es abierta.

STEP 4 – INSTALL POWER CORD

Skip this step if dishwasher will be direct wired.

The power cord and connections must comply with the National Electrical Code, Section 422 and/or local codes and ordinances.

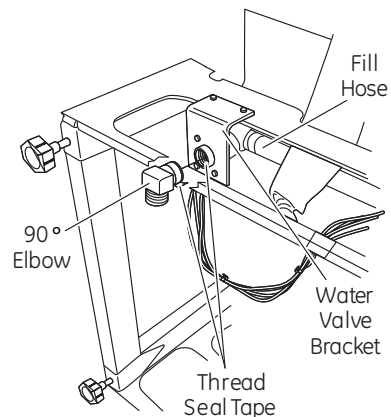
Recommended power cord length is 54" min. and 64" max.



Connect incoming power cord white (or ribbed) to dishwasher white. Black (or smooth) to black. Ground to dishwasher green wire. Use UL Listed wire nuts of appropriate size. Replace junction box cover. Be sure wires are not pinched under the cover.

STEP 5 – INSTALL 90° ELBOW

- Wrap 90° elbow with thread seal tape on both threads.
- Install a 90° elbow onto the water valve.

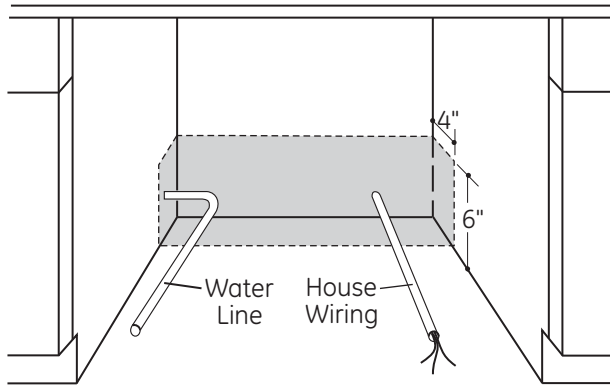


- Do not over tighten 90° elbow, water valve bracket could bend or water valve fitting could break.
- Position the end of the elbow to face the rear of the dishwasher.

Installation Instructions

STEP 6 – POSITION WATER LINE AND HOUSE WIRING

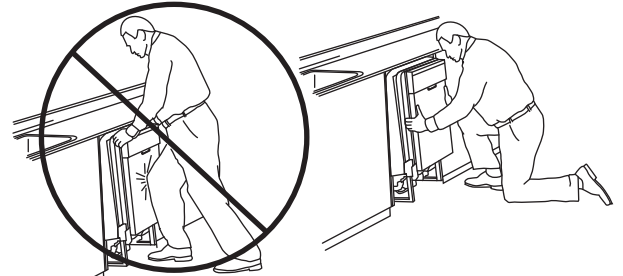
- Position water supply line and house wiring on the floor of the opening to avoid interference with base of dishwasher and components under dishwasher.



STEP 8 – SLIDE DISHWASHER PARTIALLY INTO CABINET

IMPORTANT – Do not push against front panel with knees. Damage will occur.

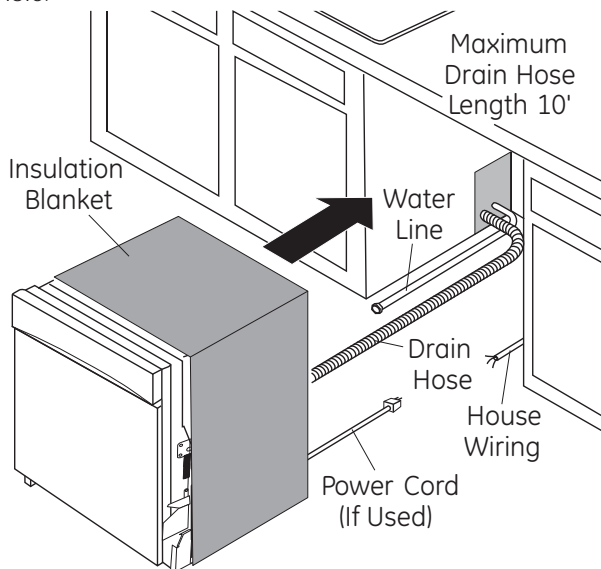
- Slide dishwasher into the opening a few inches at a time.



Do not push against front door panel with knee. Damage to the door panel will occur.

STEP 7 – INSERT DRAIN HOSE THROUGH CABINET

- Upright the dishwasher and position in front of the opening. Insert drain hose into cabinet wall hole. If a power cord is used, guide the end through a separate hole.



TIP: Position water line and house wiring on the floor to avoid interference with base of dishwasher.

- As you proceed, pull the drain hose through the opening under the sink. Stop pushing when the dishwasher is a few inches forward of adjacent cabinetry.
- Make sure drain hose is not kinked under the dishwasher and there is no interference with the water line and wiring or any other component.

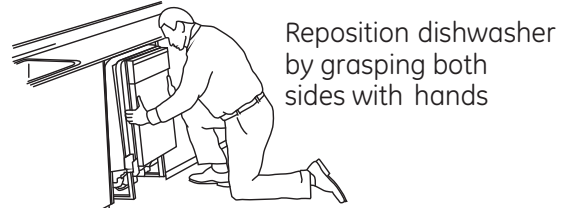
Installation Instructions

STEP 9 – POSITION DISHWASHER UNDER COUNTERTOP

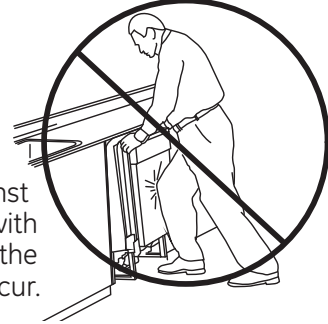
- Check to be sure that wires are secure under the dishwasher and not pinched or in contact with door springs or other dishwasher components.

TIP: Check tub insulation blanket. It should be positioned so it is not bunched up or interfering with door springs. Check by opening and closing the door.

- Dishwasher door should be flush with cabinet doors. Be careful not to dent front panel with knees or damage countertop or cabinets with dishwasher parts.



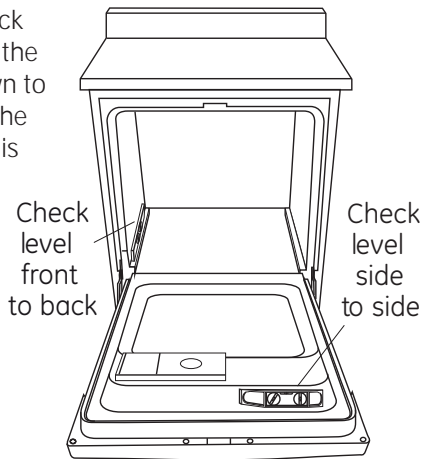
Do not push against front door panel with knee. Damage to the door panel will occur.



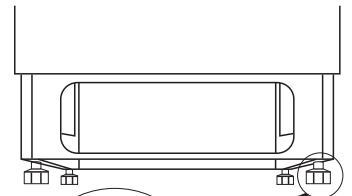
STEP 10 – LEVEL DISHWASHER

IMPORTANT - Dishwasher must be level for proper dish rack operation and wash performance.

Place level on door and rack track inside the tub as shown to check that the dishwasher is level.



- Level the dishwasher by adjusting the four leveling legs individually.
- Once the dishwasher is level, secure the four lock nuts against the frame.



TIP: Pull lower rack out, about halfway. Check to be sure the rack does not roll forward or backwards into dishwasher. If the rack rolls in either direction, the dishwasher must be leveled again.

- If door hits the tub, the dishwasher is not installed correctly. Adjust leveling legs to align door to tub.

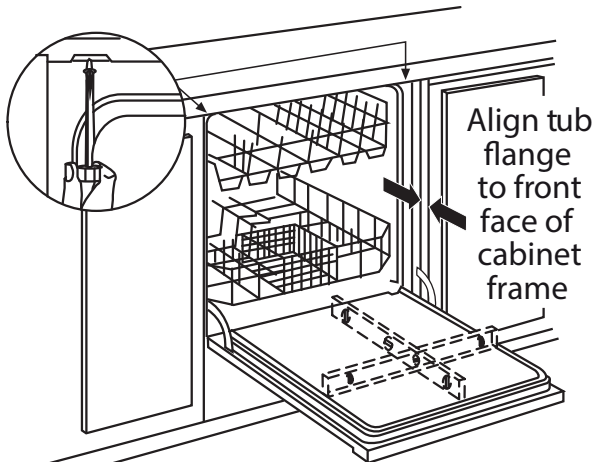
Installation Instructions

STEP 11 – SECURE DISHWASHER TO CABINET

The dishwasher must be secured to the countertop.

- Position the dishwasher so that the tub flange aligns with the front face of the cabinet frame.

IMPORTANT - Check to be sure the dishwasher is centered in the opening and there is no interference with adjacent cabinets when opening or closing the door.



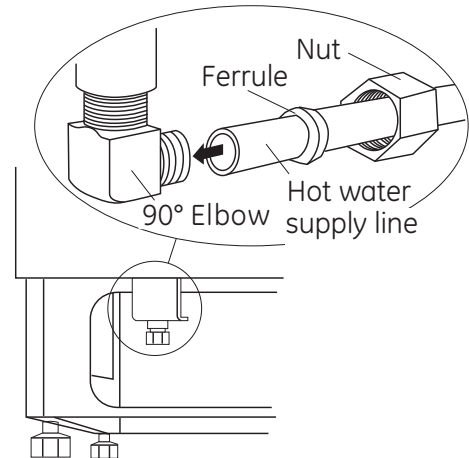
- Fasten the dishwasher to the underside of the countertop with the 2 Phillips screws provided.

IMPORTANT - Drive screws straight and flush. Protruding screw heads will scratch the top of the control panel and can interfere with door closing.

STEP 12 – CONNECT WATER SUPPLY

Connect water supply line to 90° elbow.

- Slide compression nut, then ferrule over end of water line.
- Insert water line into 90° elbow.
- Slide ferrule against elbow and secure with compression nut.



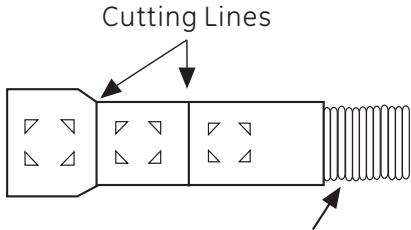
IMPORTANT - Check to be sure that door spring does not rub or contact the fill hose or water supply line. Test by opening and closing the door. Re-route the lines if a rubbing noise or interference occurs.

Installation Instructions

STEP 13 – CONNECT DRAIN LINE

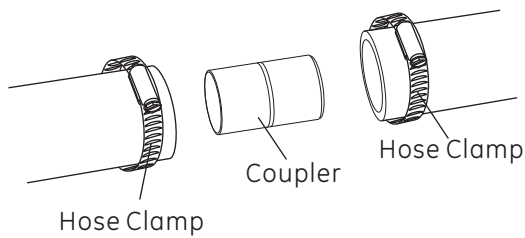
FOLLOW ALL LOCAL CODES AND ORDINANCES.

The drain hose molded end will fit 5/8", 3/4" or 1" diameter connections on the air gap, waste tee or disposer. Cut on the marked line as required for your installation.



IMPORTANT: Do not cut corrugated portion of hose

- If a longer drain hose is required, add up to 42" of length for a total of 10 ft. to the factory installed hose. Use 5/8" or 7/8" inside diameter hose and a coupler to connect the two hose ends. Secure the connection with hose clamps.



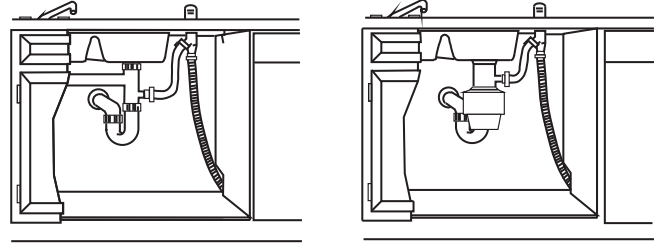
- Secure the drain hose to the air gap, waste tee or disposer with clamps.

NOTE: TOTAL DRAIN HOSE LENGTH MUST NOT EXCEED 10 FEET FOR PROPER DRAIN OPERATION.

DRAIN LINE INSTALLATION

- Connect drain line to air gap, waste tee or disposer using either previously determined method.

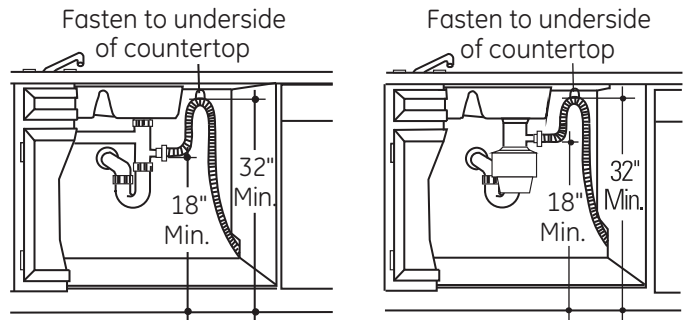
Method 1 - Air gap with waste tee or disposer



Waste Tee Installation

Disposer Installation

Method 2 - High drain loop with waste tee or disposer

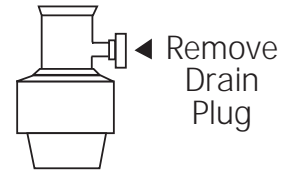


Waste Tee Installation

Disposer Installation

IMPORTANT -

When connecting drain line to disposer, check to be sure that drain plug has been removed. DISHWASHER WILL NOT DRAIN IF PLUG IS LEFT IN PLACE.



TIP: Avoid unnecessary service call charges. Always be sure disposer drain plug has been removed before attaching dishwasher drain hose to the disposer.

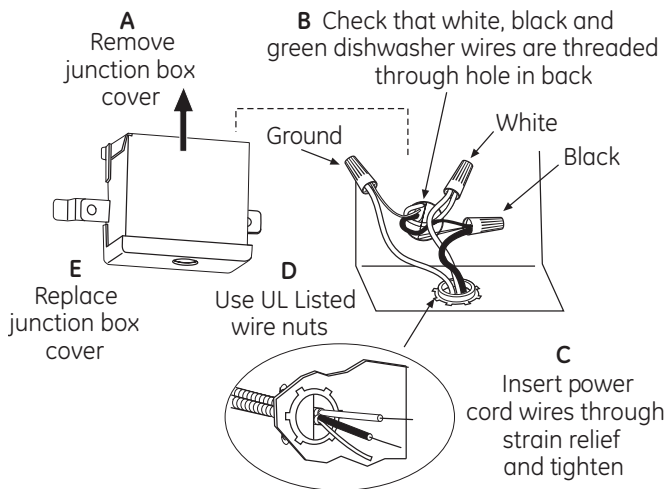
Installation Instructions

STEP 14 – CONNECT POWER SUPPLY

Skip this step if equipped with power cord.

Verify that power is turned off at the source.

- A. Remove junction box cover "A".
- B. Locate the three dishwasher wires, (white, black and green) with stripped ends. Insert dishwasher wires through the small hole in the junction box "B".
- C. Secure house wiring to the bottom of the junction box with a strain relief "C".
- D. Use wire nuts to connect incoming ground to green, white to white and black to black "D".
- E. Replace junction box cover "E". Check to be sure that wires are not pinched under the cover.



⚠ WARNING:

If house wiring is not 2-wire with ground, a ground must be provided by the installer. When house wiring is aluminum, be sure to use UL Listed anti-oxidant compound and aluminum to copper connectors.

STEP 15 – PRE-TEST CHECKLIST

Review this list after installing your dishwasher to avoid charges for a service call that is not covered by your Warranty.

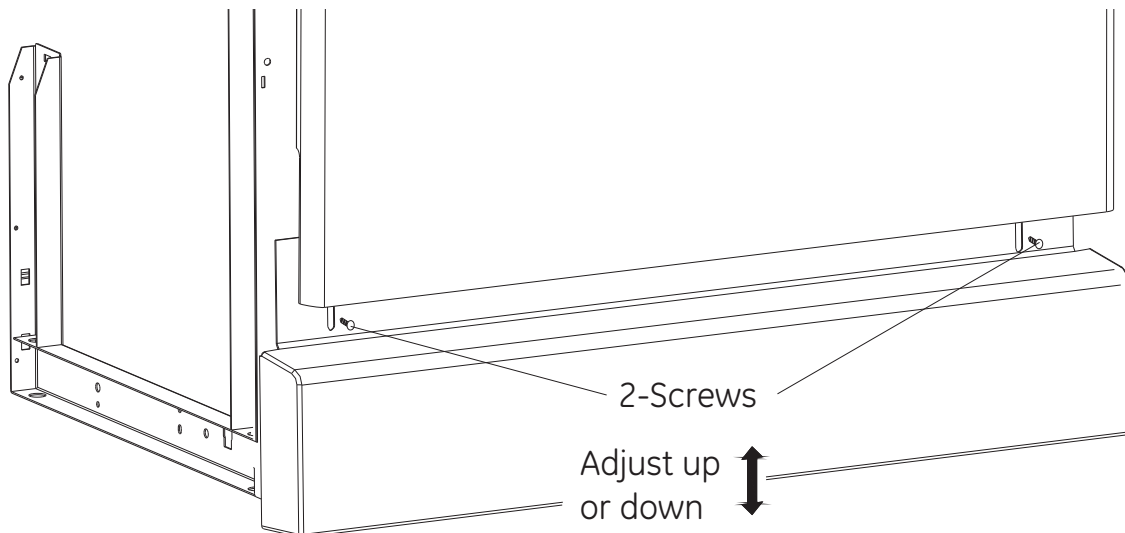
- Check to be sure Power is OFF.
- Open door and remove all foam and paper packaging.
- Locate the Owner's Manual in the literature package.
- Read the Owner's Manual for operating instructions.
- Check door opening and closing. If door does not open and close freely or tends to fall, check spring adjustments. See Step 1.
- Check to be sure that wiring is secure under the dishwasher, not pinched or in contact with door springs or other components. See Step 9.
- Check door alignment with tub. If door hits tub, level dishwasher. See Step 10.
- Pull lower rack out about half way. Check to be sure it does not roll backward or forward on the door. If the rack moves, adjust leveling legs. See Step 10.
- Check door alignment with cabinet. If door hits cabinet, reposition or relevel dishwasher. See Step 10.
- Verify water supply and drain lines are not kinked or in contact with other components. Contact with motor or dishwasher frame could cause noise. See Step 8.
- Turn on the sink hot water faucet and verify water temperature. Incoming water temperature must be between 120°F and 140°F. A minimum of 120°F temperature is required for best wash performance. See PREPARE HOT WATER LINE, page 5.
- Add 2 quarts of water to the bottom of the dishwasher to lubricate the pump seal.
- Turn on water supply. Check for leaks. Tighten connections if needed.
- Remove protective film if present from the control panel and door.

Installation Instructions

STEP 16 – DISHWASHER WET TEST

- Turn on power supply or plug power cord into outlet.
- Turn on dishwasher by pressing any button with the door open.
- Select **Normal** cycle.
- Press **Start/Reset** and close the door within 4 seconds. There will be a 5 second pause, followed by a 60 second pump-out.
- Check to be sure that water enters the dishwasher. If water does not enter the dishwasher, check to be sure that water and power are turned on.
- Check for leaks under the dishwasher. If a leak is found, turn power supply off, then tighten connections. Restore power after leak is corrected.
- Check for leaks around the door. A leak around the door could be caused by door rubbing or hitting against adjacent cabinetry. Reposition the dishwasher if necessary. See step 11.
- The dishwasher will drain about 12 minutes after the first fill. Check drain lines. If leaks are found, turn power off and correct plumbing as necessary. Restore power after corrections are made. See Step 13.
- Open dishwasher door and make sure most of the water has drained. If not, check that disposer plug has been removed and/or air gap is not plugged. See Step 13. Also check drain line for kinking.
- Run the dishwasher through another fill and drain cycle. Check for leaks and correct if required.

STEP 17 – REPLACE TOEKICK



Install 2 toekick screws to fasten toekick. Allow the toekick to touch the floor. **NOTE:** You may have to open the dishwasher door to access the toekick screws.

STEP 18 – LITERATURE

Be sure to leave complete literature package and Installation Instructions with consumer.



Directives d'installation

Lave-vaisselle encastré

Pour toute question, composez le 800.561.3344 ou visitez notre site Web:
www.electromenagersge.ca

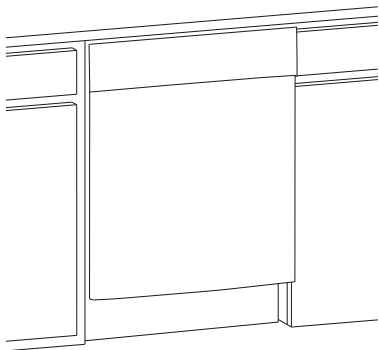


AVANT DE COMMENCER

Veuillez lire attentivement toutes les directives qui suivent.

⚠ AVERTISSEMENT :

- Avant de commencer l'installation, coupez toute alimentation menant de l'appareil au disjoncteur ou au fusible. Dans le cas contraire, vous pourriez être victime d'une décharge électrique.
- Pour réduire les risques de choc électrique, d'incendie ou de blessures, l'installateur doit s'assurer que le lave-vaisselle est complètement encastré au moment de l'installation.
- Un branchement inadéquat du conducteur de mise à la terre peut présenter des risques de choc électrique. Si vous n'êtes pas certain que l'appareil est correctement mis à la terre, consultez un réparateur ou un électricien qualifié. Si le câblage électrique de la résidence n'est pas constitué de deux fils plus un fil de mise à la terre, l'installateur doit installer un fil de mise à la terre. Si le câblage électrique de la résidence est en aluminium, utilisez un agent antioxydant et des connecteurs pour raccords « aluminium-cuivre » homologués UL.
- Pour réduire les risques de choc électrique, d'incendie ou de blessures, l'installateur doit vérifier pour s'assurer que les fils ne sont pas pliés ou endommagés, que le câblage domestique est fixé au support de boîte de connexion par l'entremise d'un serre-câble et que toutes les connexions électriques faites au moment de l'installation (capuchons de connexion) se trouvent à l'intérieur du couvercle de la boîte de connexion.



POUR VOTRE SÉCURITÉ

Veuillez lire et observer toutes les mises en garde (AVERTISSEMENT et ATTENTION) données dans les présentes directives. Pour effectuer l'installation décrite dans les présentes directives, il faut porter des gants et des lunettes de sécurité.

IMPORTANT – Observez tous les codes et ordonnances en vigueur.

- **Note à l'installateur** – Veuillez laisser les présentes directives au consommateur pour l'inspecteur local.
- **Note au consommateur** – Veuillez conserver les présentes directives avec votre Manuel d'utilisation pour consultation ultérieure.
- **Compétences requises** – L'installation de ce lave-vaisselle exige des compétences de base en mécanique, en électricité et en plomberie. **L'installateur est responsable de la qualité de l'installation. Toute défaillance du produit attribuable à une installation inadéquate n'est pas couverte par la Garantie de GE. Reportez-vous à la Garantie du produit.**
- **Durée de l'installation** – Entre 1 et 3 heures. L'installation d'un nouveau lave-vaisselle exige plus de temps que le remplacement d'un ancien modèle.

IMPORTANT – Le lave-vaisselle DOIT être installé de manière à ce qu'il puisse être sorti de son emplacement si des réparations sont nécessaires.

Il importe d'user de prudence lorsque l'appareil est installé ou déplacé afin de prévenir l'endommagement du cordon d'alimentation.

Si le lave-vaisselle que vous avez reçu est endommagé, communiquez immédiatement avec votre détaillant ou l'entrepreneur en construction.

Votre lave-vaisselle est un appareil qui chauffe l'eau.

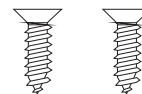
Accessoires facultatifs – Reportez-vous au Manuel d'utilisation pour connaître les ensembles pour panneau décoratif personnalisé offerts.

**VEUILLEZ LIRE ATTENTIVEMENT
ET CONSERVER CES DIRECTIVES.**

Préparation pour l'installation

PIÈCES FOURNIES :

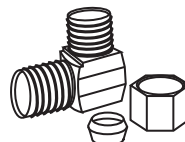
- Deux vis à bois à tête plate cruciforme numéro 8, de 1,6 cm de long pour bloquer le lave-vaisselle sur le dessous du comptoir (dans la documentation).



Vis spéciales à tête cruciforme

MATÉRIAUX NÉCESSAIRES :

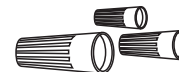
- Bague, écrou de compression et coude à angle droit (filetage externe de 3/8 po à une extrémité, l'autre extrémité correspondant à l'alimentation d'eau)
- Ruban d'étanchéité de filetage
- Serre-fils sur la liste UL (3)



Coude à angle droit, bague et écrou de compression



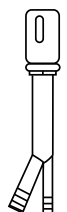
Ruban d'étanchéité de filetage



Serre-fils (3)

MATÉRIAUX UNIQUEMENT REQUIS EN CAS D'INSTALLATION INITIALE :

- Dispositif anti-siphon pour le tuyau de vidange, si nécessaire
- Raccord en té pour la plomberie d'égout, si nécessaire
- Câble électrique ou cordon d'alimentation
- Colliers de tuyau à vis
- Dispositif de réduction de tension pour les branchements électriques
- Robinet
- Conduite d'eau en cuivre de 3/8 po minimum
- Tuyau de vidange GPF10L (longueur de 3 m [10 pi]) si nécessaire



Dispositif anti-siphon



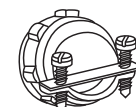
Raccord en té d'égout



Câble électrique (ou cordon d'alimentation, si nécessaire)



Collier de tuyau à vis



Dispositif de réduction de tension



Robinet



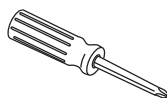
Tuyau d'eau chaude



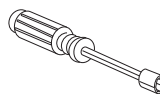
Manchon

OUTILS NÉCESSAIRES :

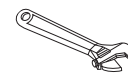
- Tournevis cruciforme
- Tournevis à douille de 1/4 po et 5/16 po
- Clé à molette de 15 cm (6 po)
- Niveau
- Équerre de menuisier
- Mètre ruban
- Lunettes de sécurité
- Lampe de poche
- Seau pour attraper l'eau lors de la purge du tuyau
- Gants



Tournevis cruciforme



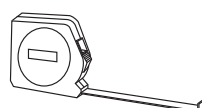
Tournevis à douille de 5/16 po et 1/4 po



Clé à molette de 15 cm (6 po)



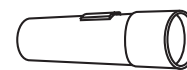
Niveau



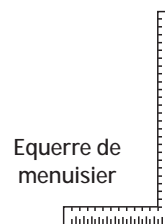
Mètre ruban



Lunettes de sécurité



Lampe de poche



Equerre de menuisier



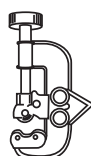
Seau



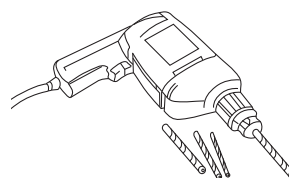
Gants

POUR LES INSTALLATIONS INITIALES SEULEMENT :

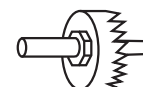
- Coupe-tube
- Perceuse et mèches appropriées
- Scie-cloche



Coupe-tube



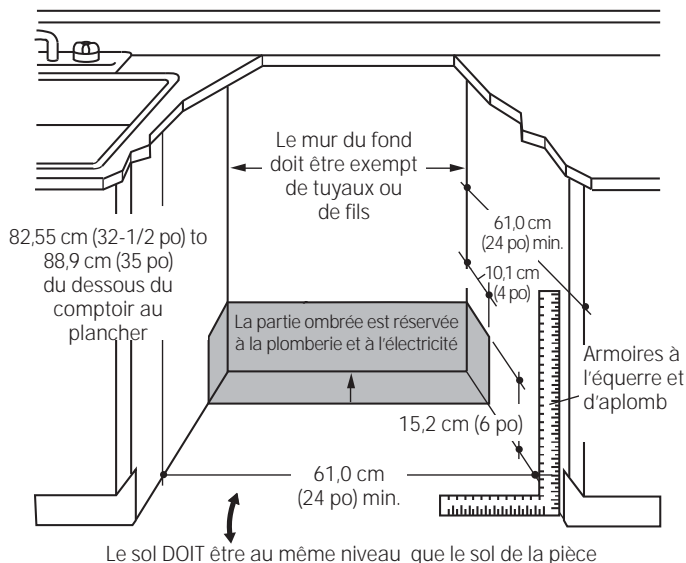
Perceuse et mèches appropriées



Scie-cloche

Préparation pour l'installation

PRÉPARATION DE L'OUVERTURE DANS LES ARMOIRES



- L'ouverture dans les armoires doit mesurer au moins 61,0 cm (24 po) de largeur et de profondeur, et environ 87,6 cm (34-1/2 po) de hauteur à partir du plancher jusqu'au-dessous du comptoir.

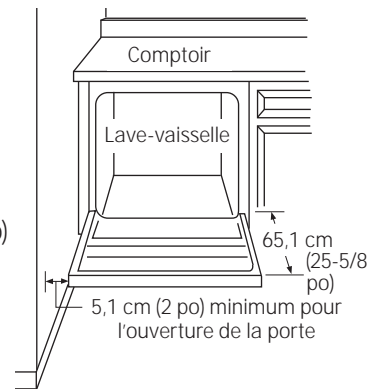
⚠ AVERTISSEMENT:

Pour réduire les risques de choc électrique, d'incendie ou de blessures, l'installateur doit s'assurer que le lave-vaisselle est complètement encastré au moment de l'installation.

- Le lave-vaisselle doit être installé de façon à ce que le boyau de vidange mesure au maximum 3,05 mètres (10 pieds) pour assurer une vidange adéquate.
- Le dessus, les côtés et l'arrière du lave-vaisselle doivent être complètement dissimulés à l'intérieur de l'ouverture. Le lave-vaisselle ne doit soutenir aucune partie de la structure des armoires.

DÉGAGEMENTS:

- Lors de l'installation dans un coin, compter 5,1 cm (2 po) min de dégagement entre le lave-vaisselle et le placard, les murs ou appareils adjacents. Compter 65,1 cm (25-5/8 po) de dégagement minimum depuis le devant du lave-vaisselle pour l'ouverture de la porte.



EXIGENCES RELATIVES AU SYSTÈME DE VIDANGE

- Veuillez observer les ordonnances et les codes locaux en vigueur.
- Le boyau de vidange doit avoir une longueur maximale de 3,66 mètres (12 pieds).
- La hauteur maximum du drain est 72 po.

REMARQUE: Il faut installer une coupure anti-refoulement si le raccord au broyeur à déchets ou au raccord en T se trouve à moins de 46 cm (18 po) au-dessus du plancher afin d'éviter un siphonage.

CHOIX DE LA MÉTHODE DE VIDANGE

Le type d'installation de vidange dépend des conditions suivantes.

- Les ordonnances ou codes locaux en vigueur exigent-ils une coupure anti-refoulement?
- Le raccord en T se trouve-t-il à moins de 46 cm (18 po) du plancher?

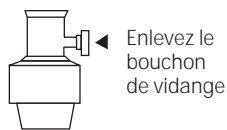
Si vous répondez OUI à l'une ou l'autre de ces questions, vous DEVEZ utiliser la Méthode n° 1.

Si vous répondez NON, vous pouvez employer l'une ou l'autre des méthodes.

PRÉPARATION DES ARMOIRES

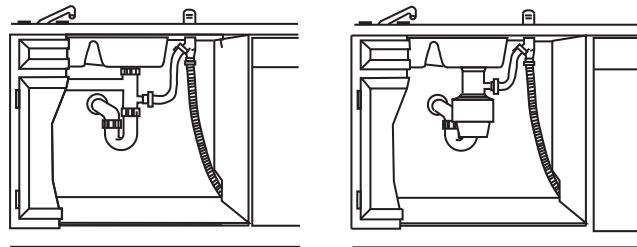
- Percez un trou de 3,8 cm (1-1/2 po) de diamètre dans la paroi de l'armoire qui se trouve dans la partie ombrée de la section PRÉPARATION DE L'OUVERTURE DANS LES ARMOIRES pour le boyau de vidange. Assurez-vous que l'orifice ne présente pas d'arêtes vives.

IMPORTANT – Lorsque vous branchez le boyau de vidange à un broyeur à déchets, assurez-vous d'enlever le bouchon de vidange. LE LAVE-VAISSELLE NE POURRA PAS SE VIDER SI VOUS LAISSEZ LE BOUCHON EN PLACE.



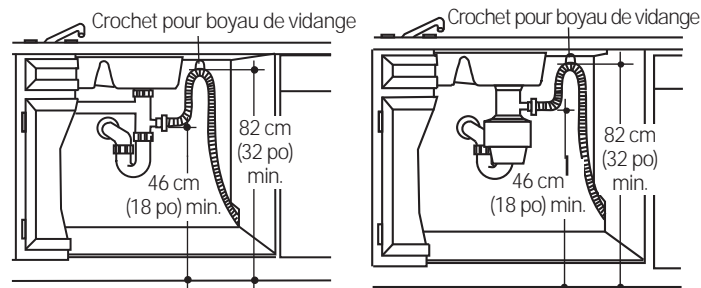
Méthode n° 1 – Coupure anti-refoulement avec raccord en T ou broyeur à déchets

Il faut installer une coupure anti-refoulement lorsqu'elle est exigée par les ordonnances et les codes locaux en vigueur. Installer le broyeur ou le té de vidange et le dispositif anti-siphon conformément aux instructions du fabricant.



Méthode n° 2 – Boucle de vidange élevée avec raccord en T ou broyeur à déchets

Trouver une méthode pour fixer le boyau de vidange sur le dessous du comptoir. Installer le broyeur ou le té de vidange conformément aux instructions du fabricant.



Conseil: Pour éviter des frais de réparation inutiles.

Assurez-vous d'enlever le bouchon de vidange du broyeur à déchets avant d'y brancher le boyau de vidange du lave-vaisselle.

Préparation pour l'installation - Alimentation électrique

PRÉPARATION DU CÂBLAGE ÉLECTRIQUE

⚠ AVERTISSEMENT:

- Avant de commencer l'installation, coupez toute alimentation menant de l'appareil au disjoncteur ou au fusible. Dans le cas contraire, vous pourriez être victime d'une décharge électrique.

Alimentation électrique

- Cet appareil doit être alimenté par un courant de 120 V et 60 Hz, et branché à un circuit individuel correctement mis à la terre et protégé par un disjoncteur de 15 ou 20 ampères ou un fusible temporisé.
- Le câble électrique doit posséder deux fils, plus un fil de mise à la terre, et résister à une température nominale de 75 °C (176 °F).
- Si votre alimentation électrique ne répond pas à ces exigences, appelez un électricien agréé avant de poursuivre l'installation.

Mise à la terre – Branchement permanent

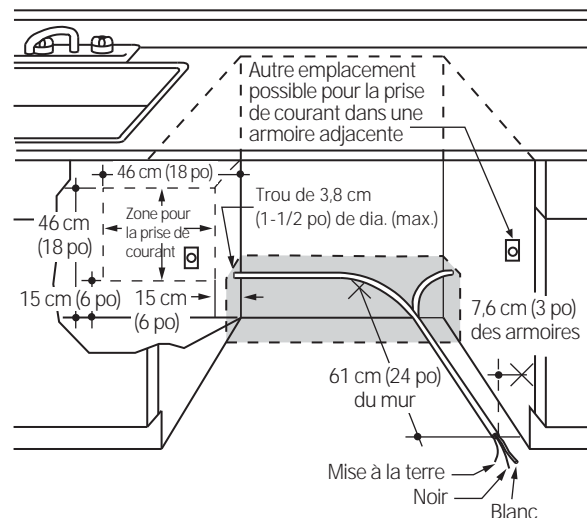
Cet appareil doit être branché à un réseau électrique permanent mis à la terre. Sinon, il faut installer un conducteur de mise à la terre avec les conducteurs du circuit et le brancher à la borne de mise à la terre du réseau ou au fil de mise à la terre de l'appareil.

Mise à la terre – Modèles dotés d'un cordon d'alimentation

Cet appareil doit être mis à la terre. En cas de mauvais fonctionnement ou de défaillance, la mise à la terre réduira les risques de choc électrique en fournissant au courant électrique un circuit de moindre résistance. Cet appareil est doté d'un cordon d'alimentation possédant un conducteur de mise à la terre et une fiche de mise à la terre. La fiche doit être branchée dans une mise appropriée, installée et mise à la terre en conformité avec tous les codes locaux et ordonnances en vigueur.

⚠ AVERTISSEMENT:

- Un branchement inadéquat du conducteur de mise à la terre peut présenter des risques de choc électrique. Si vous n'êtes pas certain que l'appareil est correctement mis à la terre, consultez un réparateur ou un électricien qualifié. Si le câblage électrique de la résidence n'est pas constitué de deux fils plus un fil de mise à la terre, l'installateur doit installer un fil de mise à la terre. Si le câblage électrique de la résidence est en aluminium, utilisez un agent antioxydant et des connecteurs pour raccords « aluminium-cuivre » homologués UL.



Dans le cas des modèles dotés d'un cordon d'alimentation:

Ne modifiez pas la fiche fournie avec l'appareil; si vous ne pouvez pas la brancher dans la prise de courant, faites installer une prise de courant appropriée par un technicien qualifié.

Préparation des armoires et cheminement des fils

- Le câblage peut pénétrer dans l'ouverture par l'un ou l'autre des côtés, l'arrière ou le plancher, à l'intérieur de la zone ombrée illustrée dans la figure ci-dessus et définie dans la section **PRÉPARER LE LOGEMENT DU LAVE-VAISSELLE**.
- Percez un trou de 3,8 cm (1-1/2 po) de diamètre au maximum pour le passage du câble électrique. Le bord du trou doit être lisse et arrondi. Les fils électriques pour le branchement permanent peuvent passer par le même trou que le boyau de vidange et la conduite d'eau chaude, si c'est plus pratique. Si le trou est pratiqué dans une paroi en métal, les bords de l'orifice doivent être recouverts d'un passe-fils pour protéger les fils.

REMARQUE : Le cordon d'alimentation doté d'une fiche doit passer par un autre trou.

Branchement électrique du lave-vaisselle

Le branchement électrique s'effectue du côté avant droit du lave-vaisselle.

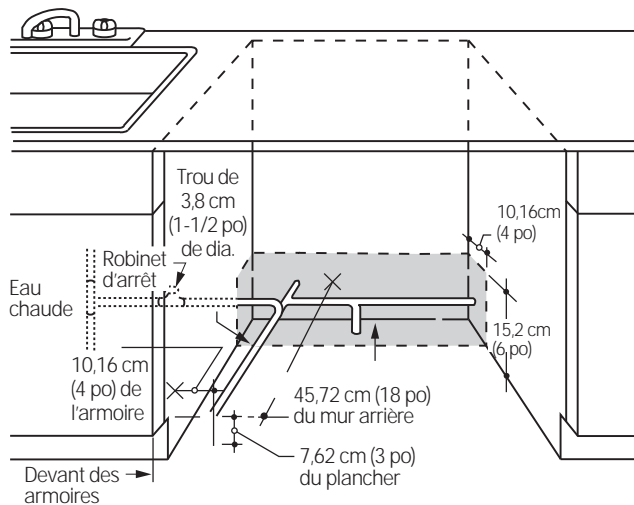
- Dans le cas d'un branchement permanent, le câble doit être acheminé de la façon indiquée à la figure ci-dessus. Le câble doit avoir une longueur minimale de 61 cm (24 po) à partir du mur arrière.
- Dans le cas d'un branchement avec un cordon d'alimentation, installez une prise de courant mise à la terre à trois broches sur la paroi de l'armoire adjacente, entre 15 cm (6 po) et 46 cm (18 po) de l'ouverture, et entre 15 cm (6 po) et 46 cm (18 po) du plancher.
- Utilisez uniquement **WXO9X70910** (1,65 m (5 pi 5 po de long)) ou **WXO9X70911** (2,41 m (7 pi 11 po de long)) Trousse de cordon d'alimentation pour lave-vaisselle. N'utilisez pas une rallonge électrique ou un adaptateur de fiche avec cet appareil.

Préparation pour l'installation - Alimentation d'eau chaude

PRÉPARATION DE L'ALIMENTATION EN EAU CHAUDE

REMARQUE: GE recommande l'utilisation d'un tuyau en cuivre pour la conduite d'alimentation en eau, mais vous pouvez choisir un boyau flexible tressé no **WX28X326** de GE.

- La conduite d'alimentation en eau (tuyau de cuivre de 9,5 mm [3/8 po] ou boyau flexible tressé) peut entrer du côté gauche, du côté droit, de l'arrière ou du plancher dans la partie ombrée indiquée dans la figure.
- La conduite d'alimentation en eau doit passer dans le même trou que le câble électrique et le boyau de vidange. Ou vous pouvez percer un trou supplémentaire de 3,8 cm (1-1/2 po) de diamètre pour le passage de la conduite d'eau. Si l'appareil est doté d'un cordon d'alimentation pourvu d'une fiche, la conduite d'eau chaude ne doit pas passer par le même trou que le cordon d'alimentation.

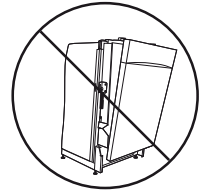


Raccordement de la conduite d'eau chaude

- Si vous utilisez un boyau flexible tressé, étiquetez le boyau et indiquez la date d'installation à des fins de référence. Les boyaux flexibles tressés, coudés et joints doivent être remplacés tous les 5 ans.
- REMARQUE :** Certaines canalisations d'eau souples tressées contiennent un clapet de non-retour qui peut arrêter le remplissage du lave-vaisselle.
- Coupez l'alimentation en eau.
- Installez un robinet d'arrêt à un endroit accessible, par exemple sous l'évier. (Cette installation est facultative, mais fortement recommandée, et peut même être exigée par les codes locaux en vigueur.)
- Le raccordement de la conduite d'eau s'effectue du côté gauche du lave-vaisselle. Installez la conduite d'eau chaude en utilisant un tuyau en cuivre de 9,5 mm (3/8 po) ou plus ou un boyau flexible tressé. Acheminez la conduite d'eau de la façon indiquée dans la figure et amenez-la vers l'avant à au moins 45,72 cm (18 po) du mur arrière.
- Réglez le chauffe-eau à une température variant entre 49 °C (120 °F) et 60 °C (140 °F).
- Rincez la conduite d'eau pour éliminer tous les débris. Recueillez l'eau et les débris à l'aide d'un seau.
- La pression de la conduite d'alimentation en eau chaude doit varier entre 1,4 bar (20 lb/po²) et 8,3 bars (120 lb/po²).

⚠ ATTENTION:

Ouvrir la porte fait basculer le lave-vaisselle vers l'avant. Ne pas ouvrir pas la porte avant d'être prêt à installer le lave-vaisselle. S'il est nécessaire d'ouvrir la porte, maintenir fermement le dessus du lave-vaisselle d'une main et tenir la porte de l'autre main.



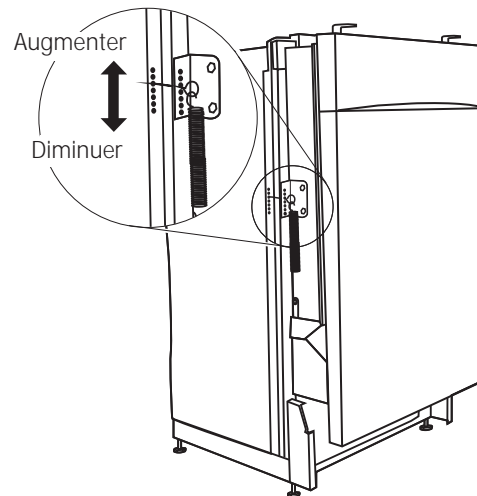
AVANT DE COMMENCER



Identifier et mettre de côté le paquet contenant 2 vis de fixation au comptoir à tête cruciforme et 2 vis supplémentaires de plaque du bas (dans la documentation).

ÉTAPE 1 – VÉRIFICATION DE L'ÉQUILIBRAGE DE LA PORTE

Pour vérifier l'équilibrage de la porte, tenir fermement le dessus du lave-vaisselle.

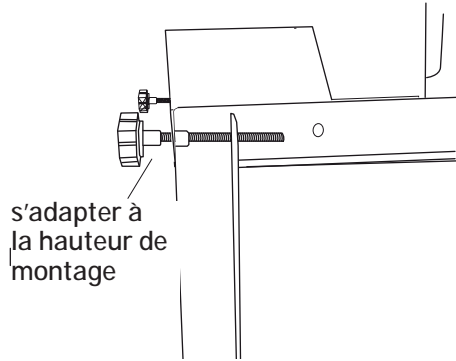


- Ouvrir lentement la porte, si la porte retombe lorsqu'elle est relâchée, augmenter la tension du ressort. Si la porte se ferme lorsqu'elle est relâchée, diminuer la tension.
- Sortir des trous la goupille de réglage de ressort, l'insérer dans le trou juste au dessus ou juste en dessous et essayer de nouveau.
- Régler les deux ressorts de porte à la même tension.
- Continuer de déplacer la goupille de ressort jusqu'à ce que la porte soit équilibrée.

Installation du lave-vaisselle

ÉTAPE 2 – RÉGLAGE DES PIEDS DE MISE À NIVEAU

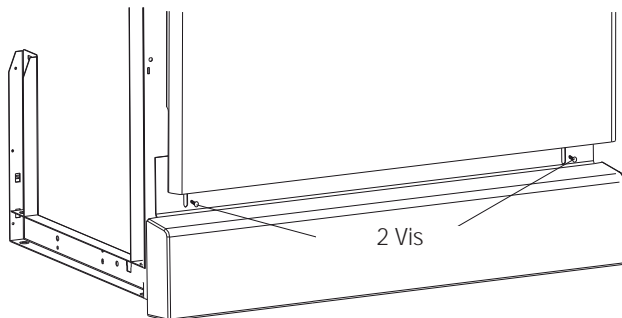
- Rapprocher le lave-vaisselle de l'emplacement d'installation et le poser sur son dos.



- Mesurer la hauteur d'installation et la hauteur du lave-vaisselle. Prolonger les pieds de mise à niveau de sous la base du lave-vaisselle, 6 mm de moins que la hauteur d'installation.

ÉTAPE 3 – DÉPOSE DE LA PLAQUE DU BAS

- Retirer les 2 vis de la plaque du bas. Soulever la plaque du bas en 2 parties.



REMARQUE : Il peut être nécessaire d'ouvrir la porte du lave-vaisselle pour accéder aux vis de la plaque du bas.

⚠ ATTENTION:

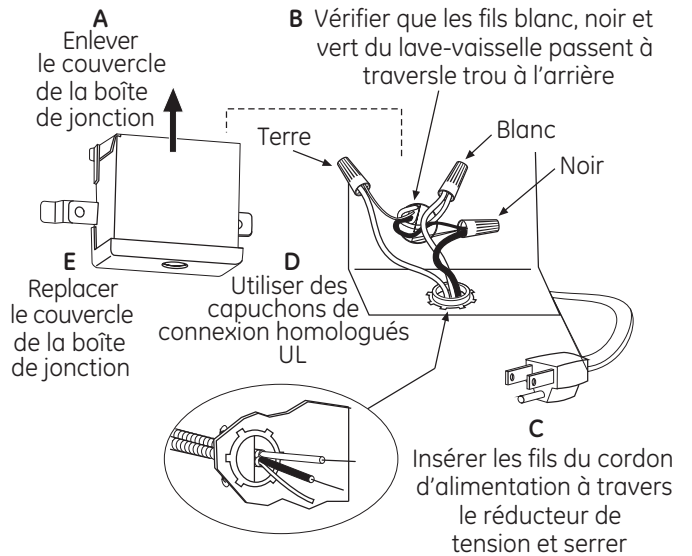
Le lave-vaisselle peut basculer vers l'avant si la porte est ouverte.

ÉTAPE 4 – INSTALLATION DU CORDON D'ALIMENTATION

Sauter cette étape si le lave-vaisselle doit être câblé directement.

Le cordon d'alimentation et les connexions doivent être conformes au code électrique national, section 422 et(ou) aux réglementations et ordonnances en vigueur.

Longueur de cordon d'alimentation recommandée de 1,37 m min. et de 1,63 m max.



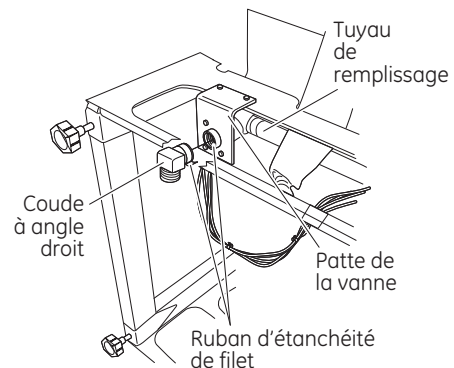
Connecter le fil blanc (ou nervuré) d'alimentation au fil blanc du lave-vaisselle, Le noir (ou lisse) au noir. La terre au fil vert du lave-vaisselle. Utiliser des connecteurs de fil homologués UL de la bonne dimension.

Remettre en place le couvercle de la boîte de jonction.

S'assurer que les fils ne sont pas pincés sous le couvercle.

ÉTAPE 5 : INSTALLATION DU COUDE À ANGLE DROIT

- Envelopper le coude de 90° avec du ruban pour joints filetés.
- Installer le coude à angle droit sur la vanne.

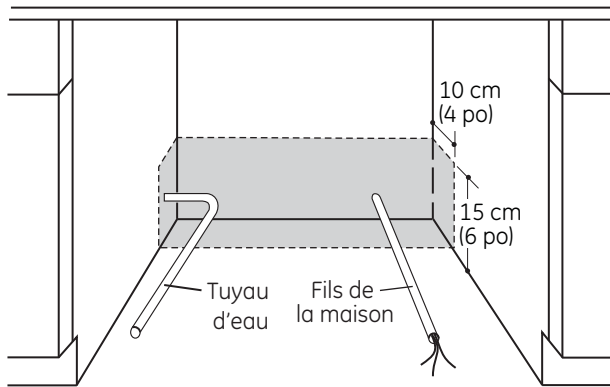


- Ne pas serrer en excès le coude à angle droit, ceci pourrait tordre la patte de la vanne ou briser le raccord de la vanne.
- Tourner le coude pour qu'il pointe vers l'arrière du lave-vaisselle.

Installation du lave-vaisselle

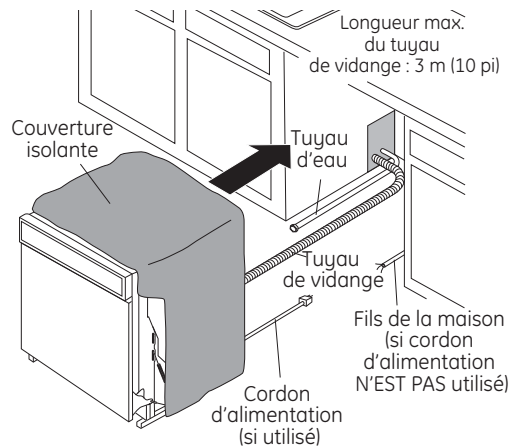
ÉTAPE 6 : MISE EN PLACE DU TUYAU D'EAU ET DES FILS DE LA MAISON

- Mettre en place le tuyau d'eau et les fils de la maison sur le sol de l'ouverture, afin d'éviter toute interférence avec la base du lave-vaisselle et des divers éléments sous celui-ci.



ÉTAPE 7 – INSERTION DU TUYAU DE VIDANGE DANS LE PLACARD

- Redresser le lave-vaisselle et le positionner devant l'ouverture. Insérer le tuyau de vidange dans le trou de la paroi du placard. Si un cordon d'alimentation est utilisé, en guider l'extrémité dans un trou distinct.

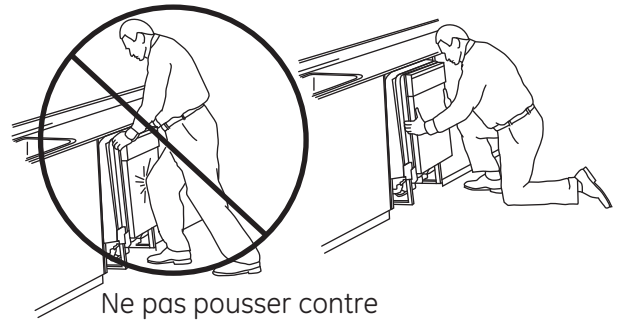


CONSEIL: Positionner la conduite d'eau et le câblage de la maison sur le sol pour éviter les interférences avec la base du lave-vaisselle.

ÉTAPE 8 : GLISSER LE LAVE-VAISSELLE À TROIS QUARTS DANS L'OUVERTURE DE L'ARMOIRE

IMPORTANT – Ne pas pousser contre le panneau avant avec le genou. ceci cause des dommages.

- Saisir le lave-vaisselle par les côtés et le glisser petit à petit dans l'ouverture.



Ne pas pousser contre le panneau de la porte avec le genou. Ceci endommage le panneau de la porte.

- Au fur et à mesure du progrès, tirer le tuyau de vidange dans l'ouverture sous l'évier. Arrêter de pousser quand le lave-vaisselle dépasse d'une dizaine de centimètres devant les armoires adjacentes.
- Vérifier que le tuyau de vidange n'est pas pincé sous le lave-vaisselle et qu'il n'y a aucune interférence entre le tuyau d'eau et les fils et tout autre élément.

Installation du lave-vaisselle

ÉTAPE 9 – POSITIONNEMENT DU LAVE-VAISSELLE SOUS LE COMPTOIR

- Vérifier que les fils sont bloqués sous le lave-vaisselle et qu'ils ne sont pas pincés ni en contact avec les ressorts de la porte ou avec d'autres pièces du lave-vaisselle.

CONSEIL: Vérifier la couverture d'isolation de la cuve. Elle doit être positionnée de manière à ne pas boucher et à ne pas interférer avec les ressorts de porte. Vérifier en ouvrant et fermant la porte.

- La porte du lave-vaisselle doit être au ras des portes de placard. Veiller à ne pas faire d'indentation dans le panneau avant avec les genoux et de ne pas endommager le comptoir ou les placards avec les pièces du lave-vaisselle.



Ne pas pousser contre le panneau de la porte avec le genou. Ceci endommage le panneau de la porte.

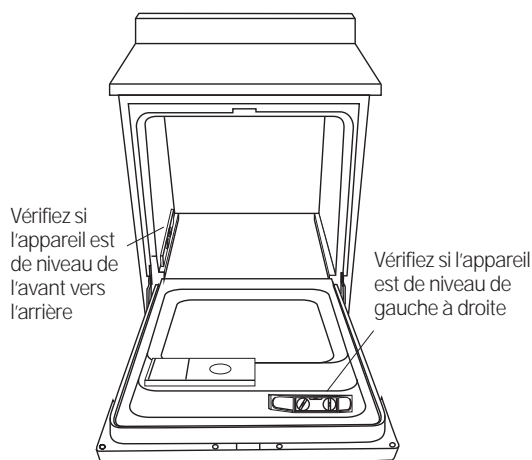


Replacer le lave-vaisselle en agrippant les deux côtés avec les mains

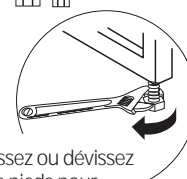
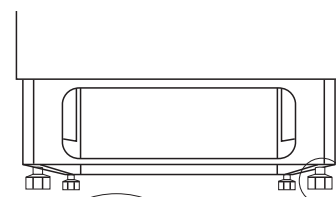
ÉTAPE 10 – MISE À NIVEAU DU LAVE-VAISSELLE

IMPORTANT – Le lave-vaisselle doit être de niveau pour assurer le bon fonctionnement des étagères et un bon lavage.

Placer le niveau sur la porte et sur la glissière d'étagère à l'intérieur de la cuve comme illustré pour vérifier que le lave-vaisselle est de niveau.



- Mettre le lave-vaisselle de niveau en ajustant chacun des quatre pieds de mise à niveau.
- Une fois le lave-vaisselle de niveau, serrer les quatre écrous freins contre le cadre.



Vissez ou dévissez les pieds pour mettre de niveau

CONSEIL: Sortir l'étagère inférieure, d'environ la moitié. Vérifier que l'étagère ne roule pas vers l'avant ou vers l'arrière du lave-vaisselle. Si l'étagère roule dans une des directions, il faut de nouveau mettre à niveau le lave-vaisselle.

- Si la porte cogne la cuve, le lave-vaisselle n'est pas installé correctement. Régler les pieds de mise à niveau pour aligner la porte sur la cuve.

Installation du lave-vaisselle

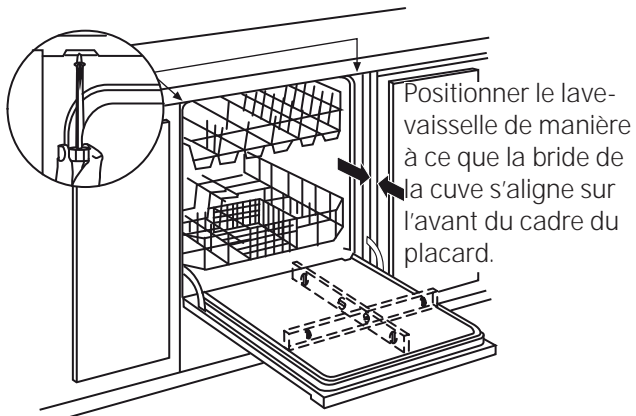
ÉTAPE 11 – FIXATION DU LAVE-VAISSELLE AU PLACARD

Le lave-vaisselle doit être bloqué sur le comptoir.

- Positionner le lave-vaisselle de manière à ce que la bride de la cuve s'aligne sur l'avant du cadre du placard.

IMPORTANT – Vérifier que le lave-vaisselle est centré dans l'ouverture et qu'il n'y a pas d'interférence avec les placards adjacents lors de l'ouverture et de la fermeture de la porte.

- Fixer le lave-vaisselle au dessous du comptoir avec les 2 vis cruciformes fournies.

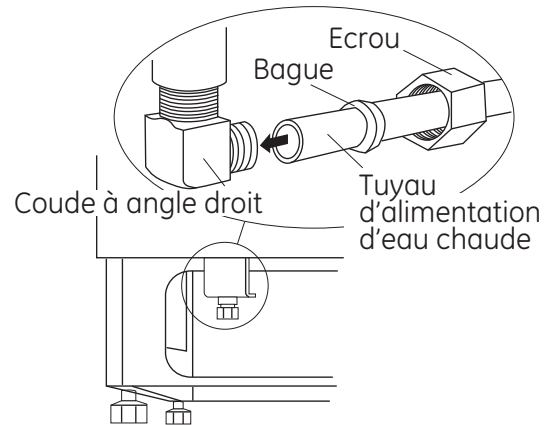


IMPORTANT – Visser les vis droites et à ras. Les têtes de vis qui dépassent érafleront le dessus du tableau de commande et peuvent gêner la fermeture de la porte.

ÉTAPE 12 : BRANCHEMENT DE L'ALIMENTATION D'EAU

Brancher le tuyau d'alimentation d'eau au coude à angle droit.

- Glisser l'écrou de compression et ensuite la bague sur l'extrémité du tuyau d'eau.
- Insérer le tuyau d'eau dans le coude à angle droit.
- Glisser la bague contre le coude et serrer l'écrou de compression.



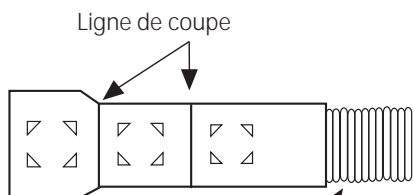
IMPORTANT – Ouvrir et fermer la porte pour vérifier que le ressort de la porte ne frotte pas ou n'est pas en contact avec le tuyau de remplissage ni le tuyau d'alimentation d'eau. Changer le passage des tuyaux s'il y a un bruit de frottement ou une interférence occurs.

Installation du lave-vaisselle

ÉTAPE 13 – RACCORDEMENT DU CONDUIT DE VIDANGE

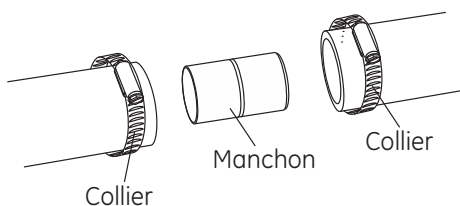
OBSERVER TOUTES LES RÉGLEMENTATIONS ET ORDONNANCES EN VIGUEUR.

L'extrémité moulée du tuyau de vidange s'ajuste dans des connexions de diamètre 5/8, 3/4 ou 1 po sur le dispositif anti-siphon, le té de vidange ou le broyeur. Couper sur le trait indiqué comme requis pour votre installation.



IMPORTANT: Il ne faut pas couper la portion ondulée du tuyau

- Si un tuyau de vidange plus long est nécessaire, ajouter 1,06 m au maximum pour un total de 3 m au tuyau installé en usine. Utiliser un tuyau de diamètre intérieur 5/8 ou 7/8 po et un coupleur pour connecter les deux extrémités du tuyau. Bloquer la connexion avec les colliers de tuyau.



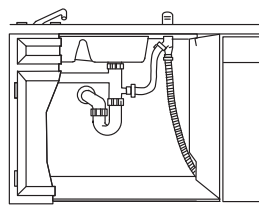
- Bloquer le tuyau de vidange au dispositif anti-siphon, au té de vidange ou au broyeur avec des colliers.

REMARQUE : LA LONGUEUR TOTALE DE TUYAU DE VIDANGE NE DOIT PAS DÉPASSER 3 M POUR ASSURER LE BON FONCTIONNEMENT DE LA VIDANGE.

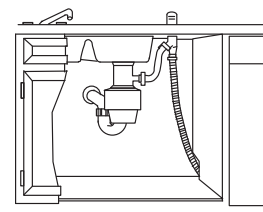
INSTALLATION DU TUYAU DE VIDANGE

- Brancher le tuyau de vidange sur le dispositif anti-siphon, le raccord en té d'égout ou le broyeur à déchets, en utilisant la méthode indiquée précédemment.

Méthode n° 1 – Dispositif anti-siphon avec raccord en té d'égout ou broyeur à déchets



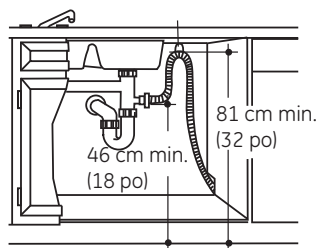
Installation avec un raccord en té d'égout



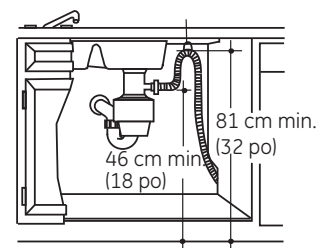
Installation avec un broyeur à déchets

Méthode n° 2 – Boucle de vidange élevée avec raccord en té d'égout ou broyeur à déchets

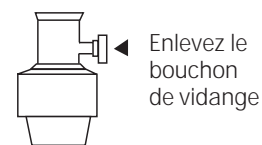
Installation avec un raccord en té d'égout



Installation avec un broyeur à déchets



IMPORTANT – En cas de branchement du tuyau d'égout au broyeur à déchets, vérifier que le bouchon de vidange a été enlevé. LE LAVE-VAISSELLE NE SE VIDE PAS SI LE BOUCHON EST EN PLACE.



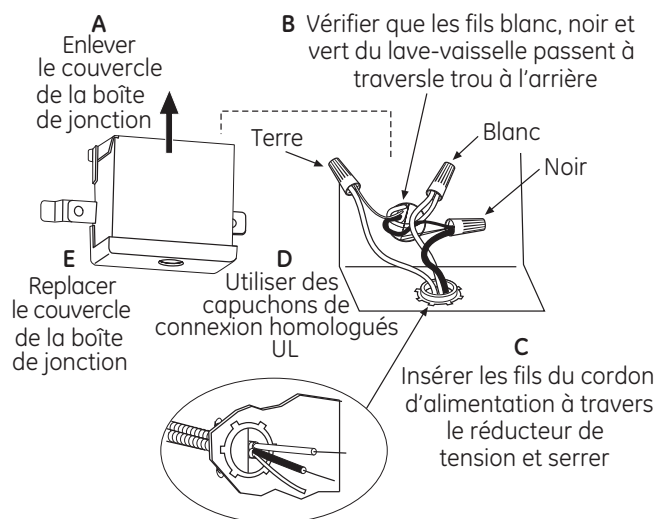
Conseil: Il faut éviter les frais d'intervention inutiles. Il faut toujours s'assurer que le bouchon de vidange a été enlevé avant de brancher le tuyau de vidange du lave-vaisselle au broyeur à déchets.

Installation du lave-vaisselle

ÉTAPE 14: BRANCHEMENT DE L'ALIMENTATION ÉLECTRIQUE

Sauter cette étape si le lave-vaisselle est équipé d'un cordon d'alimentation. Vérifier que le circuit est hors tension.

- A. Déposer le couvercle « A » de la boîte de jonction.
- B. Identifier les trois fils de lave-vaisselle (blanc, noir et vert) avec les extrémités dénudées. Insérer les fils du lave-vaisselle dans le petit trou dans la boîte de jonction « B ».
- C. Bloquer le câblage de la maison sur le bas de la boîte de jonction avec un réducteur de tension « C ».
- D. Utiliser des connecteurs de fil pour connecter la terre incidente au vert, le blanc au blanc et le noir au noir « D ».
- E. Remettre en place le couvercle « E » de la boîte de jonction, vérifier que les fils ne sont pas pincés sous le couvercle.



⚠ AVERTISSEMENT:

Si le circuit de la maison n'est pas un circuit à deux fils plus fil de terre, l'installateur doit installer un fil de terre. Quand le circuit de la maison est en aluminium, il faut prendre soin d'utiliser une pâte antioxydante et des connecteurs aluminium à cuivre sur la liste UL.

ÉTAPE 15 : LISTE DE VÉRIFICATION AVANT DE FAIRE LES ESSAIS

Examiner cette liste après l'installation du lave-vaisselle pour éviter les frais d'intervention qui ne sont pas couverts par la Garantie.

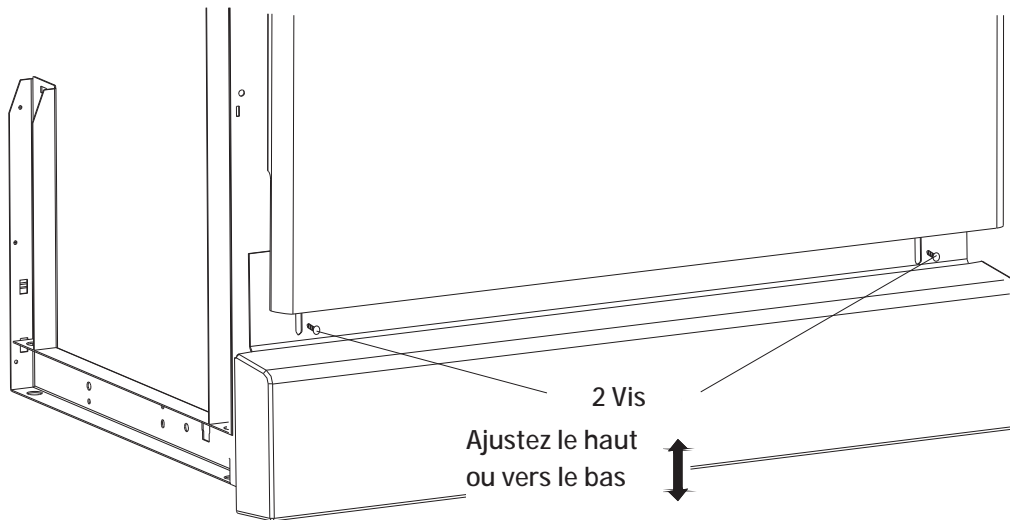
- Vérifier que le système est hors tension.
- Ouvrir la porte et enlever tout le conditionnement en mousse et papier.
- Identifier le manuel utilisateur dans la documentation.
- Lire les instructions d'utilisation dans le Manuel d'utilisation.
- Vérifier l'ouverture et la fermeture de la porte. Si la porte n'ouvre et ne ferme pas librement ou si elle a tendance à tomber, vérifier les réglages de ressort. Se reporter à l'étape 1.
- Vérifier que les fils sont bien en place sous le lave-vaisselle, qu'ils ne sont pas pincés ni en contact avec les ressorts de porte ni autres éléments. Consulter l'étape 9.
- Vérifier l'alignement de la porte par rapport au bac, et que le lave-vaisselle est de niveau. Consulter l'étape 10.
- Sortir l'égouttoir du bas à moitié chemin. Vérifier qu'il ne recule ni n'avance. Si l'égouttoir se déplace, régler les pieds de mise à niveau. Consulter l'étape 10.
- Veiller à ce que le ressort de porte ne soit pas en contact avec le tuyau de remplissage ou d'alimentation d'eau ou avec d'autres composants. Consulter l'étape 10.
- Vérifier que le tuyau d'alimentation d'eau et le tuyau de vidange ne sont pas pincés ni en contact avec d'autres composants. Le contact avec le moteur ou le lave-vaisselle peut causer des bruits. Consulter l'étape 8.
- Ouvrir le robinet d'eau chaude d'évier et vérifier la température de l'eau. L'eau d'alimentation doit avoir une température entre 49 °C et 60 °C (120 °F et 140 °F). Il faut une température d'au moins 49 °C (120 °F) pour obtenir le meilleur rendement du lave-vaisselle. Consulter PRÉPARATION DE L'ALIMENTATION EN EAU CHAUDE, page 5.
- Ajouter deux litres d'eau au fond du lave-vaisselle pour lubrifier le joint de la pompe.
- Ouvrir le robinet d'eau. Vérifier qu'il n'y a pas de fuites. Serrer les branchements selon le besoin.
- Enlever du panneau de commande et de la porte la pellicule de protection si elle est présente.

Installation du lave-vaisselle

ÉTAPE 16: ESSAI DU LAVE-VAISSELLE AVEC DE L'EAU

- Mettre le circuit sous tension ou brancher le cordon d'alimentation dans la prise de courant.
- Mettre le lave-vaisselle sous tension en pressant n'importe quel bouton, porte ouverte.
- Sélectionner le cycle **Normal**.
- Presser **Start/Reset (Démarrer/Redémarrer)** et fermer la porte dans un délai de 4 secondes. Il y aura une pause de 5 secondes, suivie d'une vidange de 60 secondes.
- Vérifier que l'eau entre dans le lave-vaisselle. Si l'eau n'entre pas dans le lave-vaisselle, vérifier que le robinet d'alimentation est ouvert et que le circuit est sous tension.
- Vérifier qu'il n'y a pas de fuites sous le lave-vaisselle. S'il y a une fuite, couper l'alimentation électrique et serrer les branchements. Remettre le lave-vaisselle sous tension après avoir éliminé les fuites.
- Vérifier qu'il n'y a aucune fuite autour de la porte. Une fuite autour de la porte peut être causée par un frottement de la porte ou un impact avec l'armoire adjacente. Repositionner le lave-vaisselle si nécessaire. Se reporter à Étape 11.
- Le lave-vaisselle peut vidanger environ 12 minutes après le premier remplissage. Inspecter les conduites de vidange. S'il y a des fuites, couper l'alimentation électrique et corriger la plomberie si besoin. Remettre sous tension une fois les corrections faites. Se reporter à Étape 13.
- Ouvrir la porte du lave-vaisselle et s'assurer que presque toute l'eau est évacuée. Sinon, vérifier que le bouchon du broyeur a été retiré et(ou) que le dispositif anti-siphon n'est pas bouché. Se reporter à Étape 13. Inspecter aussi la conduite de vidange en recherchant les tortillements.
- Régler le lave-vaisselle pour un autre cycle remplissage-vidange. Vérifier qu'il n'y a pas de fuite et corriger selon le besoin.

ÉTAPE 17 – REMISE EN PLACE DE LA PLAQUE DU BAS



Serrer les deux vis de fixation de plinthe. La plinthe doit demeurer en contact avec le sol pour assurer que le lave-vaisselle fonctionne en silence. **REMARQUE** : Il peut être nécessaire d'ouvrir la porte du lave-vaisselle pour accéder aux vis de la plaque du bas.

ÉTAPE 18 - DOCUMENTATION

S'assurer de laisser toutes les instructions et documentations au client.