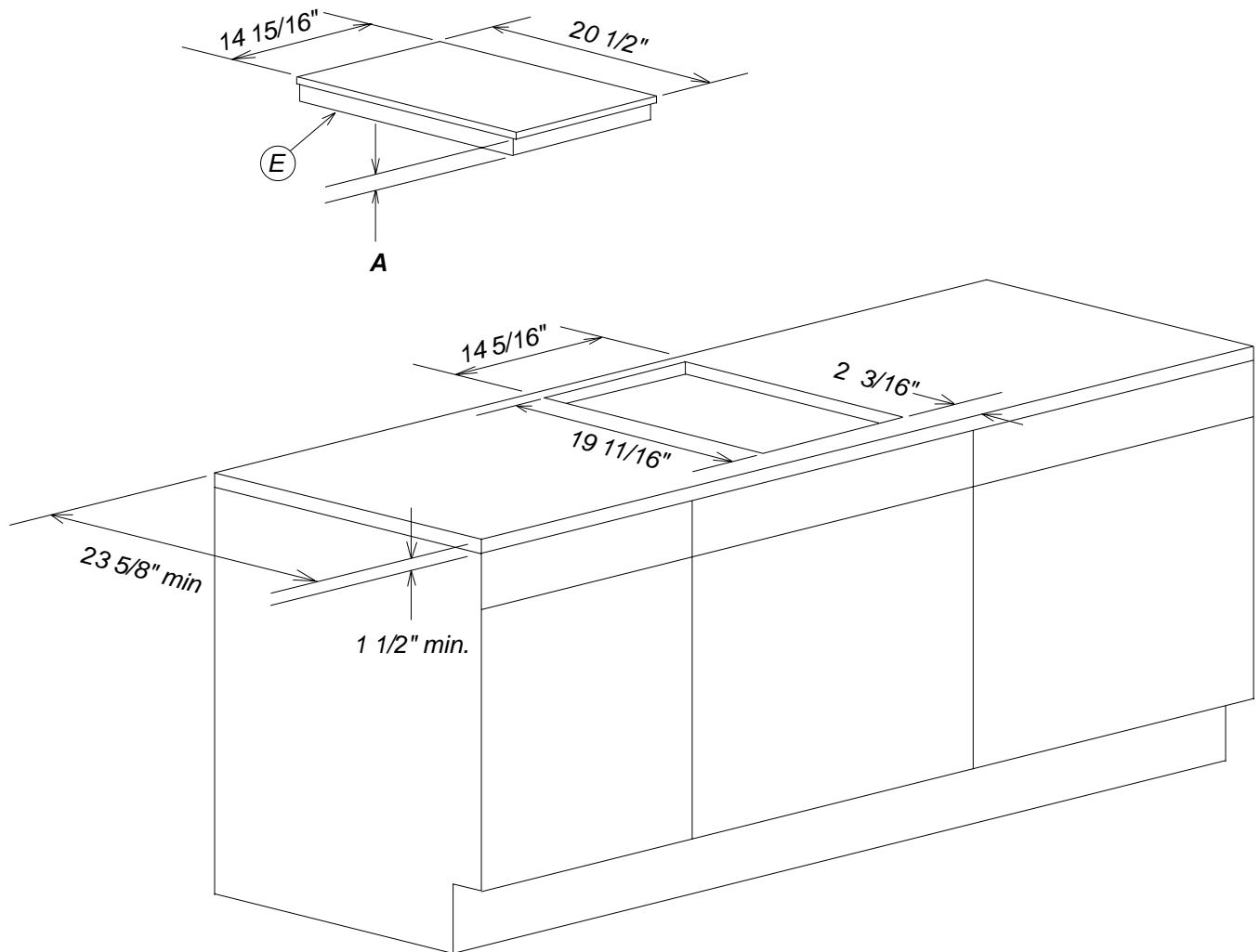


Product and Cut-out Dimensions CS1000 Series CombiSet Program Standard Width units

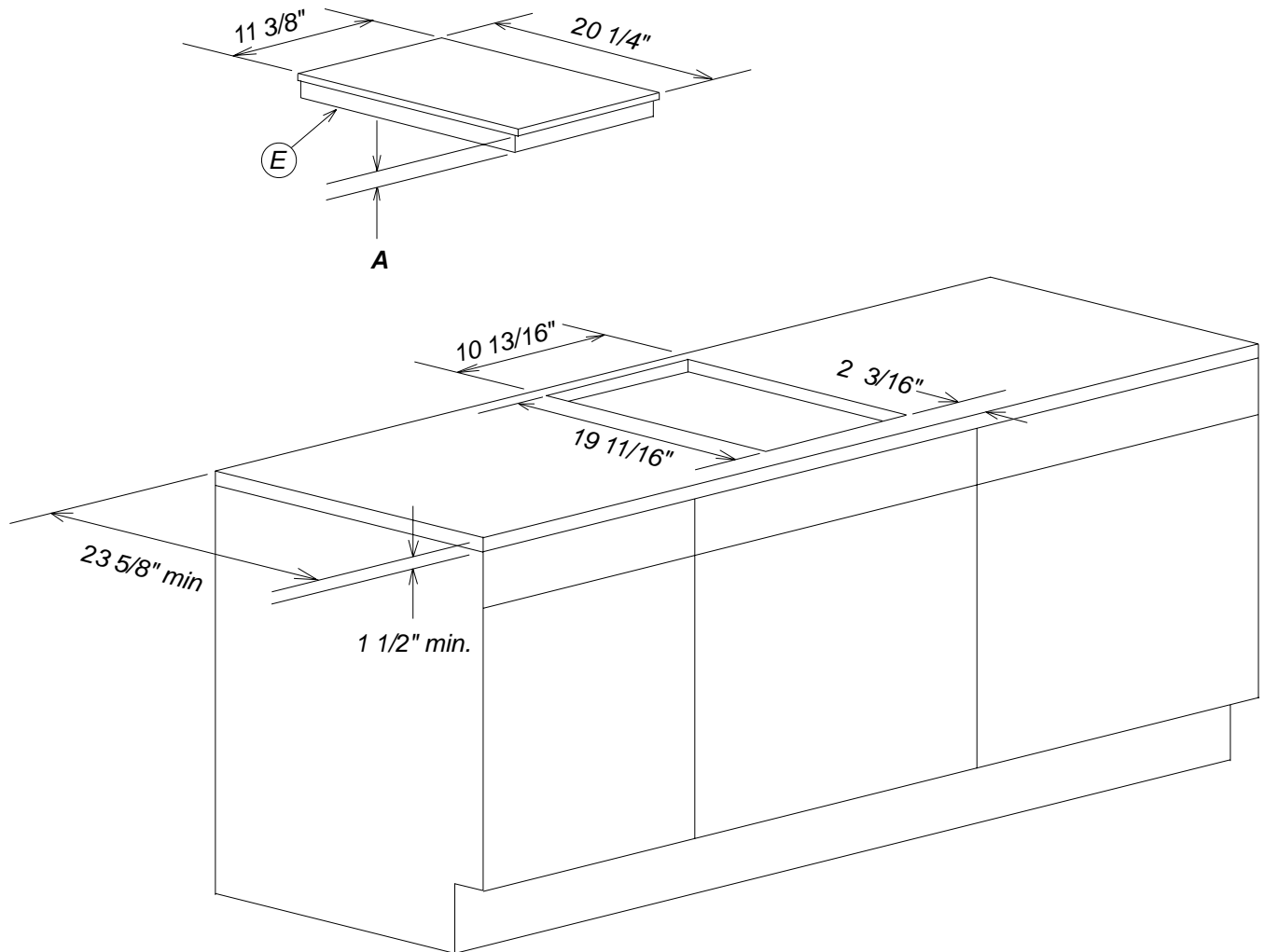


Location Codes
E - Power supply connects rear right bottom. Electrical requirements vary by unit
Notes
• All installations must be done in accordance with local codes.

Depth "A" Details		
Model	Max "A"	Housing
CS1028	5 5/16"	2 1/4"
CS1122	3 5/8"	2 1/4"
CS1221	4 7/16"	3 1/8"
CS1223	NA	NA
CS1322	6 3/4"	4"
CS1326	4 3/16"	2 11/16"
CS1421	NA	NA

NOTE: Drawing is not to scale.
SPECIFICATION SHEETS 151208

Product and Cut-out Dimensions CS1000 Series CombiSet Program Narrow Width units



Location Codes
E - Power supply connects rear right bottom. Electrical requirements vary by unit
Notes
<ul style="list-style-type: none"> All installations must be done in accordance with local codes.

Depth "A" Details		
Model	Max "A"	Housing
CS1011	4 3/16"	2 1/4"
CS1012	4 3/16"	2 1/4"
CS1112	3 5/8"	2 1/4"
CS1212	4 7/16"	3 1/8"
CS1312	6 3/4"	4"
CS1411	10 3/4"	8"

NOTE: Drawing is not to scale.
SPECIFICATION SHEETS 151208