



Microwave Hood Combination

PRODUCT MODEL NUMBERS

WMH31017

WMH32519F

ELECTRICAL REQUIREMENTS

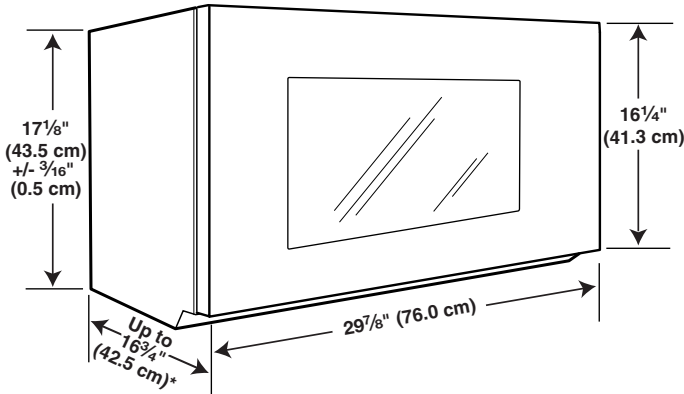
Required:

- A 120 volt, 60 Hz, AC only, 15- or 20-amp electrical supply with a fuse or circuit breaker.

Recommended:

- A time-delay fuse or time-delay circuit breaker.
- A separate circuit serving only this microwave oven.

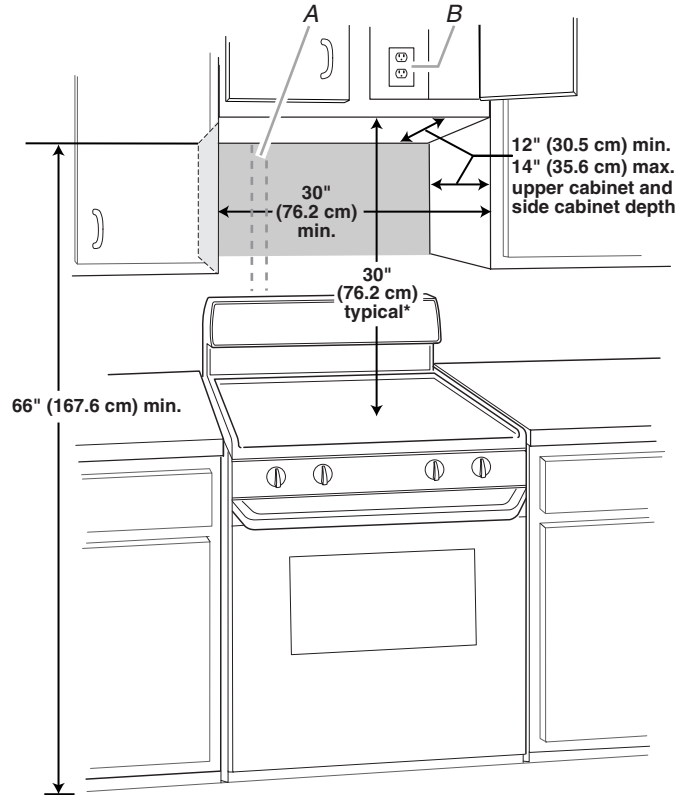
PRODUCT DIMENSIONS



* Overall depth of product will vary slightly depending on door design.

INSTALLATION DIMENSIONS

NOTE: The grounded 3 prong outlet must be inside the upper cabinet. See "Electrical Requirements" section.



A. 2" x 4" wall stud

B. Grounded 3 prong outlet

* 30" (76.2 cm) is typical for 66" (167.6 cm) installation height. Exact dimensions may vary depending on type of range/cooktop below.