



Hood Inserts

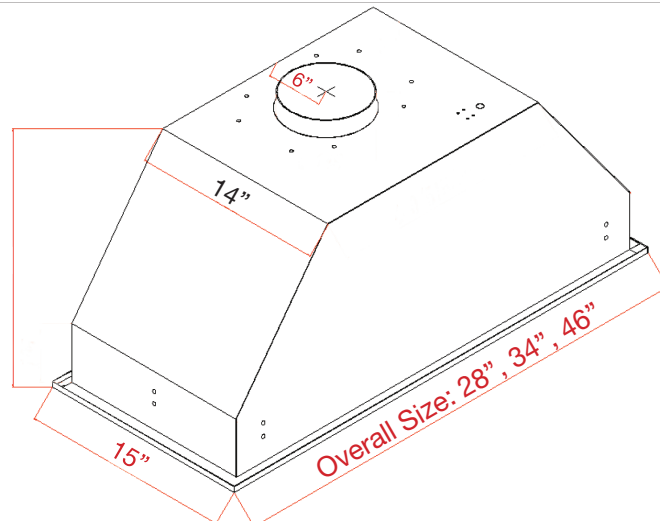
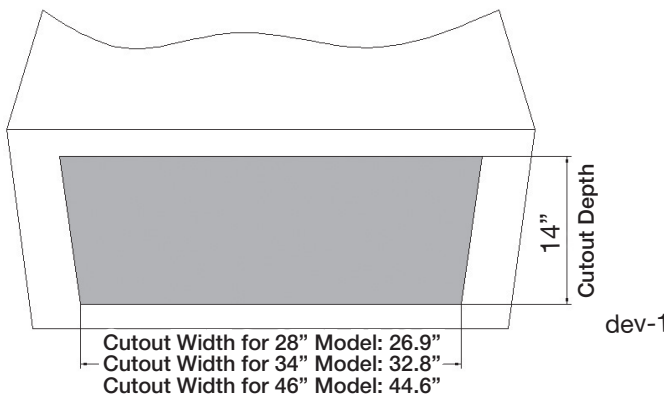
Available Sizes: 28" - 34" - 46"
4 Speed Digital Control Center



Mounting Version: Insert
 800CFM centrifugal blower
 GU10/ LED / halogen lights
 Stainless steel baffle filter (dishwasher-friendly)
 Power Rating: 110V
 Delayed power auto shut off
 6" round duct vent exhaust
 One year parts warranty
 ETL&cETL approved

Specifications:

Body Design	Seamless Stainless Steel, Satin Finish / Glossy Piano Black
Power Rating	120V / 60Hz (USA & Canada standard)
General Input Power	318W (308W + 2x5W)
Motor Input Power	308W
Ampere	2.6A
Levels Of Speed Control	4 Levels
Airflow ¹ (Q/L/M/H)	280CFM / 460CFM / 670CFM / 860CFM
Noise Level ² (Q/L/M/H)	1.2Sone(43dB) / 2.8Sone(55dB) / 5.0Sone(63dB) / 6.5Sone
Number Of Motors	Single Motor
Motor Type	Single Chamber Ultra Quiet
Fan Type	Centrifugal Squirrel Cage
Control Type	Electronic Button Control Panel
Filtration Type	Stainless Steel Baffle Filter
Illumination	LED Light
Venting Size	Top, 6 inches Round
Interference Protection	Radio Frequency Interference Protected



MODEL No: CB28INSERT
 CB34INSERT
 CB46INSERT