



## 36-INCH PRO DUAL-FUEL RANGE

HDPR36 | HERITAGE COLLECTION



### AVAILABLE MODELS

|              |   |
|--------------|---|
| HDPR36/NG    | 36" Heritage Dual Fuel Pro Range - Stainless Steel Natural Gas              |
| HDPR36/LP/H  | 36" Heritage Dual Fuel Pro Range - Stainless Steel Liquid Propane High Alt. |
| HDPR36/LP    | 36" Heritage Dual Fuel Pro Range - Stainless Steel Liquid Propane           |
| HDPR36/NG/H  | 36" Heritage Dual Fuel Pro Range - Natural Gas High Altitude                |
| HDPR36C/NG/H | 36" Heritage Dual Fuel Pro Range - Color Match Natural Gas High Altitude    |
| HDPR36C/NG   | 36" Heritage Dual Fuel Pro Range - Color Match Natural Gas                  |
| HDPR36C/LP/H | 36" Heritage Dual Fuel Pro Range - Color Match Liquid Propane High Altitude |
| HDPR36C/LP   | 36" Heritage Dual Fuel Pro Range - Color Match Liquid Propane               |

### FEATURES & BENEFITS

- Exclusive Four-Part Pure Convection - heating element, air baffle, fan and filter to precisely distribute heat for superior cooking results.
- Large oven capacity - 5.2 cu. ft.
- 6 Dual-Stack Sealed Burners.
- Powerful 18K BTU and true simmer burners.
- Illumina™ Knobs - White LED
- LED Tilt-View™ Glass Touch Control
- Soft Close Oven Door
- Continuous Grate Platform
- All Brass Valves, Heads and Caps

### ADDITIONAL FEATURES

|                |                        |
|----------------|------------------------|
| CLEANING TYPE  | SELF CLEAN GREENCLEAN™ |
| TYPE OF GRATE  | CONTINUOUS CAST IRON   |
| CAVITY         | BLACK ENAMEL COATING   |
| RACK POSITIONS | 6                      |
| LIGHTING       | LED & HALOGEN          |

### GENERAL PROPERTIES

|                            |  |
|----------------------------|--|
| OVEN CAPACITY (CUBIC FEET) | 5.2 CU FT.   |
| COOKING MODES              | PURE CONVECTION™<br>CONVECTION BAKE<br>CONVECTION BROIL<br>CONVECTION ROAST<br>BAKE<br>BROIL |

### OVEN PERFORMANCE

|                    |                 |
|--------------------|-----------------|
| BAKE ELEMENT       | 3,000W - 8 PASS |
| BROIL ELEMENT      | 3,500W - 8 PASS |
| CONVECTION ELEMENT | 2,200W - 2 PASS |

### BURNER PERFORMANCE

|                                 |                                 |
|---------------------------------|---------------------------------|
| TOTAL NUMBER OF COOKTOP BURNERS | 6 DUAL STACK BRASS BURNERS      |
| LEFT FRONT (BTU)                | 18,000 DUAL (SIMMER/SEAR)       |
| LEFT REAR (BTU)                 | 15,000 STACK DUAL (SIMMER)      |
| CENTER FRONT (BTU)              | 15,000 STACK DUAL (SIMMER)      |
| CENTER REAR (BTU)               | 15,000 STACK DUAL (SIMMER)      |
| RIGHT FRONT (BTU)               | 18,000 STACK DUAL (SIMMER/SEAR) |
| RIGHT REAR (BTU)                | 15,000 STACK DUAL (SIMMER)      |
| SEALED BURNERS                  | YES                             |
| PERMA-FLAME™ (AUTO RE-IGNITION) | YES                             |

### ADDITIONAL MODES

|                   |     |
|-------------------|-----|
| KEEP WARM         | YES |
| PROOF             | YES |
| TEMPERATURE PROBE | YES |
| DEHYDRATE         | YES |
| SABBATH           | YES |

### CONTROL FEATURES

|                           |                         |
|---------------------------|-------------------------|
| LED (WHITE)               | YES                     |
| NUMBER OF KNOBS           | 6 KNOBS                 |
| CONTROL METHOD            | LED GLASS TOUCH CONTROL |
| ILLUMINA™ BURNER KNOBS    | YES                     |
| HIGHLIGHTING COLOR        | WHITE                   |
| CLOCK                     | YES                     |
| DELAY START               | YES                     |
| KITCHEN TIMER             | YES 2                   |
| TIME OF DAY (12 HR/24 HR) | YES                     |
| TEMPERATURE (F/C)         | YES                     |
| CHILD LOCK                | YES                     |
| SOUND ON/OFF              | YES                     |

### TECHNICAL DETAILS

|                     |  |
|---------------------|--|
| CIRCUIT BREAKER (A) | 50 AMP   |
| VOLTS (V)           | 240 V  |
| FREQUENCY (HZ)      | 60 HZ  |
| ENERGY SOURCE       | GAS AND ELECTRICAL   |
| GAS TYPES           | NATURAL GAS<br>NATURAL GAS (HIGH ALTITUDE)<br>LIQUID PROPANE<br>LIQUID PROPANE (HIGH ALTITUDE) |

### DIMENSIONS & WEIGHT

|  |                             |
|--|-----------------------------|
| APPLIANCE DIMENSIONS (H X W X D) (IN.) | 36 1/8" X 35 7/8" X 26 7/8" |
| REQUIRED CUTOUT SIZE (W X D) (IN.)     | 36" X 24"                   |

# dacor

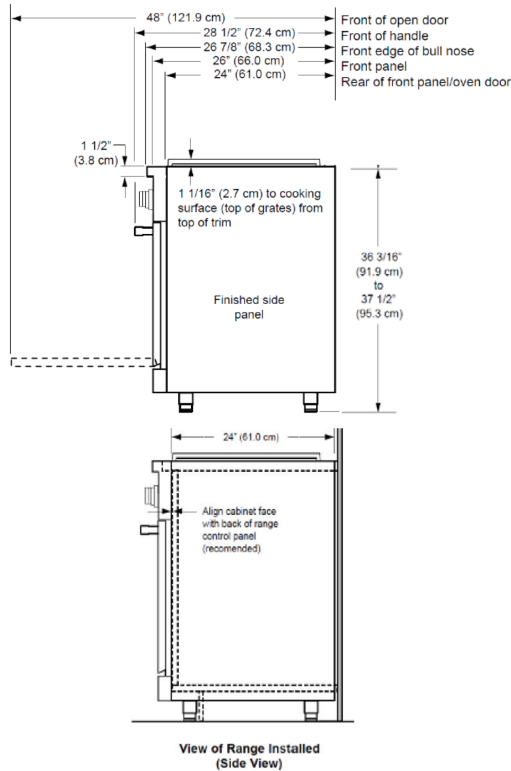
## 36-INCH PRO DUAL-FUEL RANGE

### APPLIANCE DIMENSIONS

48"

|            |                                   |
|------------|-----------------------------------|
| A (WIDTH)  | 35 7/8" (121.6CM)                 |
| B (DEPTH)  | 24" (60.1CM)                      |
| C (HEIGHT) | 36 3/16" TO 37 1/2" (91.9-95.3CM) |

Product tolerances: +/- 1/6" (+/-1.6MM)

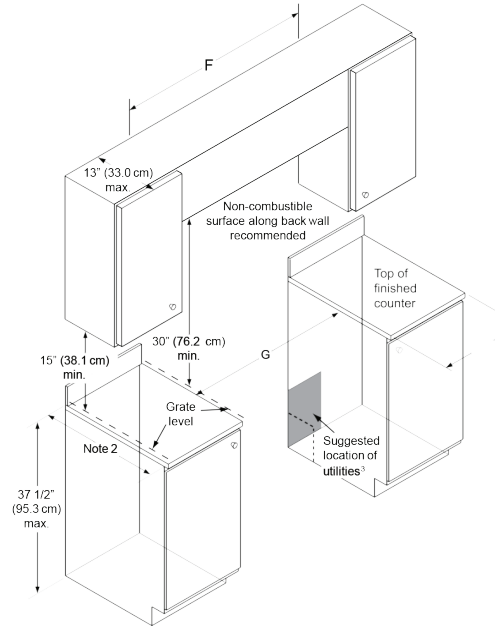


### CABINET CUT-OUT DIMENSIONS

| RANGE MODEL | F                                  | G                  |
|-------------|------------------------------------|--------------------|
| HDPR36      | 42" (106.7 CM)*<br>36" (91.4 CM)** | 36"<br>(91.4 CM)** |

\* Recommended  
\*\* Minimum

Cutout tolerances: +1/16" (+1.6 mm), -0 unless otherwise stated



### ACCESSORIES (INCLUDED)

|                                   |                 |
|-----------------------------------|-----------------|
| GLIDERACK™                        | 2 (LG) & 2 (SM) |
| STANDARD RACK                     | 1 (LG) / 1 (SM) |
| TEMPERATURE PROBE                 | 1 LG OVEN       |
| WOK RING                          | 1               |
| CONVECTION FILTER                 | 1/EA OVEN       |
| BRASS/BLACK PORCELAIN BURNER CAPS | 6/EA            |
| REMOVABLE NON-STICK GRIDDLE       | 1               |

### ACCESSORIES (OPTIONAL)

|   |          |
|---|----------|
| COOKIE SHEETS (SET OF 3)                              | ACSRO303 |
| REMOVABLE NON-STICK GRIDDLE                           | AG30     |
| REMOVABLE NON-STICK SEARING GRILL                     | AEGR30   |
| BAKING STONE  | ABS16    |
| BROIL/ROASTING PAN W/GRILL & V RACK                   | AORPVR   |
| STAINLESS STEEL BACKGUARD, MOUNTS TO UNIT (3 IN HIGH) | AERB48D3 |
| STAINLESS STEEL BACKGUARD, MOUNTS TO UNIT (9 IN HIGH) | AERB30D9 |
| 3" SIDE PANELS  | ARSP3    |

### WARRANTY

|                          |        |
|--------------------------|--------|
| LIMITED, PARTS AND LABOR | 1 YEAR |
|--------------------------|--------|