

TCM24RS 24-INCH BUILT-IN COFFEE MACHINE

MASTERPIECE® & PROFESSIONAL SERIES



FEATURES & BENEFITS

- Indulge yourself with up to 10 different beverages from your favorite caffè latte, cappuccino or your rich-flavor espresso
- Easy to read control panel with color LCD display gives complete digital information over every setting
- The fluid and versatile design of our Built-in Coffee Machine will perfectly coordinate with both of our Thermador product collections
- Prepare your favorite coffee drink like a professional barista with a simple touch of a button
- Store up to eight different beverages for quick and easy preparation of your favorite beverage

ACCESSORIES - INCLUDED

Stainless Steel Milk Container, Measuring Spoon

ACCESSORIES - OPTIONAL

30" Stainless Steel Trim Kit	TCMTK30RS
Stainless Steel Milk Container	11005967
Descaling Tablets	00311823
Cleaning Tablets	00311820
Water Filter	12008246

WARRANTY

Limited Warranty, Entire Appliance, Parts and Labor	2 Year
---	--------

GENERAL PROPERTIES

Modes	Ristretto, Espresso, Espresso Macchiato, Coffee, Cappuccino, Latte Macchiato, Caffè Latte, Milk Froth, Warm Milk, Hot Water, Steam Clean, Clean, Descaling
Settings	One or Two Cups, Adjustable Cup Sizes, Brewing Temperature, Coffee Strength, Grind Adjustment
Programming	Personalized Beverages, Language, Light and Display Brightness, Water Hardness, Temperature, Time, Demo Mode, Child-proof Lock, Key Sounds
Sensor Alerts	Water Level, Bean Container, Drip Tray, Coffee Grounds
Beverages Available	10
Coffee Sizes	15
Memory Beverages	8
Double Cup Option	Yes
Coffee Strength Adjustment	6 Levels
Automatic Cleaning	Yes
Built-in Water Filter	Yes
Water Container Capacity (gal.)	5/8 gallon
Bean Container	17.6 oz.
Stainless Steel Milk Container	17 oz.
Powder Coffee	1 Scoop

DESIGN ELEMENTS

Display	Multilingual LCD Color Screen
Beverage Dispenser	Adjustable
Flush Installation	Yes
Milk Container	Stainless Steel

TECHNICAL DETAILS

Watts (W)	1,600 W
Circuit Breaker (A)	15 A
Current (A)	10 V
Volts (V)	120 V
Frequency (Hz)	60 Hz
Plug Type	NEMA 5-15R, 2-Pole 3-Wire Grounding
Power Cord Length (in)	39"
Energy Source	Electric
Pump Pressure (Bar)	275 psi (19 bar)

DIMENSIONS & WEIGHT

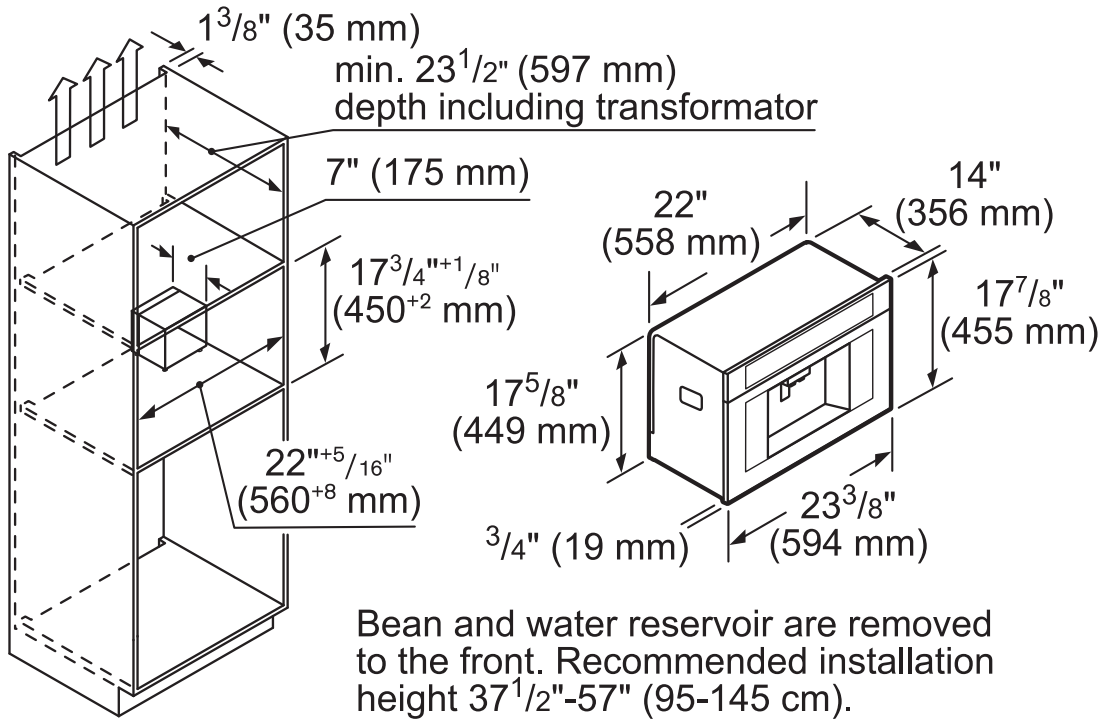
Overall Appliance Dimensions (HxWxD) (in)	17 7/8" x 23 3/8" x 14"*
Net Weight (lbs)	43 lbs*

*Not including transformer

TCM24RS
24-INCH BUILT-IN COFFEE MACHINE
 MASTERPIECE® & PROFESSIONAL SERIES



COFFEE MACHINE & CUTOUT DIMENSIONS



These warranties give you specific legal rights and you may have other rights that vary from state to state. Full warranty and limited warranty from date of installation. For complete warranty details, refer to your Use & Care manual, or ask your dealer.

Specifications are for planning purposes only. Refer to installation instructions and consult your countertop supplier prior to making counter opening. Consult with a heating and ventilation engineer for your specific ventilation requirements. For the most detailed information, refer to installation instructions accompanying product or write to Thermador indicating the model number. Specifications are correct at time of printing. Thermador reserves the right to change product specifications or design without notice. Some models are certified for use in Canada. Thermador is not responsible for products that are transported from the U.S. for use in Canada.