



6 SERIES BUILT-IN 30"W. WARMING DRAWER

VIKING VIRTUOSO 6 SERIES – MVWD

FEATURES AND FUNCTIONS

- Large drawer capacity
 - 22 18"W. x 5 1/2"H. x 20 1/4"D. - 475 watt element
- Temperature settings from 90° to 250°F accommodate all types of food
 - Low setting is ideal for plate warming or bread proofing
 - High setting keeps soups and sauces piping hot
- Entire drawer is easily removable for cleaning
- Versatile moisture-selector control regulates amount of moisture released from drawer
 - Adjustments can be made without opening the drawer and affecting the interior temperature and humidity – open vent to keep foods crisp; close vent to keep foods moist
- Shipped with two removable stainless steel low racks and removable stainless steel moisture cup
 - Low racks cover entire bottom of pan for the largest loads or remove one section for half coverage
 - Moisture cup holds water to increase interior humidity
- Capacitive touch digital control with timer
- Meat probe for temperature reading of meat
- Sabbath Mode
- Four hour automatic shutoff feature
- Heavy-duty drawer glides accommodate 200 pound weight capacity
- Can be installed flush or standard mount



MVWD630

MODEL NUMBER

- MVWD630 – 30"W. Warming Drawer

ACCESSORIES

- PANVEWD – Pan Lid Set (5 pans with lids)
- Two 2-1/2"D. x 12"L. x 7"W. pans
- Two 4"D. x 12"L. x 7"W. pans
- One 4"D. x 12"L. x 10-1/2"W. pan

COLOR FINISHES

Available in Stainless Steel

WARRANTY

- 2-year full - complete product
- 90-day full - cosmetic parts such as glass, painted items and decorative items
- 5-year limited - electric heating elements

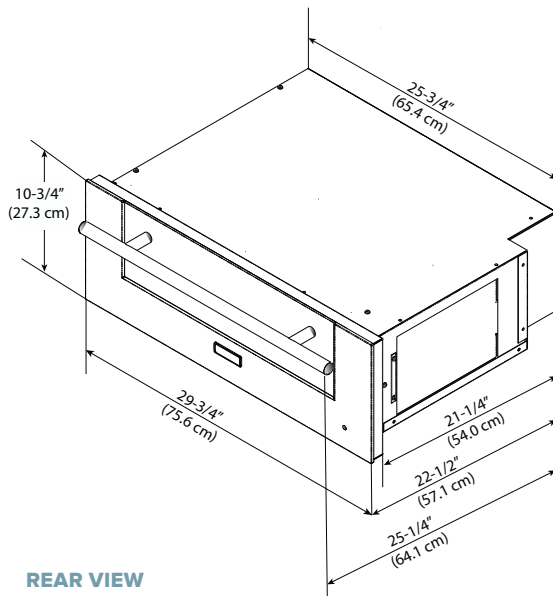


6 SERIES BUILT-IN 30"W. WARMING DRAWER

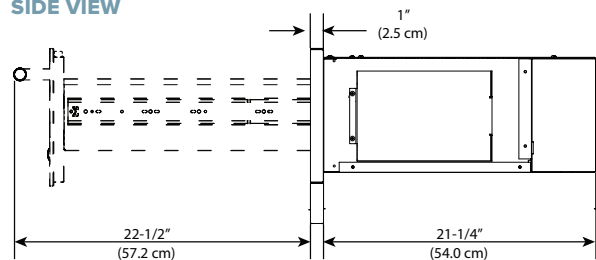
VIKING VIRTUOSO 6 SERIES – MVWD

MVWD WARMING DRAWERS	
DESCRIPTION	VWD527
Overall Width	29-3/4" (75.6 cm)
Overall Height	10-3/4" (27.3 cm)
Overall Depth To end of handle With drawer fully extended	25-1/4" (64.1 cm) 44-3/4" (113.7 cm)
Interior Width	22-1/8" (56.1 cm)
Interior Height	5-1/2" (14.0 cm)
Interior Depth	20-1/4" (51.4 cm)
Electrical Requirements	120V/15 amp power cord included with the unit
Maximum Amp Usage	4.0 Amps
Approximate Shipping Weight	90 lb. (40.5 kg)

Please do not prepare installation from brochure data only. See installation instructions for important clearance/installation information.

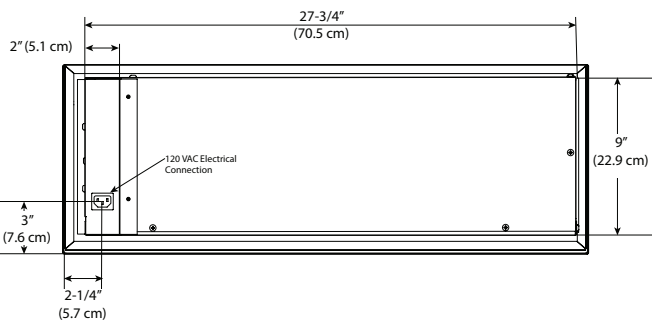


SIDE VIEW



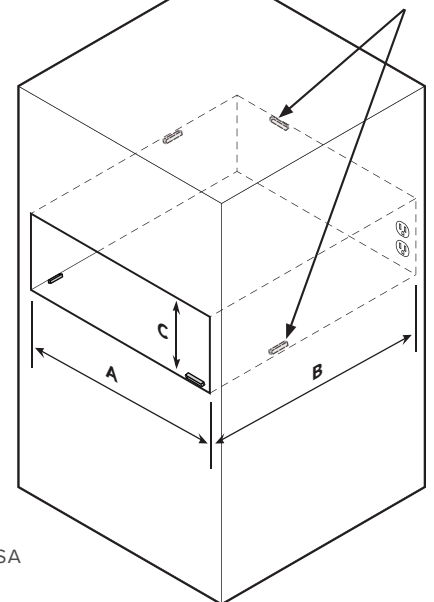
Spacers can be placed anywhere inside cutout as needed to make sure unit is level and does not tilt.

REAR VIEW



CUTOUT DIMENSIONS

DIM	STANDARD MOUNT
A	28-1/4" (71.7 cm)
B	23-1/2" (59.7 cm)
C	9-1/4" (23.5 cm)
DIM	FLUSH MOUNT
A	30" (76.2 cm)
B	24-1/2" (62.2 cm)
C	11" (27.9 cm)



VIKING RANGE, LLC 111 FRONT STREET GREENWOOD, MISSISSIPPI 38930 USA

For detailed product information, model numbers, or to request a quote call 1-888-845-4641 or visit vikingrange.com
 © 2018 Viking Range, LLC All rights reserved. Specifications subject to change without notice.