

ID-24RO



## FEATURES

Tight seal maintains low-temp, high-humidity for optimum freshness

Weather resistant stainless steel panel accessories protect against UV rays, salt, and moisture

Smart-touch controls for streamlined access to more settings

Soft-close drawers

Soft-on LED lights for varying degrees of brightness

Rigorously tested in our U.S. manufacturing facilities to ensure decades of use

Exceptional 24/7 support from Madison, WI-based Customer Care team

## ACCESSORIES

Dual Installation Kit

Egg Container

Outdoor Stainless Steel Drawer Panels With Pro Handle

Outdoor Stainless Steel Drawer Panels with Lock

Accessories are available through an authorized dealer.  
For local dealer information, visit [subzero-wolf.com/locator](http://subzero-wolf.com/locator).



## PRODUCT DETAILS

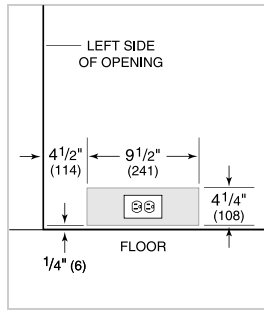
### REFRIGERATOR

- Adjustable drawer dividers

**PRODUCT SPECIFICATIONS**

Model	ID-24RO
Dimensions	24"W x 34 1/2"H x 24"D
Drawer Clearance	18 3/8"
Weight	170 lbs
Electrical Supply	115 VAC, 60 Hz
Electrical Service	15 amp dedicated circuit
Receptacle	3-prong grounding-type, GFCI

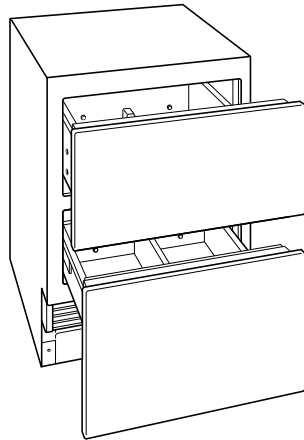
**ELECTRICAL**



**PANEL SPECIFICATIONS** For complete panels specifications including width/height, weight requirements and thickness requirements visit [subzero-wolf.com/reveal](http://subzero-wolf.com/reveal).

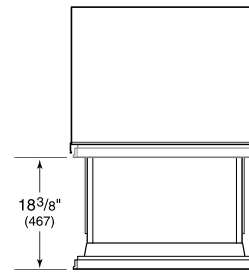
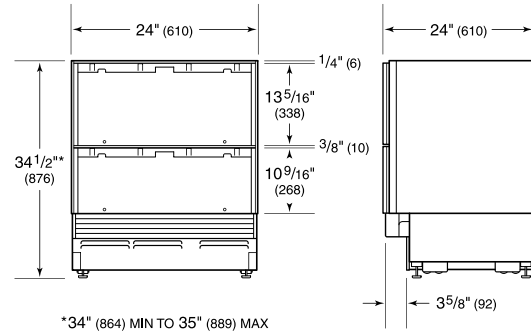
**NOTE:** Dimensions in parenthesis are in millimeters unless otherwise specified

**INTERIOR VIEW**

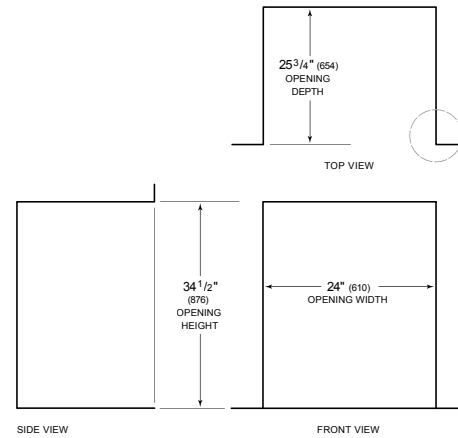


This illustration is intended for interior reference only and may not represent the exterior of the model being specified.

**DIMENSIONS**



**STANDARD INSTALLATION**



**NOTE:** 4 1/2" (114) finished returns will be visible and should be finished to match cabinetry.

