

---

# BERTAZZONI PROFESSIONAL SERIES

## 30" BAFFLE INSERT HOOD

### KIN 30 PRO X

---

#### HIGHLIGHTS

- Hood control with buttons and remote control.
- 600 CFM max extraction power with one motor controlled by 3 speed settings.
- 2 LED lights give exceptionally bright worktop illumination.

---

#### FEATURES

<b>Hood finishing</b>	stainless steel
<b>Motor</b>	1
<b>Speed</b>	3
<b>Hood control</b>	electronic with buttons and remote control
<b>Lights</b>	2 LED
<b>Filters</b>	baffle stainless steel
<b>Max extraction power</b>	600 CFM

---

#### TECHNICAL SPECIFICATIONS

<b>Electrical Requirements</b>	120 V 60 Hz
<b>Max Amp usage, power rating</b>	3.3 A - 400 W
<b>Certification</b>	CSA
<b>Warranty</b>	2 years parts and labor

---

#### ACCESSORIES

<b>Recirculation kit</b>	code 901397
--------------------------	-------------

The hood comes with Air Bracket included on board



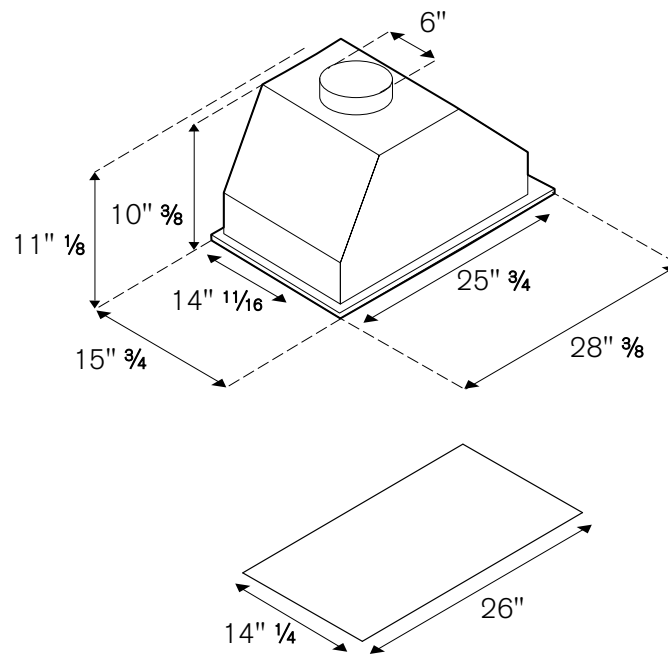
TO COOK BEAUTIFULLY  
WWW.BERTAZZONI.COM

---

# INSTALLATION INSTRUCTIONS

## KIN 30 PRO X

---



---

Bertazzoni recommends to operate the appliance after it has been properly installed. Please refer to the installation manual for further details.

---

**Disclaimer:** while every effort has been made to insure the accuracy of the information contained in this brochure, Fratelli Bertazzoni reserves the right to change any part of the information at any time without notice.

Fratelli Bertazzoni, Bertazzoni and the winged wheel brand icon are registered trademarks of Bertazzoni Spa.