

SO24TE/S/TH



## FEATURES

11 cooking modes make meals easy

Black porcelain interior

Installs flush or proud with surrounding cabinetry

Self clean, delayed start, timed cook and more

Single convection oven for fast, consistent cooking

Quicker preheat for faster meal prep

Adjustable oven rack plus porcelain-coated pan

Hidden bake element and recessed broil element

Rigorously tested in our U.S. manufacturing facilities for decades of use

Exceptional 24/7 support from our Customer Care team in Madison

Temperature probe cooks to ideal doneness and lets you know when it's ready

Dual halogen lights for better interior views

## ACCESSORIES

Full Extension Rack Guides

Oven Rack

Porcelain Baking Sheet

Solid Pan 12 3/4" x 1 1/2" x 7"

Solid Pan 12 3/4" x 1 1/4" x 14"

Solid Pan 17 3/4" x 1 1/4" x 15"

Accessories available through an authorized dealer.

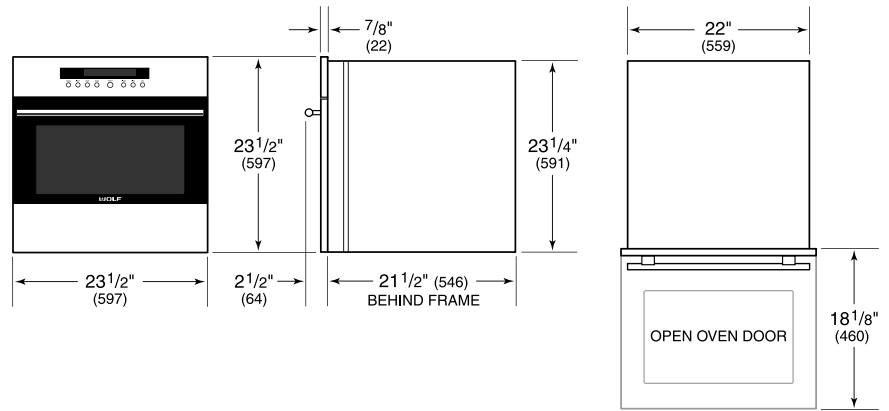
For local dealer information, visit [subzero-wolf.com/locator](http://subzero-wolf.com/locator).



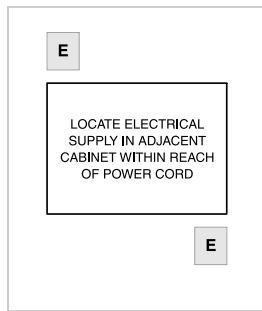
**PRODUCT SPECIFICATIONS**

Model	SO24TE/S/TH
Dimensions	23 1/2"W x 23 1/2"H x 21 1/2"D
Oven 1 Interior Dimensions	18"W x 13 3/4"H x 16"D
Overall Capacity	2.4 cu. ft.
Usable Capacity	1.6 cu. ft.
Door Clearance	18 1/8"
Weight	80 lbs
Electrical Supply	240/208 VAC, 60 Hz
Electrical Service	20 amp dedicated circuit
Power Cord Length	6 Feet
Receptacle	NEMA 6-20R grounding-type

**DIMENSIONS**

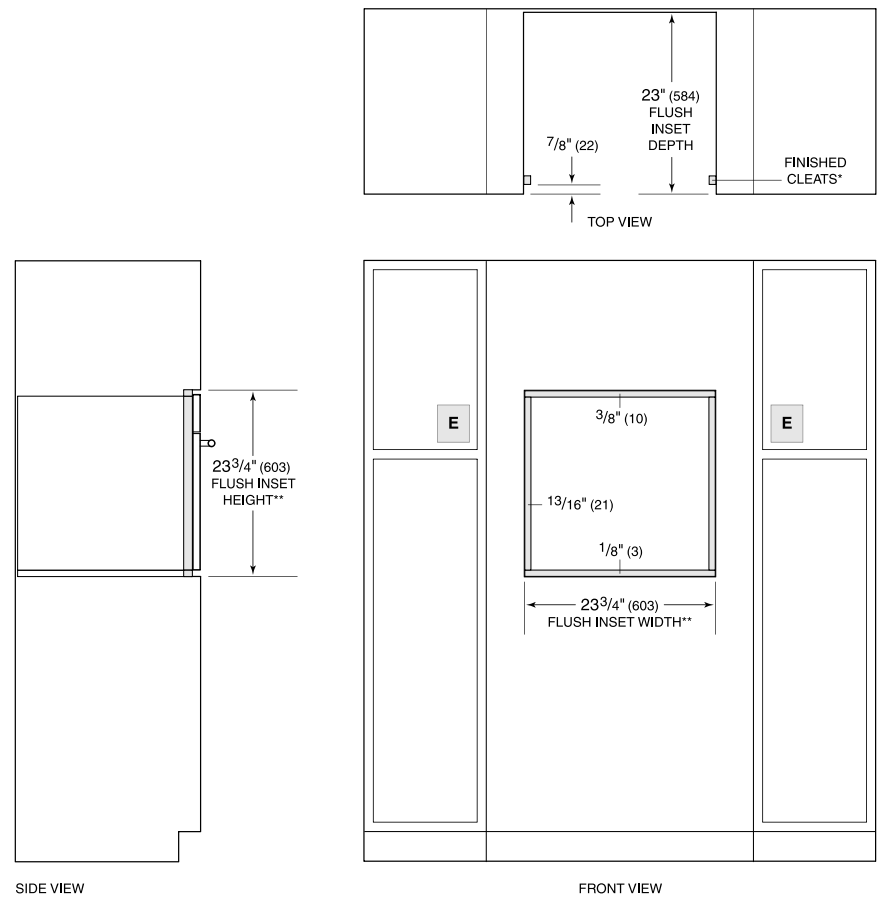


**ELECTRICAL**



**NOTE:** Dimensions in parenthesis are in millimeters unless otherwise specified

**FLUSH INSTALLATION**



SIDE VIEW

FRONT VIEW

\*Will be visible and should be finished to match cabinetry.  
 \*\*Dimension provides minimum reveals.

NOTE: Electrical supply must be located in adjacent cabinet within 3' (.9 m) of opening.