


Location Requirements

Proper installation is your responsibility. Check code requirements. Some codes limit, or do not permit, installing washer/dryer in garages, closets, mobile homes, or sleeping quarters. Contact your local building inspector.

⚠ WARNING

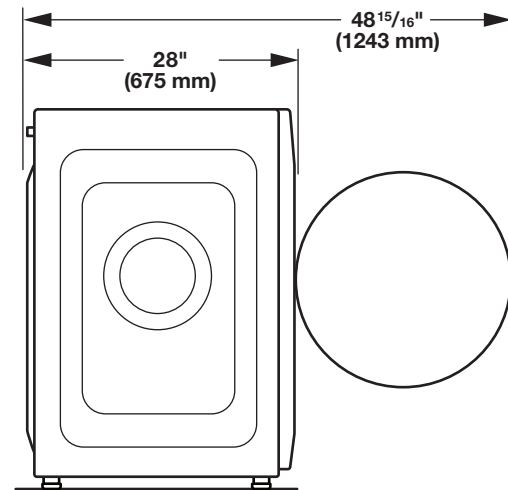
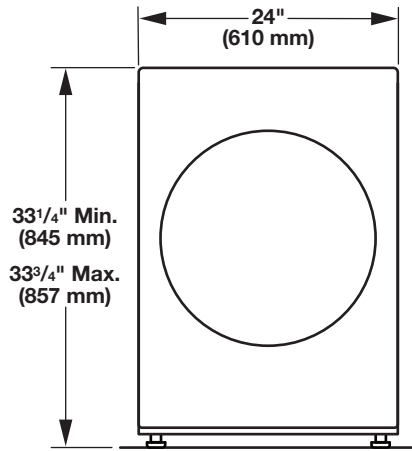


Explosion Hazard
Keep flammable materials and vapors, such as gasoline, away from dryer.
Place dryer at least 18 inches (460 mm) above the floor for a garage installation.
Failure to do so can result in death, explosion, or fire.

You will need:

- A separate 30 amp circuit.
- A grounded electrical outlet located within 2 ft. (610 mm) of either side of washer/dryer. See “Electrical Requirements.”
- Water faucet located within 4 ft (1.2 m) of water fill valve on washer/dryer, and water pressure of 20–100 psi (137.9–689.6 kPa).
- A level floor with maximum slope of 1" (25 mm) under entire washer/dryer. Installing on carpet or surfaces with foam backing is not recommended.
- Floor must support washer/dryer's total weight (with water and load) of 400 lbs (180 kgs).
- For garage installation, place washer/dryer at least 18" (460 mm) above floor. If using a pedestal, you will need 18" (460 mm) to bottom of washer/dryer.

IMPORTANT: Do not install, store, or operate washer/dryer where it will be exposed to weather or in temperatures below 32°F (0°C). Water remaining in washer/dryer after use may cause damage in low temperatures. See “All-In-One Washer/Dryer Maintenance” for winterizing information.

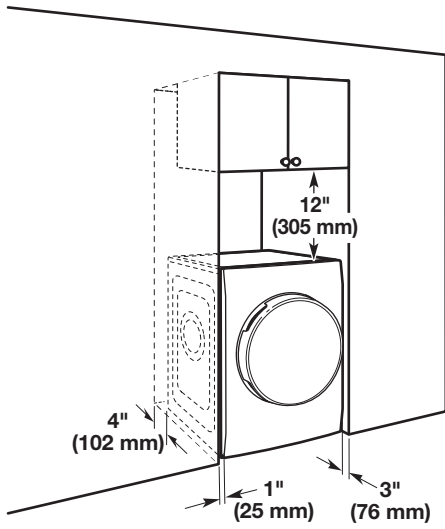


All dimensions show recommended spacing allowed, except for closet door ventilation openings which are the minimum required. For each arrangement, consider allowing more space for ease of installation and servicing, and spacing for companion appliances and clearances for walls, doors, and floor moldings.

Space must be large enough to allow door to fully open. Add spacing of 1" (25 mm) on all sides of washer/dryer to reduce noise transfer. If a closet door or louvered door is installed, top and bottom air openings in door are required.

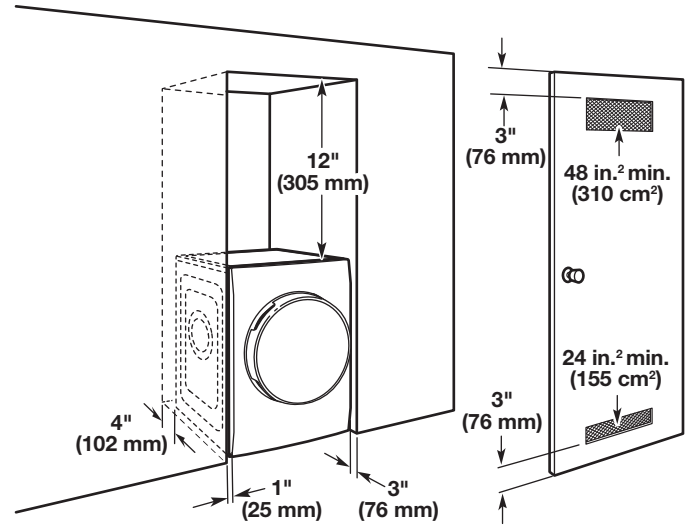
Location Requirements (cont.)

Custom cabinet installation:



NOTE: The 12" minimum space above the washer/dryer is required for use of the Load & Go™ bulk dispenser.

Closet installation:



NOTE: The 12" minimum space above the washer/dryer is required for use of the Load & Go™ bulk dispenser.