



CR3240



3.38" x 20.63" x 19.13" (H x W x D)

230V three-burner cooktop in black ceramic glass, made in Europe

Highlights:

Three-burner electric cooktop with 230V operation

Smooth black ceramic glass surface offers easy cleanup and modern style

Includes push-to-turn knobs and heat indicator light for safer use

Made in Europe

Product Features:

Smooth black surface made from Eurokera glass Easy cleanup and elegant style on a smooth ceramic glass surface

Three heating elements 3 1200W burners, each with 6" diameter, manufactured for SUMMIT by E.G.O. of Germany, considered by many to be the finest in the world

Push-to-turn controls Prevents accidents by requiring a small amount of force to turn on cooktop heat

Residual heat indicator light Indicates when surface is still hot to touch

Designed for built-in installation Fits counter cutout sizes that are 19 7/8" wide by 18 3/8" deep



SUMMIT APPLIANCE DIVISION FELIX STORCH, INC.

770 Garrison Avenue, Bronx, NY 10474 USA TEL 718-893-3900 FAX 844-478-8799

info@summitappliance.com

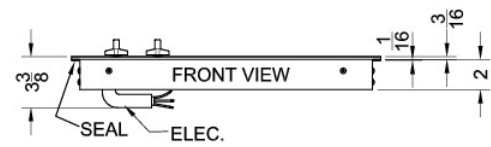
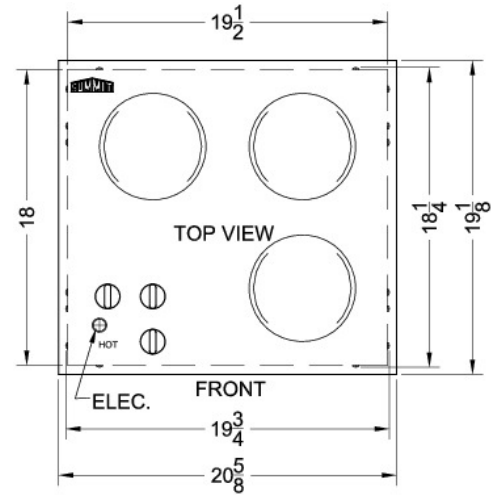


www.summitappliance.com



CR3240 Specifications:

| Overview | |
|----------------------------|----------------|
| Height | 3.38" |
| Width | 20.63" |
| Depth | 19.13" |
| Cabinet | Black |
| US Electrical Safety | UL |
| Canadian Electrical Safety | ULC |
| Voltage/Frequency | 220 V AC/60 Hz |
| Shipping Weight | 50.0 lbs. |
| Parts & Labor Warranty | 1 Year |
| Electric Cooktop | |
| Heating Type | Radiant |
| Surface | Glass |
| Element Type | Glasstop |
| Number of Elements | 3 |
| controls | Dial |
| Countertop Cutout Height | 3.38" |
| Countertop Cutout Width | 19.88" |
| Countertop Cutout Depth | 18.38" |
| Power Source | 230V |
| Element #1 Size | 6.0" |
| Element #1 Wattage | 1200.0 |
| Element #2 Size | 6.0" |
| Element #2 Wattage | 1200.0 |
| Element #3 Size | 6.0" |
| Element #3 Wattage | 1200.0 |



MODEL: CR3240
240V-60Hz 3600W



SUMMIT APPLIANCE DIVISION FELIX STORCH, INC.

770 Garrison Avenue, Bronx, NY 10474 USA TEL 718-893-3900 FAX 844-478-8799

info@summitappliance.com



www.summitappliance.com