

VI45G**FEATURES**

- Heavy-duty stainless steel
- Powerful blower options
- Four LED lights with two brightness settings
- Dishwasher-safe filters
- Front-mounted electronic controls
- Telescoping chimney reaches standard ceiling heights
- Rigorously tested in our U.S. manufacturing facilities for decades of use
- Exceptional 24/7 support from our Customer Care team in Madison

ACCESSORIES

- Flue Extension
- Chimney Extension - accommodates most 10' ceilings
- Make-up air damper
- Recirculating kit and filter for non-ducted applications
- Recirculating Filter
- Remote Control
- Inline Blowers
- Internal Blowers
- Remote Blowers

Accessories available through an authorized dealer.
For local dealer information, visit subzero-wolf.com/locator.

**BLOWER OPTIONS**

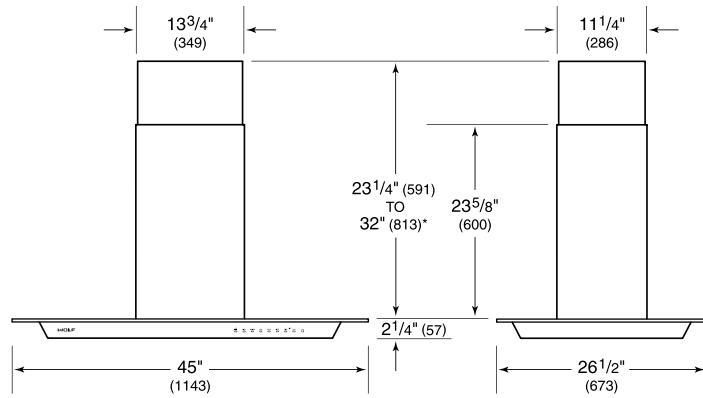
- 300 CFM Internal
- 600 CFM Internal
- 600 CFM Inline
- 600 CFM Remote

PRODUCT SPECIFICATIONS

Model	VI45G
Dimensions	45"W x 2 1/4"H x 26 1/2"D
Weight	92 lbs
Electrical Supply	110/120 VAC, 60 Hz
Electrical Service	15 amp dedicated circuit
Discharge Location	Vertical
Discharge Dimensions	6" Round
Bottom of Hood to Countertop	24" to 36"
Receptacle	3-prong grounding-type

NOTE: Dimensions in parenthesis are in millimeters unless otherwise specified

DIMENSIONS



*46 1/4" (1175) to 55" (1397) with accessory flue extension.