

MDD24TE/S/TH

FEATURES

Integrates into any kitchen

Matches E series ovens, coffee systems, convection steam oven

900 watts of power

Generous 1.6. cu. ft. capacity

Quick-start controls for popular items

Gourmet mode cooks automatically from preset recipes

"Keep Warm" mode

Rigorously tested in our U.S. manufacturing facilities for decades of use

Exceptional 24/7 support from our Customer Care team in Madison

ACCESSORIES

Pro Handle

Accessories available through an authorized dealer.

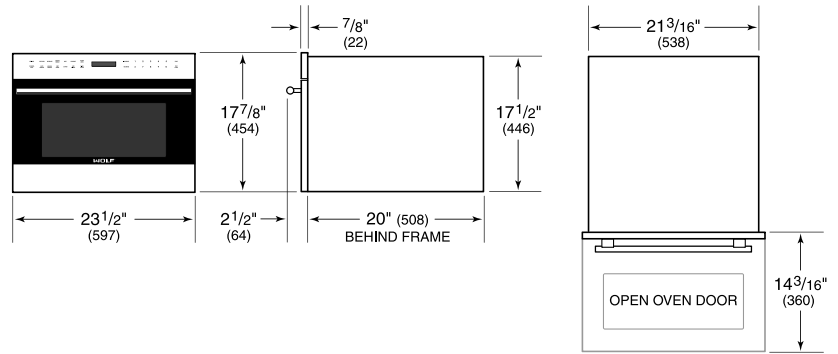
For local dealer information, visit subzero-wolf.com/locator.



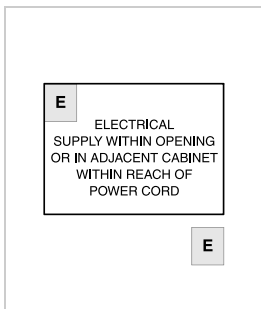
PRODUCT SPECIFICATIONS

Model	MDD24TE/S/TH
Dimensions	23 1/2"W x 17 7/8"H x 20"D
Capacity	1.6 cu. ft.
Door Clearance	14 3/16"
Weight	80 lbs
Electrical Supply	120 VAC, 60 Hz
Electrical Service	15 amp dedicated circuit
Power Cord Length	4 Feet
Receptacle	3-prong grounding-type

DIMENSIONS



ELECTRICAL



NOTE: Dimensions in parenthesis are in millimeters unless otherwise specified

STANDARD INSTALLATION

