
BERTAZZONI PROFESSIONAL SERIES

30" CERAMIC COOKTOP

P30 4 CER NE

HIGHLIGHTS

- Adjust the power level on each heating zone, using the Bertazzoni signature knobs.
- The elegantly silk screened Bertazzoni logo stands for durability and quality.
- The one-touch, child safety ignition system lets you light and adjust burners with one hand.

FEATURES

Radiant heating zones	4
Back right	Ø 7" - 1800 W
Front right	Ø 6" - 1200 W
Back left	Ø 6" - 1200 W
Front left	Ø 5" - 1100 W
Front left extensible	Ø 9" - 2500 W
Maintop	ceramic glass and metal trim
Worktop control	knobs
Knobs	soft touch

TECHNICAL SPECIFICATIONS

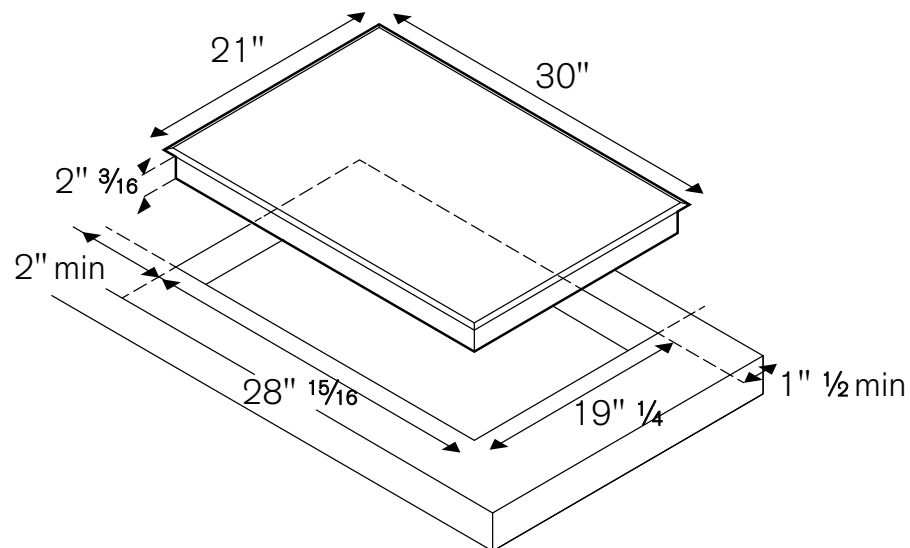
Electrical Requirements	120/208 V - 120/240 V, 60Hz
Max Amp Usage	24 A - 28 A, 5030 W - 6700 W
Certification	CSA-UL
Warranty	2 years parts and labor



TO COOK BEAUTIFULLY
WWW.BERTAZZONI.COM

INSTALLATION INSTRUCTIONS

P30 4 CER NE



Bertazzoni recommends to operate the appliance after it has been installed in a cabinet. The kitchen cabinets shall be made of materials capable of withstanding temperatures at least 117°F (65°C) above room temperature in order to avoid possible damage to the cabinets during appliance usage. For further installation instructions refer to the installation manual.

Disclaimer: while every effort has been made to insure the accuracy of the information contained in this brochure, Fratelli Bertazzoni reserves the right to change any part of the information at any time without notice.

Fratelli Bertazzoni, Bertazzoni and the winged wheel brand icon are registered trademarks of Bertazzoni Spa.