

**CLR1215 • 15" Clear Ice Machine • 1000 Series**

**FEATURES & BENEFITS**



STAINLESS SOLID



INTEGRATED SOLID



BLACK SOLID



WHITE SOLID

<b>PERFORMANCE</b>	<ul style="list-style-type: none"> <li>• Daily ice production of up to 60 lbs of ice</li> <li>• Up to 30 lbs in ice storage capacity</li> <li>• Clear ice cube dimensions: 7/8" W x 7/8" H x 7/8" L</li> <li>• Clear ice cube fullness can be adjusted</li> <li>• Silent setting temporarily suspends ice making for 3 hours</li> <li>• Digital Touch Pad Control is conveniently located on face of unit</li> <li>• Indicator alert notifies user when cleaning is needed</li> <li>• Easy clean process only lasts 45 minutes</li> </ul>
<b>INTERIOR/EXTERIOR</b>	<ul style="list-style-type: none"> <li>• White interior is illuminated with LED lighting</li> <li>• Clear heavy duty ice scoop included</li> <li>• Drain required</li> <li>• Model can be ordered with factory installed drain pump if gravity drain is not accessible</li> <li>• Factory installed drain line simplifies installation</li> <li>• 7/8" diameter stainless steel handle (not included on integrated models)</li> <li>• Door swing is field reversible, and is shipped right hand hinged</li> </ul>
<b>INTEGRATION</b>	<ul style="list-style-type: none"> <li>• Unit is designed to be built-in or can be freestanding</li> <li>• Integrated model requires 3/4" custom door panel (panels not supplied by U-Line)</li> <li>• Four independently adjustable leveling legs provide a precise undercounter fit</li> <li>• Available in the following finishes: Stainless, Integrated, Black, or White</li> </ul>

**MODEL DETAILS**

Model	Voltage/Hz	Door Swing	Pump	Finish	Shipping Weight
U-CLR1215S-00B	115 / 60	Field Reversible	-	Stainless Solid	95 lb
U-CLR1215S-40B	115 / 60	Field Reversible	Pump Included	Stainless Solid	101 lb
U-CLR1215INT-00B	115 / 60	Field Reversible	-	Integrated Solid	92 lb
U-CLR1215INT-40B	115 / 60	Field Reversible	Pump Included	Integrated Solid	98 lb
U-CLR1215B-00B	115 / 60	Field Reversible	-	Black Solid	95 lb
U-CLR1215B-40B	115 / 60	Field Reversible	Pump Included	Black Solid	101 lb
U-CLR1215W-00B	115 / 60	Field Reversible	-	White Solid	92 lb
U-CLR1215W-40B	115 / 60	Field Reversible	Pump Included	White Solid	101 lb

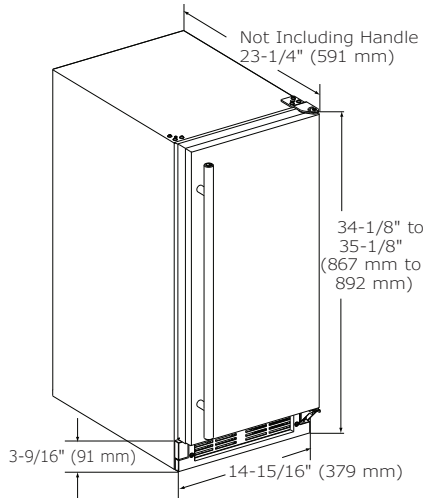
**ACCESSORIES**

Model	Description	Finish	Shipping Weight
80-54081-00	Clear Ice Machine Cleaner (1 box of 6 packets)	N/A	1 lb
80-54147-00	Drain Pump	N/A	7 lb
80-54674-00	Braided water supply line kit	N/A	2 lb

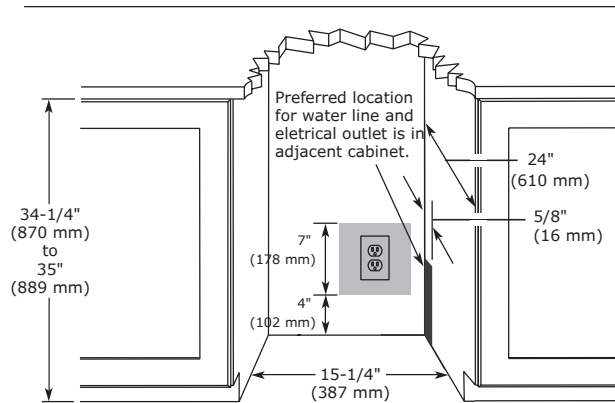
1000 Series • 15" Clear Ice Machine • **CLR1215**

**DIMENSIONS**

Dimensions shown apply to all finishes, including Integrated (INT) models with 3/4" integrated panel/frame installed.



**CABINET CUT-OUT**



**SPECIFICATIONS**

Model	CLR1215
Amps: Running	4
Amps: Ice Harvest	5.5
Control Type	Digital Touch Pad
Defrost Type	N/A
Dimensions: Product Depth	24" / 610 mm
Dimensions: Product Height	34 1/8" / 867 mm
Dimensions: Product Width	14 15/16" / 379 mm
ENERGY STAR	N/A
Ice Production Per Day	60 lb
Ice Storage	30 lb
Panel Height	30 1/4" / 768 mm
Panel Thickness	3/4" / 20 mm
Panel Type	Solid Panel
Panel Width	14 3/4" / 375 mm
Product Weight: Max	91 lb
Refrigerant Type	R134a
Sabbath (Star K Certified)	Yes

**INSTALLATION NOTES**

When installing adjacent to wall, ensure 2 1/2" clearance on hinged side for 90° door opening, allowing ample room for door handle.

No additional clearance around sides, top or rear of unit is needed for ventilation.

Do not obstruct front grille air flow.

**ELECTRICAL REQUIREMENTS**

This unit requires a grounded, polarized 115 VAC, 60 Hz, 15 A power supply (normal household current).



Warranty

Please visit [u-line.com](http://u-line.com) to view this model's User Guide. All specifications are subject to change without notice.