
BERTAZZONI PROFESSIONAL SERIES

46" BAFFLE INSERT HOOD

KIN 46 PRO X

HIGHLIGHTS

- Hood control with slider.
- 2x600 CFM max extraction power with two motors controlled by 3 speed settings.
- 4 LED lights give exceptionally bright worktop illumination.

FEATURES

Hood finishing	stainless steel
Motor	2
Speed	3
Hood control	slider
Lights	4 LED
Filters	baffle stainless steel
Max extraction power	2x600 CFM

TECHNICAL SPECIFICATIONS

Electrical Requirements	120 V 60 Hz
Max Amp usage, power rating	6.6 A - 800 W
Certification	CSA
Warranty	2 years parts and labor

ACCESSORIES

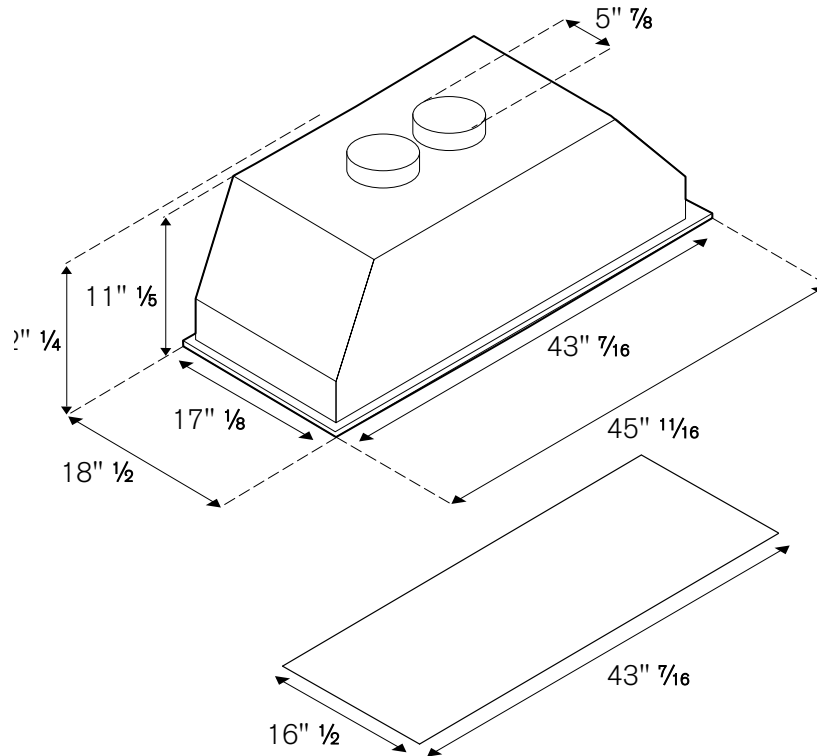
Recirculation kit	code 901397
--------------------------	-------------

The hood comes with Air Bracket included on board

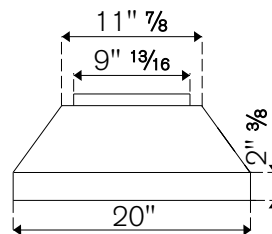


INSTALLATION INSTRUCTIONS

KIN 46 PRO X



Air bracket drawing



Bertazzoni recommends to operate the appliance after it has been properly installed. Please refer to the installation manual for further details.

Disclaimer: while every effort has been made to insure the accuracy of the information contained in this brochure, Fratelli Bertazzoni reserves the right to change any part of the information at any time without notice.

Fratelli Bertazzoni, Bertazzoni and the winged wheel brand icon are registered trademarks of Bertazzoni Spa.