

CHIMNEY HOOD
INSTALLATIONS INSTRUCTIONS

HOTTE DE CHEMINÉE
INSTRUCTION POUR LE MONTAGE



MODELS

KU24 PRO 1X **KL1A.HM4X..UA**

KU30 PRO 1X **K71A.HM4X..UA**

KU36 PRO 1X **K31A.HM4X..UA**

KU48 PRO 1X **K41A.HM4X..UA**



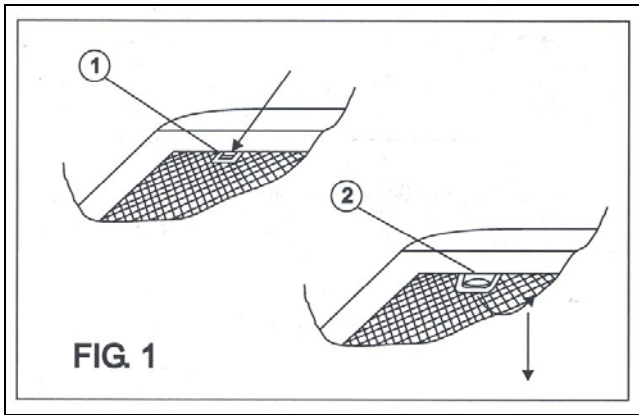


Fig. 1

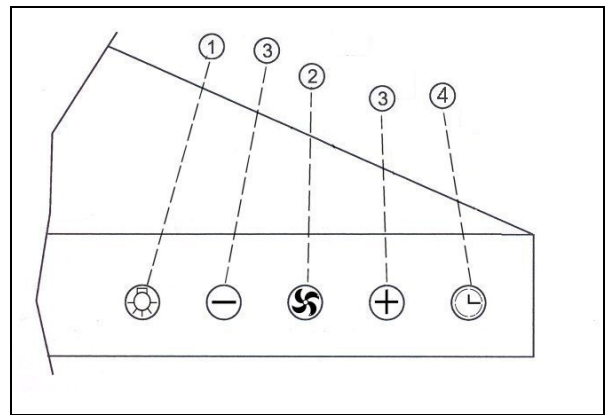


Fig.2

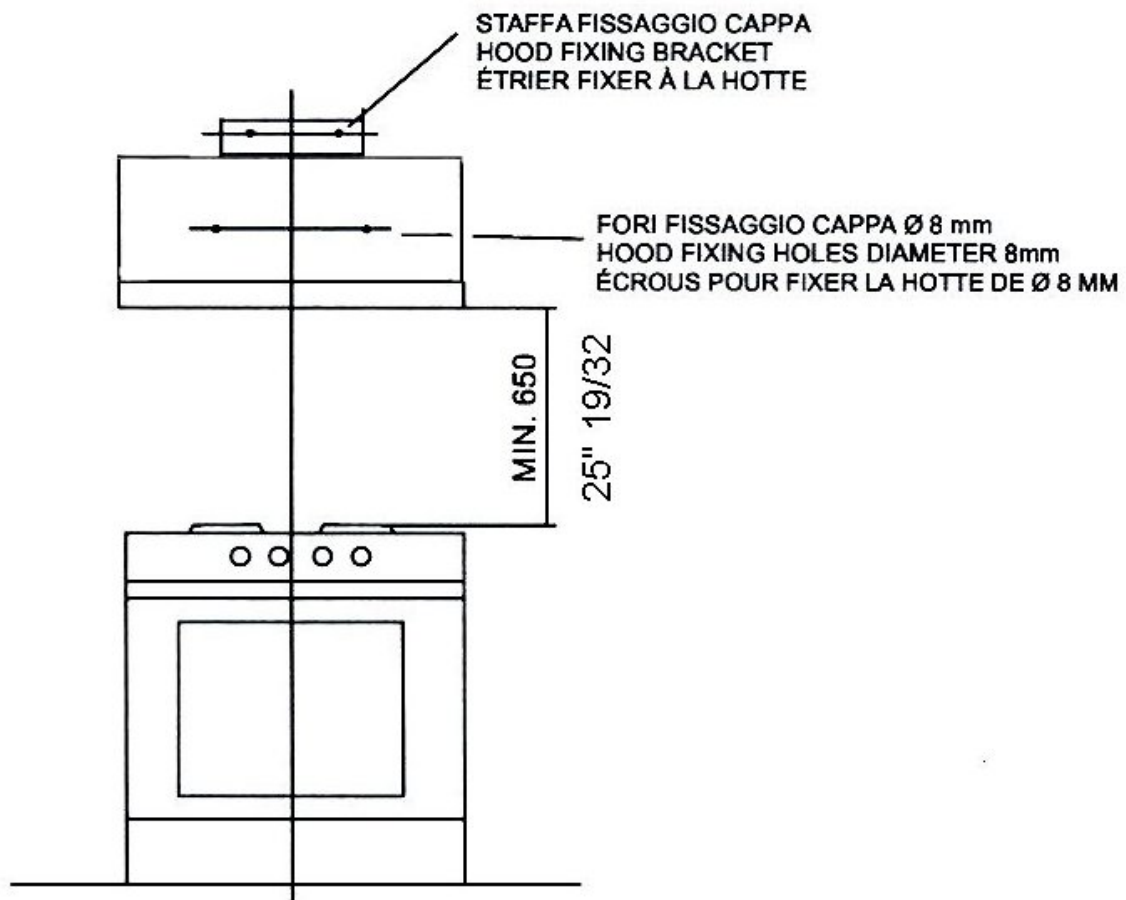


fig.3

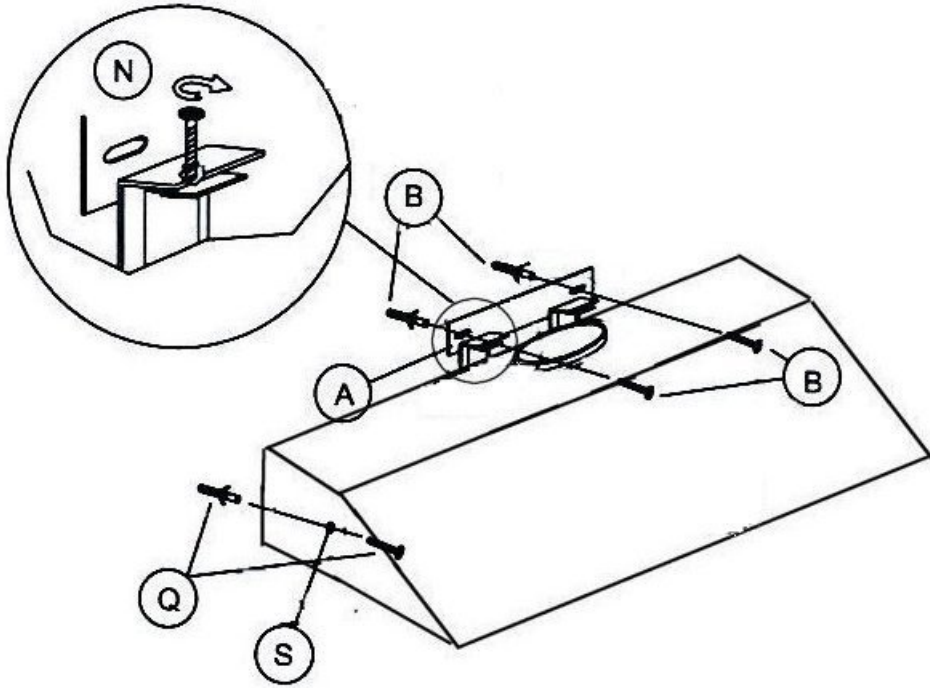


fig.4



CHIMNEY HOOD

INSTALLATIONS INSTRUCTIONS

Important safeguards

- Do not connect the exhaust hood to chimneys, flues and air ducts serving the room.
- The evacuated air must not be let into a warm air duct.
- This appliance must be connected to a system equipped with earth or ground plate.
- When performing maintenance operations, disconnect the appliance from the field connection.
- Do not do any flambé cooking underneath the hood. - When frying, never leave the pan alone because the cooking oil could flare up.
- Clean all the surfaces frequently to avoid danger of Fire. To do so use a cloth and or brush soaked in denatured ethyl alcohol. It is also important to remove and clean or substitute frequently the filter installed in the hood.
- It is advisable to utilise kitchens of the same width as the hood.
- Do not operate any with a damaged cord or plug. Discard fan or return to an authorized service facility for examination and/or repair.
- Do not run cord under carpeting. Do not cover with throw rugs, runners, or similar coverings. Arrange cord away from traffic area and where it will not be tripped over. Wiring shall be protected from sharp edges (including male screw threads), burrs, fins, moving parts, and other agencies that might abrade the insulation on conductors.

Read and save these instructions

Introduction

These instructions are designed to tell you of the various technical details of your cooker hood and to make you familiar with its use. Since these instructions cover more than one type of hood within the same series, it may be that reference is made to components that do not form part of the hood that you are installing. The hood should be used in the exhaust version to discharge all the kitchen vapours and odours out-door of the building. Fittings can vary from country to country. We reserve the right to modify the product without any notice always with the aim of improvements and in compliance with the relevant norm.

Suggestions for using the hood in exhaust position

When an exhaust hood and a heat source requiring ambient air (e.g. gas, oil, coal stoves, etc.) are used at the same time, attention is required because the air necessary for combustion is exhausted from the room through the hood and this creates depression. There is no such danger when the maximum depression in the room is 0,04 mbar. In this condition no exhaust gas from the heat source is piped. To assure this condition, make openings in the room which cannot be closed (doors, windows, etc. are not sufficient) and through which the air necessary for combustion can freely flow.

Note: All the exhaust ductwork in the apartment or house should be studied. In case of doubts, get advice or authorisation from the person or agency responsible for the building.

N.B. Note: The efficiency of the exhaust hood decreases as the length of the ducts and number of elbows increase. When using the exhaust version, follow these rules: Do not connect the exhaust hood to chimneys, flues, and air ducts serving the room. Before venting into exhaust flues and ducts no longer in use, ask for the approval of the person or agency responsible for the building. The evacuated air must not be let into a warm air duct. For the evacuation of the exhausted air please note official instructions.

Installation

The hood must be mounted over the centre of the cooking area. The minimum distances between the cooking area and the underside of the hood are 650 mm (25"19/32).

Warning: If the room contains a flued fuel burning appliance which is not of the "balance flue" type make sure there is an adequate air inlet to the room at all times so that fumes are not drawn down the flue.

Note: The distances, however, are subject to the safety rules in effect in the various countries. Before drilling the wall make sure that no pipes or cables will be damaged. If there is no outer waste pipe for the exhaust version, an air outlet with a diameter of Ø160 mm (6"19/64) must be made through the wall.

Wall fixing of the cooker hood

Installation by means of the bracket supplied

- 1) Set the distance between the cooker hob and the hood (pict. 3).
- 2) Fix the bracket to the wall (pict. 4/A) by using the two screws and the two plugs supplied (pict. 4/B). In a few models four fixing screws may be required.
- 3) Only in case that you use the spigot reduction to 125 mm (4"59/64) (Fig. 4/L) fix it onto the motor outlet.
- 4) Hook or attach the hood to the bracket using the screws supplied and check carefully that it has been done properly. A few hoods may be supplied with specific screws for their horizontal or vertical adjustment (pict. 4/N).
- 5) In order to provide an exact installation the cooker hood (in the rear of the body) is supplied with two holes of 8 mm (5/16) diameter (pict. 4/S), where the two screws with plugs have to be inserted (pict. 4/Q). Insure that all parts are properly fixed and that it is impossible to touch moving parts.

Connection exhaust

Link a 150 mm (5"29/32) or 125 mm (4"59/64) diameter air outlet chimney to the spigot (pict. 4 and 4/M). This pipe is not supplied with the hood.

WARNING: TO REDUCE THE RISK OF FIRE, USE ONLY METAL DUCTWORK.

Attention: The appliance is provided with a supply cord and plug, the appliances must be positioned so that the plug is accessible.

Attention: if there are three wires in the electrical supply cable they must be connected as follows:

Green/yellow = ground -White = neutral -Black = line

Important: the hood manufacturer will not be responsible for any damage or loss caused by failure to observe these instructions. Important: a damaged power supply cord must be replaced by the service.

WARNING

GROUNDING INSTRUCTIONS

This appliance must be grounded. In the event of an electrical short circuit, grounding reduces the risk of electric shock by providing an escape wire for the electric current. This appliance is equipped with a cord having a grounding wire with a grounding plug. The plug must be plugged into an outlet that is properly installed and grounded.

WARNING - Improper grounding can result in a risk of electric shock.

Consult a qualified electrician if the grounding instructions are not completely understood, or if doubt exists as to whether the appliance is properly grounded.

Do not use an extension cord. If the power supply cord is too short, have a qualified electrician install an outlet near the appliance.

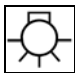
Using the cooker hood

The cooker hood should be switched on either before or at the same as cooking or frying commences. The filters are more effective if the fan is not switched off immediately after cooking or frying is completed, but only after a period of some 20-30 minutes. Before using the cooker hood please ensure that all plastic films like on metal grease filter and stainless steel ducting are removed.


User Instructions

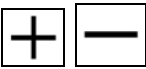
The cooker hood is equipped with the following functions (Fig.2):

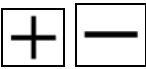


the symbol  shows the ignition key for the oven light (ON / OFF) (fig.2/1)




the symbol  shows the key switch ON/OFF of the motor aspirant (fig.2/2)



the symbols  shows the keys of the speeds of the motor. They increase and they decrease the speed of the motor (there are 4 levels of possible speeds) (fig.2/3)



the symbols  shows the key timer: the timer will run if the timer is pushed and will switch off the cooker hood after 15 minutes. (fig.2/4)

Lamp Replacement

The hood has a halogen lamp, take care to not touch it with your hands when you replace it. Use a dry and not greasy protection (for example a cloth) in order to avoid a direct contact with skin that could make the lamp break. Never use lamps with wattage higher than the one shown on the label inside the hood.

Safety rules

Do not do any flambé cooking underneath the hood. When frying, never leave the pan alone because the cooking oil could flare up. Clean all the surfaces frequently to avoid danger of fire. This can be done with a cloth or/and with a brush drenched with denatured alcohol or with any other similar substances, except for the button area (Fig. 2). It is also important to remove and clean or substitute frequently the filter installed in the hood.

Maintenance

NOTE: Prior to any maintenance, switch off and disconnect from electrical supply.

1) Under normal cooking conditions the grease filter should be cleaned every 10-15 days in hot water, to which a suitable detergent has been added. For reasons of efficiency and safety regular cleaning is advised. The grease filter may be subject to a small amount of shrinkage initially.

2) The outer casing of the Cooker Hood should be cleaned with a damp cloth.

Grease filter

This absorbs vapour-suspended grease particles and protects the kitchen and furniture from greasy residues. The filter should be washed every 10 to 15 days (in normal operating conditions). Dip the filter into a de-greaser solution or put it in the dishwasher. Make sure not to damage the filter, which is made of several layers of thin alloy, by hitting or crushing it. The aluminium filter may change colour, that will have no influence on the efficiency of the filter, may it improve it.

Replacing or clearing the filters

Just push the handle towards the rear, proceed with the cleaning and repeat the operation counter clockwise (Picl. 1/1). To remove the aluminium grease filter (Picl. 1/2), grab the opening tongue at the filter, pull it in your direction and move the filter downwards. To reinstall it operates reversed.

1) READ AND SAVE THESE INSTRUCTIONS

2) WARNING - TO REDUCE THE RISK OF A RANGE TOP GREASE FIRE:

- A. Never leave surface units unattended at high settings. Boilovers causes moking and greasy spii! overs that may ignite. Heat oils slowly on low o rmedium settings.
- B. Always turn hood ON when cooking at high heat or when flambeing food (Le.Crepes Suzette, Cherries Jubilee, Pep percorn Beef Flambe').
- C. Clean ventilating fans frequently. Grease should not be allowed to accumulate on fan or filter.
- D. Use proper pan size. Always use cookware appropriate for the size of the surface elemenl.

3) **WARNING-** To ReduceThe RiskOfFire OrElectricShock, Do Not Use This Fan With Any Solid-State Speed Control Device.

4) **WARNING - TO REDUCE THE RISK OF FIRE, ELECTRIC SHOCK, OR INJURY TO PERSONS, OBSERVE THE FOL LOWING:**

- A. Use this unit only in the manner intended by the manu facturer. If you have questions, contact the manufacturer.
- B. Before servicing or cleaning unit, switch power off at service panel and lock the servi ce disconnecting means to prevent power from being switched on accidentally. When the service disconnecting means cannot be locked, securely fasten a prominent warning device, such as a tag, to the service panel!

5) **CAUTION** - For Generai Ventilating Use Only. Do Not Use To Exhaust Hazardous Or Explosive Material And Vapors.

6) **WARNING - TO REDUCE THE RISK OF INJURY TO PERSONS INTHEEVENTOF ARANGETOP FIRE, OBSERVE THE FOLLOWING:**

A. **SMOTHER FLAMES** with a close-fitting lid, cookie sheet, or metal tray, then turn off the burner. **BE CAREFUL TO PREVENT BURNS.**

If the flames do not go out immediately. **EVACUATE AND CALL THE FIRE DEPARTMENT.**

- B. **NEVER PICK UP A FLAMING PAN-** You may be burned.
- C. **DO NOT USE WATER,** including wet dishcloths or towels - a violent steam explosion will result.
- D. Use an extinguisher **ONLY** if:
 - 1. You know you have a Class ABC extinguisher, and you already know how to operate it.
 - 2. The fire is small and contained in the area where it started.
 - 3. The fire department is being called.
 - 4. You can fight the fire with your back to an exit."

a. Based on "Kitchen Firesafety Tips" publissed by NFP A.

7) **WARNING - TO REDUCE THE RISK OF FIRE, ELECTRIC SHOCK OR INJURY TO PERSONS, OBSERVE THE FOLOWING:**

- A. Installation WorkAnd Electrical Wiring Must Be Done By Qualified Person(s) In Accordance With All Applicable Codes And Standards, Including Fire-Rated Construction.
 - B. Sufficient air is needed for proper combustion and exhausting of gases through the flue (chimney) offuel burning equipment to prevent backdrafting. Follow the heating equipment manufacturer's guideline and safety standards such as those published by the National Fire Protection Association (NFPA), and the American Society for Heating, Refrigeration, and Air Conditioning Engineers (ASHRAE) and the local code authorities
 - C. When cutting or drilling into wall or ceiling, do not damage electrical wiring and other hidden utilities.
 - D. Ducted fans must always be vented to the outdoors.
 - E. If this unit is to be installed over a tub or shower, it must be marked as appropriate for the application and be connected to a GFCI (Ground Fault Circuit Interrupter)- protected branch circuil.
 - F. **NEVER** piace a switch where it can be reached from a tub or shower.
- 8) **WARNING** - To reduce the risk offire, Use only metal ductwork.

HOTTE DE CHEMINÉE

INSTRUCTION POUR LE MONTAGE

Précautions importantes à suivre:

- Ne pas lier la hotte à cheminée, tubes et conduits d'air indispensable-à la pièce.
- L'air qui est aspirée ne doit pas être émis par un conduit d'air chaud.
- Cet appareil doit être joint à une installation qui se fournit à terre ou par une évacuation à terre.
- Durant le nettoyage de l'appareil il est préférable débrancher la prise de courant.
- Ne pas effectuer de cuisson à flamme haute sous la hotte.
- Attention, ne pas perdre de vue la casserole quand vous faites frire car l'huile peut s'enflammer.
- Nettoyer souvent toutes les surfaces pour éviter le risque d'incendie. Utilisez un chiffon ou une brosse imprégné d'alcool dénaturé. Il est également très important enlever et nettoyer ou remplacer souvent le filtre installé dans la hotte.
- Il est nécessaire utiliser des plans de cuisson de la même largeur que la hotte.
- Ne rien toucher en présence d'un câble d'alimentation ou prise de courant endommagés. Désinsérer l'appareil et le faire examiner par un centre de service autorisé pour la réparation ou l'éventuelle substitution.
- Ne pas placer le câble d'alimentation sous la moquette. Ne pas couvrir le câble d'alimentation sous tapis ou recouvrements similaires. Faire en sorte que le câble d'alimentation ne soit pas placé sur un lieu de passage. Les éventuelles connections devront être protégées de contact avec tout éléments coupants ou abrasifs afin de sauvegarder l'isolation du câble électrique

Lire et garder ces instructions.

Introduction

Cette description a été rédigée pour faire connaître les diverses caractéristiques techniques et les modalités d'utilisation de l'appareil acquis. Ces descriptions sont valables pour différents types d'appareil. Ainsi vous pouvez trouver des indications relatives à des éléments dont votre hotte n'a pas. Il est préférable utiliser la hotte en version aspirante pour permettre aux odeurs et aux vapeurs qui se sont créés durant la cuisson, de s'évacuer à l'extérieur. Les accessoires peuvent varier de pays à pays. Nous nous permettons de modifier le produit sans préavis en cherchant toujours de l'améliorer et en respectant les normes.

Conseils pour l'utilisation de la hotte en position aspirante.

Durant le fonctionnement simultané d'une hotte aspirante et d'une source de chaleur qui a besoin de l'air de l'habitat (comme par exemple le chauffage à gaz, à l'huile, au charbon etc.) il faut faire très attention parce qu'à travers la hotte celle-ci aspire du milieu, l'air qu'elle a besoin pour la combustion, elle crée ainsi une dépression. On obtient un fonctionnement sans incident quand dans le milieu il y a une dépression maximale de 0.04 mbar, ainsi dans ces conditions on évite l'appel de gaz de l'évacuation de la source de chaleur. Ce résultat est obtenu en créant dans le milieu des ouvertures qui ne peuvent être fermées (les portes, les fenêtres, etc.. ne sont pas appropriées.) et par lesquelles l'air nécessaire pour la combustion peut affluer librement.

Note - Pour donner un avis il faut considérer, en réalité, tout le conduit de la décharge prévu dans l'appartement. En cas de doute il est préférable demander conseil ou se faire donner l'autorisation du responsable de l'immeuble.

N.B. Plus il y a de déviations du tube de décharge et plus il est long, moins efficace sera la hotte aspirante. Lorsque la hotte aspire, il faut faire attention aux prescriptions suivantes. En ce qui concerne le fixation de la hotte aspirante il est interdit de joindre l'évacuation aux conduits de cheminées, aux canaux de décharges et aux conduits pour l'aération de lieux explosifs. En faisant des évacuations à travers des cheminées ou des canaux de décharges hors d'usage il est alors conseillé de se faire faire une autorisation par le responsable compétent de l'immeuble. L'air évacué ne doit pas être émis par un conduit d'air chaud. En ce qui concerne l'air aspiré il faut prêter attention aux prescriptions officielles.

Montage

Le montage de la hotte au mur

La hotte doit être positionnée au centre du plan de cuisson. La distance minimum entre le plan de cuisson et la surface inférieure de la hotte doit être de 650 mm (25"19/32).

N.B. Des distances ainsi, sont quoi qu'il en soit, sujet aux normes de sécurité en vigueur dans les différents pays. Avant de percer le mur il faut s'assurer qu'aucun tuyau ne sera endommagé. En cas d'absence de tuyau d'évacuation à l'externe de l'immeuble pour la version aspirante, il faudra faire une prise d'air au mur de diamètre Ø160mm (6"19/64).

Montage avec l'étrier (en dotation)

- 1) Établir la distance entre le plan de cuisson et la hotte (Fig. 3)
- 2) Fixer l'étrier au mur (Fig. 4/A) à travers les deux vis et les deux chevilles (Fig. 4/B). Pour certains modèles, les vis de fixation de l'étrier peuvent être quatre.
- 3) Seulement au cas où est utilisé un adaptateur de 125 mm (4"59/64) il faut fixer la bride de raccordement (Fig.4/L) sur la sortie du moteur.
- 4) Accrocher la hotte au conduit de fumée ou fixer la hotte au conduit à travers les vis qui vous ont été données, selon le type de conduit, en contrôlant que vous avez effectué correctement toutes les indications. Certains modèles peuvent avoir des vis à rotation appropriées pour le nivellement ou le réglage vertical. (Fig. 4/N).
- 5) Pour une correcte installation, la hotte est fournie (sur la partie postérieure de la coque) de deux trous Ø 8 mm (5/ 16) (Fig. 4/S) ou viennent s'insérer deux vis qui la bloquera au mur avec des chevilles (Fig. 4/O). Assurez-vous bien que toutes les parties soient fixées correctement et que celles en mouvement soient bien protégées.

Branchement de la partie aspirante.

Si vous avez le modèle aspirant, il est nécessaire de joindre à la coque un conduit de Ø 150 mm (5" 29/32) ou de Ø 125 mm (4"59/ 64), qui permettra la prise d'air. Ce conduit n'est pas fourni avec le matériel, (Fig.4 e 4/M).

Attention pour réduire le risque d'Incendie, n'utiliser que des conduits en métal. S'assurer que toutes les parties soient fixées correctement et que celles en mouvement soient bien protégées.

Assemblage électrique

Contrôler que l'alimentation électrique correspond à celle qui est indiquée sur le manuel de l'appareil.

Attention: Si l'appareil a trois fils colorés dans le conducteur électrique, il faut les interpréter ainsi :

Jaune/vert = Terre - Blanc = Neutre - Noir = Ligne

N.B. La maison de fabrication ne prend aucune responsabilité au cas où les précautions à prendre n'ont pas été respectées. N.B. Si le conducteur électrique est endommagé adressez-vous au service d'après-vente.

AVIS DE MISE A TERRE

Cet appareil doit être mis à terre. En cas de court circuit électrique, la mise à terre réduit le risque de secousse électrique à travers le câble de fuite. Cet appareil est équipé d'un câble d'alimentation comprenant un câble de mise à terre relié à la prise de terre. La prise électrique mâle doit être insérée dans une prise électrique femelle correctement installée et mise à terre.

AVIS - Une mise à terre non conforme peut-être un risque de secousse électrique.

Consulter un électricien qualifié si les instructions de mise à terre ne sont pas saisies ou s'il existe des doutes sur la mise à terre correcte de l'appareil.

Ne pas utiliser de rallonge. Si le câble d'alimentation électrique est trop court, veuillez consulter un électricien qualifié pour le montage

Mode d'emploi

La hotte doit être utilisée au début de la cuisson. L'efficacité des filtres insérés augmente si la hotte s'éteint après environ 20-30 minutes après la cuisson. Avant d'utiliser la hotte, enlever toutes les feuilles de protection comme par exemple sur les filtres en aluminium pour la graisse ou sur les tubes en inox.

Mode d'emploi de la hotte

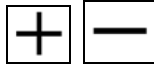
La hotte est dotée des suivants commandements (Fig.2) :



le symbole indique le touche d'allumage de la lumière (ON/OFF) (Fig.2/1)



le symbole indique le touche d'allumage moteur aspirant (ON/OFF) (Fig.2/2)



le symbole ils augmentent et diminuent la vitesse du moteur (il y a 4 niveaux de vitesses possibles) (Fig.2/3)



le symbole indique le temps: lorsque la hotte est allumée, si on appuie sur ce bouton après 15 minutes la hotte s'éteint automatiquement. (Fig.2/4)

Modification des lampes.

Votre hotte est dotée de lampe halogène. Attention de ne jamais toucher avec les mains la lampe halogène quand vous la changez. Utiliser une protection qui n'est pas humide et qui n'est pas huileuse (comme par exemple un chiffon sec) pour éviter le contact direct avec la peau si non, l'ampoule peut griller. Ne jamais utiliser d'ampoule avec une puissance supérieure à celle indiquée sur l'étiquette située à l'intérieur de la hotte.

Norme de sécurité

Il est interdit de cuisiner à flamme haute sous la hotte. Si vous faites de la friture, il faut ne jamais perdre de vue la friteuse durant toute la cuisson car l'huile qui s'y trouve peut s'incendier. Nettoyer souvent le plan de cuisson afin d'éviter le danger d'incendie. Vous pouvez le nettoyer avec un chiffon et/ou un pinceau trempé dans l'alcool dénaturé ou avec un dérivé de l'alcool, surtout ne jamais nettoyer avec ce produit la zone des commandes (Fig. 2). Il est également conseillé de démonter et nettoyer ou de remplacer souvent chaque filtre installé dans la hotte.

Entretien

N.B. En cas d'entretien la fiche de la prise de courant. L'air qui contient les vapeurs et les odeurs est tout d'abord aspiré à travers le filtre pour les graisses. L'appareil est efficace seulement si les filtres sont en bonne condition.

Le filtre pour les graisses

Il absorbe les particules de graisses qui se trouvent dans les vapeurs et il protège ainsi la cuisine et les meubles des résidus de substances grasses. Il doit être lavé tous les 10-15 jours (s'il est utilisé souvent), en le trempant dans un produit dégraissant ou en le mettant dans le lave vaisselle. Il faut faire très attention de ne pas endommager le filtre en le heurtant ou en l'écrasant car il est constitué de plusieurs couches d'alliage peu épais. Le filtre en aluminium peut se foncer; cet effet n'influence en aucun cas l'efficacité du filtre, au contraire il peut l'améliorer.

Changement ou nettoyage.

Il suffit simplement de tirer la poignée vers le bas pour pouvoir nettoyer celle-ci et faire à nouveau la même opération en sens inverse (Fig. 1/1). Pour enlever le filtre en aluminium (Fig.1/2), prendre le filtre à la languette d'ouverture, la plier vers soi-même et abaisser le filtre en avant, faire à nouveau le même procédé en sens inverse pour le repositionner.

1) LISEZ ET CONSERVEZ CES INSTRUCTIONS

2)Attention : pour réduire le risque d'incendie de graisse sur le plan de cuisson :

A.Ne laisser jamais sans surveillance les fourneaux quand vous cuisinez à une température élevée. En se chauffant trop, cela crée des fumées et des éclaboussures de graisses qui peuvent s'enflammer. Chauffer lentement et à basse flamme l'huile.

B.Allumer toujours la hotte quand vous cuisinez à température élevée ou quand vous faites un flambé (par exemple : Crepes Suzette, Cherries Jubilee, Peppercorn Beef Flambé).

C.Avoir toujours propre les filtres et les superficies sales de graisses. La graisse ne doit pas se déposer dans la hotte ou dans les filtres.

D.Utiliser toujours des casseroles et des ustensiles appropriés au type de fourneau utilisé et à la quantité de nourriture que vous cuisinez.

3)ATTENTION: pour réduire le risque d'incendie ou de court circuit n'utilisez en aucun cas cet appareil sans réglementation de la vitresse permanente.

4)ATTENTION: POUR RÉDUIRE LE RISQUE D'INCENDIE ET DE COURT CIRCUIT ET POUR NE CAUSER AUCUN DANGER À AUTRUI OBSERVER ATTENTIVEMENT LES POINTS SUIVANT:

A.Utiliser cet appareil seulement comme il a été conçu par son producteur. Si vous avez quelque demande à faire, il suffit simplement de le contacter.

B.Avant de réparer ou de nettoyer l'appareil appuyer sur le bouton OFF sur le tableau de contrôle et bloquez-le de façon à empêcher qu'il soit allumé par erreur. Quand les interrupteurs ne peuvent être bloqués, appliquer une étiquette d'avertissement à côté du panneau de contrôle.

5)ATTENTION: seulement en cas de ventilation générale. Ne pas utiliser de matériaux et de vapeurs dangereux ou explosifs pour aspirer.

6)ATTENTION: POUR ÉVITER LE RISQUE DE SE BLESSER EN CAS D'INCENDIE DE GRAISSE SUR LE PLAN DE CUISSON OBSERVER LES CONSEILS SUIVANT:

A.ABBAISSER LA FLAMME avec un couvercle adhérent, un couvercle en filet ou un plateau en métal, ensuite éteignez les fourneaux. FAITES ATTENTION DE NE PAS VOUS BRULER. Si vous n'êtes pas capables d'éteindre les flammes ALLEZ DEHORS ET APPELEZ LES POMPIERS.

B.NE PRENER JAMAIS UNE CASSEROLE EN FLAMME ENTRE LES MAINS car vous risquez de vous brûler.

C.N'UTILISER PAS D'EAU pas de chiffon ou de serviette mouillée car vous pouvez créer une explosion de vapeur.

D.Utiliser l'extincteur SEULEMENT dans le cas suivant : 1.Si vous avez un extincteur de classe ABC et seulement si vous savez l'utiliser.

2.Seulement s'il y a peu de feu et s'il est contenu dans la pièce où il a pris.

3.Si vous avez contacté les sapeurs pompiers.

4. Vous pouvez faire face au feu en ayant tourné le dos à la sortie.

7) ATTENTION: POUR RÉDUIRE LE RISQUE D'INCENDIE ET DE COURT CIRCUIT ET POUR NE CAUSER AUCUN DANGER À AUTRUI OBSERVER ATTENTIVEMENT LES POINTS SUIVANT:

A.L'opération d'installation et de branchement électrique doivent être fait par un personnel qualifié selon tous les codes et les normes appliquées, incluant la classification d'incendie.

B.Il est nécessaire que la pièce soit bien aérée pour avoir une combustion correcte et pour l'aspiration des gaz à travers le conduit d'évacuation pour l'appareil à combustion et pour prévenir dans le cas où il y aurait un appel d'évacuation. Suivre les instructions et les normes de sécurité du producteur de chauffage (voir celle publiée par la National Fire Protection Association : NFPA et celle de la American Society for Heating, Refrigeration and Air Conditioning Engineers : ASHRAE et les prescriptions des autorités locales.

C.Lorsque vous coupez ou forez un mur ou un plafond faites attention à ne pas endommager les branchements électriques ou les autres installations cachées.

D.Les appareils pour aspirer doivent avoir une évacuation externe.

E.Si cette unité est installée près d'une baignoire ou d'une douche, il faut qu'elle ait le marque d'aptitude pour ce type d'application et qu'elle soit branchée à un interrupteur différentiel avec un circuit de dérivation protégé.

F.Ne JAMAIS mettre l'interrupteur à côté d'une baignoire ou d'une douche.

8)Pour réduire le risque d'incendie, n'utiliser que des conduits en métal.