

# BERTAZZONI PROFESSIONAL SERIES

## 36" 6-BURNER, GAS OVEN

### PRO36 6 GAS X

#### HIGHLIGHTS

- Bertazzoni's exclusive power burners in brass have independently operated flame rings giving maximum flexibility of operation from delicate low simmer to full power.
- The soft-motion oven door is specially designed and carefully balanced for easy opening and smooth closing with one hand.



TO COOK BEAUTIFULLY  
WWW.BERTAZZONI.COM

#### FEATURES

<b>Gas burners</b>	5
<b>Burner type</b>	brass
<b>Maintop</b>	one piece stainless steel sheet
<b>Burner controls</b>	knobs
<b>Knobs</b>	metal finish
<b>Grates</b>	cast iron
<b>Backguard</b>	standard 4 inches
<b>Gas safety device</b>	thermocouple technology
<b>One hand ignition</b>	standard
<b>Standard accessories</b>	wok ring & simmer plate
<b>Dual Power burner</b>	750 - 18,000 Btu/h
<b>Rapid burner</b>	11,000 Btu/h
<b>Semi-rapid burner</b>	6500 Btu/h
<b>Auxiliary burner</b>	3400 Btu/h
<b>Simmer rate</b>	750 Btu/h
<b>Main oven</b>	gas convection with gas infrared broiler
<b>Main oven functions</b>	traditional bake, gas convection, broil, defrost/dehydrate, sabbath mode
<b>Main oven volume</b>	4.4 ft <sup>3</sup>
<b>Inner oven door</b>	full - width triple glass
<b>Oven equipment</b>	1 telescopic glide shelf, 1 baking tray, 2 heavy gauge wire shelves, 1 grill trivet for tray
<b>Legs</b>	flap storage compartment height adjustable stainless steel wrapped legs

#### TECHNICAL SPECIFICATIONS

<b>Voltage, frequency</b>	120 V, 60Hz
<b>Max Amp Usage, power rating</b>	1.5 A - 150 W
<b>Certification</b>	CSA
<b>Warranty</b>	2 years parts and labor

#### ACCESSORIES

Toe kick panel (TKS 36 X), flat island trim (IRF 36 X), side trim (ST 36 X)

Available LPG version PRO36 6 GAS X LP

A LP conversion kit for all burners is included

#### MATCHING VENTILATION SOLUTIONS

Bertazzoni offers a variety of matching ventilation solutions for this range. Please check our website under the ventilation tab for a complete overview of all choices

#### COLORS OF ITALY

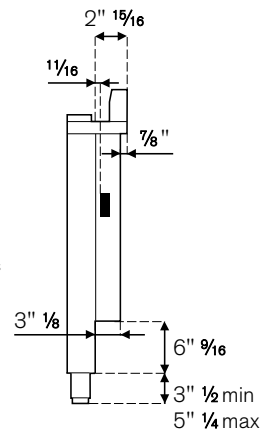
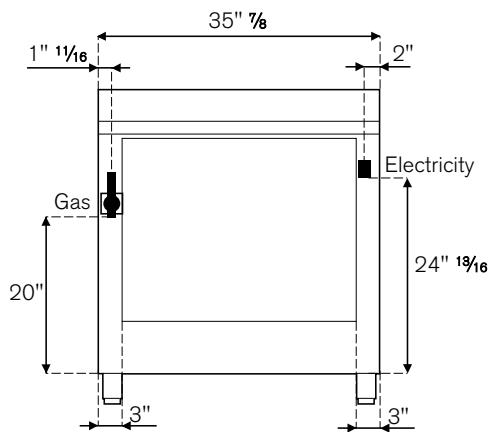
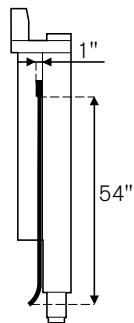
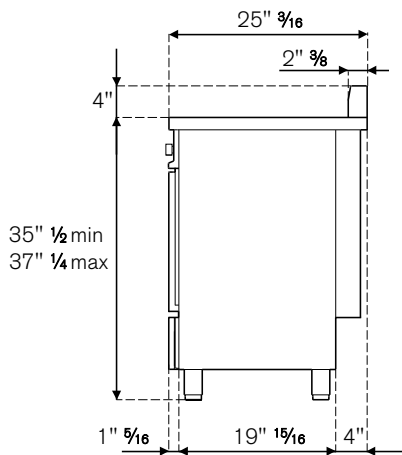
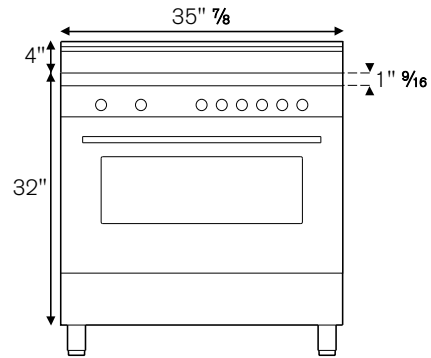
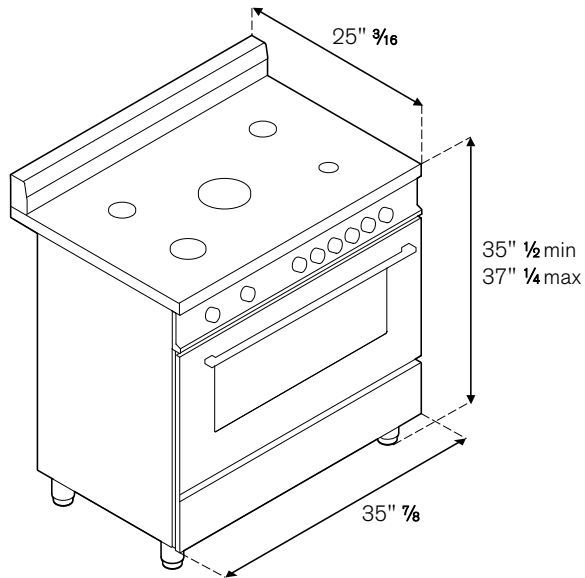
Color is an essential expression of Italian exuberance and artistic elegance. Bertazzoni celebrates these special qualities with seven color choices inspired by the wonderful produce of Emilia-Romagna, heartland of Italian food since Roman times.



STAINLESS STEEL    NERO BLACK    BIANCO PURE WHITE    GIALLO YELLOW    ARANCIO ORANGE    ROSSO RED    VINO BURGUNDY

# INSTALLATION INSTRUCTIONS

## PRO36 6 GAS X



Bertazzoni recommends to operate the appliance after it has been installed in a cabinet. The kitchen cabinets shall be made of materials capable of withstanding temperatures at least 117°F (65°C) above room temperature in order to avoid possible damage to the cabinets during oven usage. For further installation instructions refer to the installation manual.

**Disclaimer:** while every effort has been made to insure the accuracy of the information contained in this brochure, Fratelli Bertazzoni reserves the right to change any part of the information at any time without notice.

Fratelli Bertazzoni, Bertazzoni and the winged wheel brand icon are registered trademarks of Bertazzoni Spa.