

Miele

Operating and Installation Instructions



External Blower DAG 1000

To prevent accidents
and appliance damage,
read these instructions

before
installation or use.

en - US, CA

M.-Nr. 07 915 550

IMPORTANT SAFETY INSTRUCTIONS	4
Functional description	6
Appliance dimensions	7
Installation	8
Preparation	9
Installation on an external wall	9
Installation on a roof	9
Air extraction	11
Electrical connection	12
After Sales Service	14
Caring for the environment	15

IMPORTANT SAFETY INSTRUCTIONS

READ AND SAVE THESE INSTRUCTIONS

Keep these operating instructions in a safe place and pass them on to any future user.

Read these Instructions carefully before installing or using the Ventilation System.

- ▶ This appliance is intended for residential use only. Use the appliance only for its intended purpose.
- ▶ This appliance complies with current safety requirements. Improper use of the appliance can lead to personal injury and material damage.

CAUTION **For General Ventilating Use Only. Do Not Use To Exhaust Hazardous Or Explosive Materials And Vapors.**

- ▶ This appliance is designed to vent cooking smoke and odors only.
- ▶ This appliance is not intended for outdoor use.

This appliance must not be used in a non-stationary location (e.g. on a ship).

WARNING **TO REDUCE THE RISK OF FIRE, ELECTRIC SHOCK, OR INJURY TO PERSONS, OBSERVE THE FOLLOWING:**

- ▶ a) Use this appliance only in the manner intended by the manufacturer. If you have questions, contact Miele.
- ▶ b) Before servicing or cleaning the appliance, switch power off at the service panel and lock the service disconnecting means to prevent power from being switched on accidentally. If the service disconnecting means cannot be locked, securely fasten a prominent warning device, such as a tag, to the service panel.
- ▶ c) Be certain your appliance is properly installed and grounded by a qualified technician. To guarantee the electrical safety of this appliance, continuity must exist between the appliance and an effective grounding system. It is imperative that this basic safety requirement be met. If there is any doubt, have the electrical system of the house checked by a qualified electrician.

IMPORTANT SAFETY INSTRUCTIONS

▶ d) Before connecting the appliance to the power supply make sure that the voltage and frequency listed on the data plate correspond with the household electrical supply. This data must correspond to prevent appliance damage. If in doubt consult a qualified electrician.

▶ e) Installation work and repairs should only be performed by a qualified technician in accordance with all applicable codes and standards. Repairs and other work by unqualified persons could be dangerous.

▶ f) Only open the housing as described in the enclosed "Installation diagram" and in the "Cleaning and care" section of this manual. Under no circumstances should any other parts of the housing be opened. Tampering with electrical connections or components and mechanical parts is highly dangerous to the user and can cause operation faults.

▶ g) Before discarding an old appliance, disconnect it from the power supply and remove the power cord to prevent hazards.

Use

▶ Do not use a steam cleaner to clean the appliance. Steam could penetrate electrical components and cause a short circuit.

Installation

⚠ WARNING
TO REDUCE THE RISK OF FIRE, ELECTRIC SHOCK, OR INJURY TO PERSONS, OBSERVE THE FOLLOWING:

▶ a) Installation work and electrical wiring must be done by qualified person(s) in accordance with all applicable codes and standards, including fire-rated construction.

▶ b) Sufficient air is needed for combustion and exhausting of gases through the flue (chimney) of fuel burning equipment to prevent back drafting. Follow the heating equipment manufacturer's guideline and safety standards such as those published by the National Fire Protection Association (NFPA) and the American Society for Heating, Refrigeration and Air Conditioning Engineers (ASHRAE), and the local code authorities.

▶ c) When cutting or drilling into the wall or ceiling, do not damage electrical wiring and other hidden utilities.

▶ d) Ducted hoods must always be vented to the outdoors.

▶ e) Any fittings, sealant, or materials used to install the ductwork must be made of approved non-flammable materials.

⚠ WARNING
TO REDUCE THE RISK OF FIRE USE ONLY METAL DUCTWORK.

Functional description

The external blower should only be used in combination with Miele ventilation systems DA 6480 or DA 6490.

It must be mounted outside the kitchen on an external wall or on the roof.

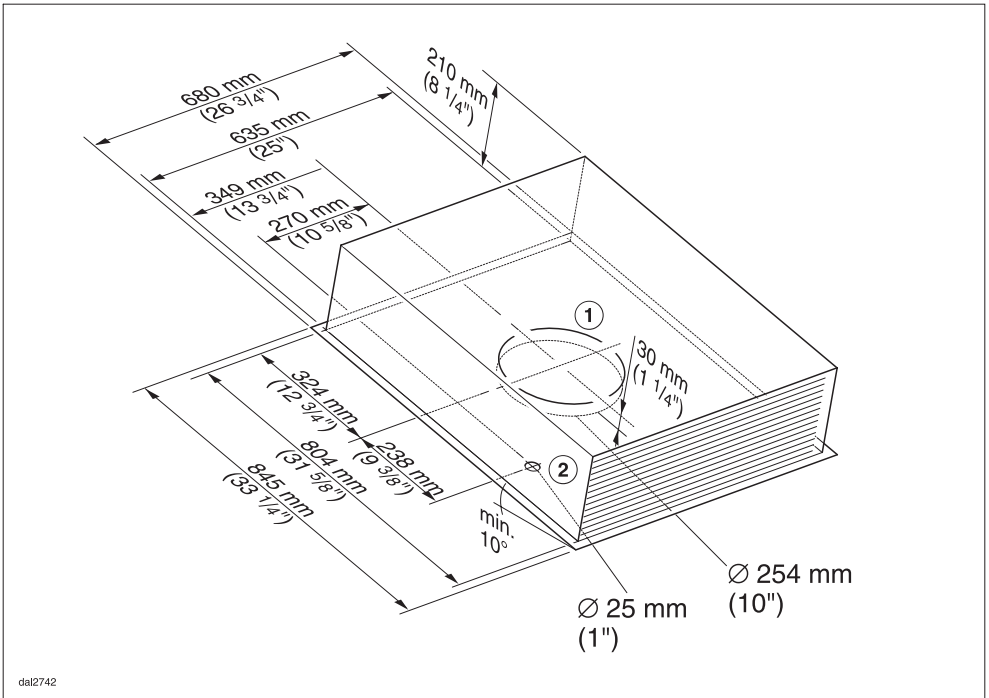
The external blower is connected to the ventilation system by an exhaust duct and power cord. It is operated by means of the ventilation system control panel.

The external blower is equipped with a non-return flap so that no exchange of outside air and room air can occur when the ventilation system is shut off.

It is closed when the ventilation system is off.

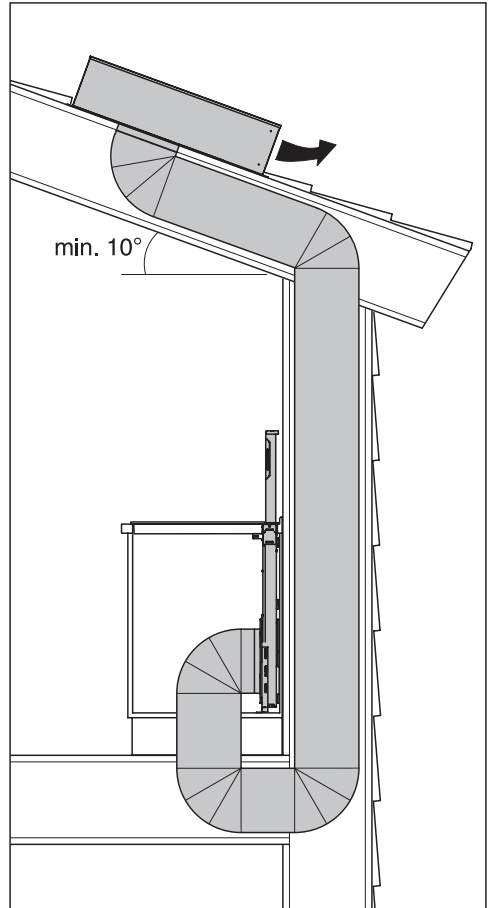
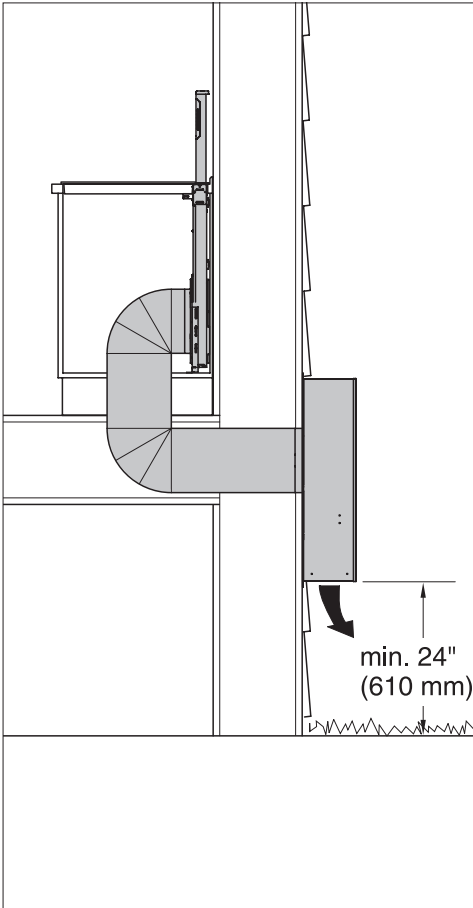
When the blower is turned on, the non-return flap opens so that the exhaust air can be transported outside.

Appliance dimensions



- ① Exhaust air connection
- ② Power cord feed-through (strain relief)

Installation



Example: Installation on an external wall

Example: Installation on a roof

The exhaust connection can be connected to either the front or back of the downdraft. For more information see the installation diagram for the downdraft.

Preparation

- Remove all packaging.
- Unscrew and remove the six screws on the blower cover.
- Unscrew the two screws on the terminal box and remove the cover. Install a UL/CSA-approved cable clamp in the power cord feed-through (strain relief). Locate it so that it is accessible from the blower.
- Close the terminal box and the replace the blower cover.

Installation on an external wall

Select a suitable installation location.

- Make sure that there are no supporting elements in the wall at the selected location. The same applies for power cords and pipes.
- Install the external blower with the exhaust outlet facing downwards.
- The distance between the exhaust outlet and the ground must be at least 24" (61 cm).
- The external blower must be installed on a level surface.
If necessary, remove the wall covering at the installation location.
- Make an 11" hole (28 cm) for the exhaust duct and a hole for the power cord 1 1/4" (3 cm).
- Apply a sealant along the outside edge on the rear wall of the blower housing.

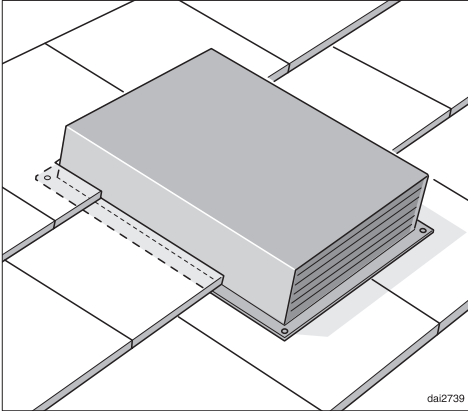
- Mount the external blower on the external wall using four suitable screws.
- Seal the screw heads.

Installation on a roof

Select a suitable installation location.

- The angle of the roof must be at least 10°.
For installation on a flat roof, consult a qualified contractor.
- Make sure that there are no supporting elements in the roof at the installation location. The same applies for power cords and pipes.
- The exhaust outlet must face down and away from the main wind direction.

Installation



If unsure or unfamiliar with these installation procedures, please contact a qualified contractor.

- The external blower and the ventilation system are connected by a 10" (254 mm) exhaust duct \varnothing (see "Air extraction"). Mount the provided connection plate on the ventilation system (see installation instructions DA 6480, 6490).
 - Install a UL/CSA-approved power cord (see "Electrical connection").
- Remove the roof shingles at the installation location. Make the cut such that the upper and side edges of the housing frame sit under the roof covering and the lower edge sits over the roof covering.
 - Make an 11" hole (28 cm) for the exhaust duct and power cord feed-through (strain relief 1 1/4" (3 cm)).
 - Fasten the external blower with four suitable screws.
 - Seal the screw heads.
 - Seal the roof covering all the way around the housing.

 **WARNING**

Danger of toxic fumes.

Gas cooking appliances release carbon monoxide that can be harmful or fatal if inhaled.

To reduce the risk of fire and to properly exhaust air, the exhaust gases extracted by the hood should be vented outside of the building only.

Do not vent exhaust air into spaces within walls or ceilings or in attics, crawl spaces or garages.

To reduce the risk of fire, only use metal ductwork.

Please read and follow the **"IMPORTANT SAFETY INSTRUCTIONS"** to reduce the risk of personal injury. Follow all local building codes when installing the hood.

Exhaust ducting and connections

- The ducting should be as short and straight as possible, and the number of sharp bends should be minimized.
- For most efficient air extraction, the diameter of the ductwork should not be less than 10" (254 mm). Use of flat ducts also reduces the air extraction efficiency.
- Noise levels of the hood will increase if flat ducts or round ducts of less than 10" (254 mm) in diameter are used.
- Use smooth or flexible pipes made from approved non-flammable materials for exhaust ducting.
- Where the ductwork is horizontal, it must slope away from the hood at least $\frac{1}{8}$ " per foot (1 cm per meter) to prevent condensation dripping into the appliance.

Important

If the ductwork runs through rooms, ceilings, garages, etc. where temperature variations exist, it may need to be insulated to reduce condensation.

Electrical connection

⚠ WARNING
TO REDUCE THE RISK OF
FIRE, ELECTRIC SHOCK, OR
INJURY TO PERSONS,
OBSERVE THE FOLLOWING:

All electrical work should be performed by a qualified electrician in strict accordance with national regulations (for USA: ANSI-NFPA 70) and local safety regulations. Installation, repairs and other work by unqualified persons could be dangerous. Ensure that power to the appliance is off while installation or repair work is performed.

This external blower may only be operated with Miele DA 6480 or DA 6490 ventilation systems.

- Verify that the voltage, load and circuit rating information found on the data plate, match the household electrical supply before installing the blower.

If there is any question concerning the electrical connection of this appliance to your power supply, please consult a licensed electrician or contact Miele's Technical Service Department. See back cover for contact information.

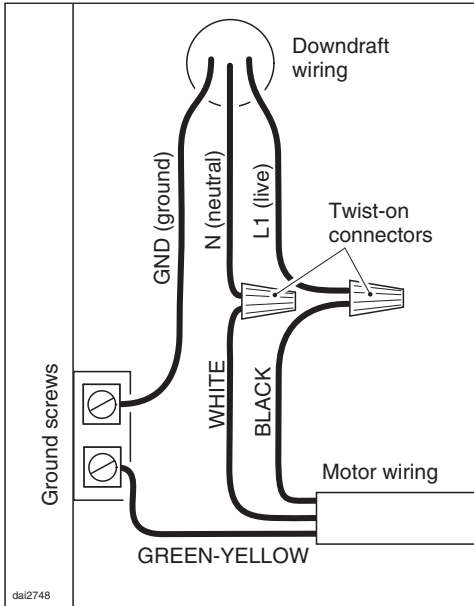
WARNING:
THIS APPLIANCE MUST BE
GROUNDED

Important : To increase security before the machine is installed, it is recommended to install a protective switch (30 mA).

- Remove the cover from the external blower.
- Remove the cover of the terminal box.
- Install a suitable UL listed cable clamp or conduit fitting at the power cord feed-through (strain relief).
- Install a power cord to the ventilation system. Flexible armored or nonmetallic cable must be used. Wire sizes must conform to the requirements of the National Electrical Code ANSI/NFPA 70 — latest edition or Canadian Electrical Code, C22.1 and C22.2 No. 113-M1984 (or latest edition), and all local codes and ordinances. 14 gauge wire (minimum) is recommended. A U.L./CSA-listed strain relief must be provided at each end of the power cord.
- Pass the power cord through the strain relief.

Important

The ventilation system must be hard wired as follows:



Maximum load	210 W
Voltage	120 V
Frequency	60 Hz
Circuit Rating	15 A

Black wire: connect to L1 (live)
White wire: connect to N (neutral)
Green-yellow wire: . . . connect to GND
. (ground)

- The remote blower must be connected to the ventilation system wiring as described in the manual for DA 6480/6490.
- Close the terminal box.
- Close the cover of the external blower.
- Turn the power supply back on.

After Sales Service

Repairs

In the event of a fault which you cannot easily fix yourself, please contact the Miele Technical Service Department.

- When contacting the Technical Service Department, please have the model and serial number of your appliance available.

These can be found on the data plate located on the housing above the connection box.

Disposal of packing material

The cardboard box and packing materials protect the appliance during shipping. They have been designed to be biodegradable and recyclable. Please recycle.



DANGER

Ensure that any plastic wrappings, bags, etc., are disposed of safely and kept out of the reach of babies and young children. Danger of suffocation!

Disposal of an old appliance

Old appliances may contain materials that can be recycled. Please contact your local recycling center about the possibility of recycling these materials.

Before discarding an old appliance, disconnect it from the electrical supply and cut off the power cord to prevent it from becoming a hazard.

**Please have the model and serial number
of your appliance available before
contacting Technical Service.**



U.S.A. Miele, Inc.

National Headquarters

9 Independence Way
Princeton, NJ 08540
Phone: 800-843-7231
609-419-9898
Fax: 609-419-4298
www.mieleusa.com

Technical Service & Support Nationwide

Phone: 800-999-1360
Fax: 888-586-8056

TechnicalService@mieleusa.com

Canada Miele Limited

Headquarters and Showroom

161 Four Valley Drive
Vaughan, ON L4K 4V8
Phone: 800-643-5381
905-660-9936
Fax: 905-532-2290
www.miele.ca
professional@miele.ca
(commercial enquiries)

MieleCare National Service

Phone: 800-565-6435
905-532-2272
Fax: 905-532-2292
customercare@miele.ca
(general and technical enquiries)

Germany

Miele & Cie. KG
Carl-Miele-Straße 29
33332 Gütersloh

